



# TECHNICAL DATASHEET

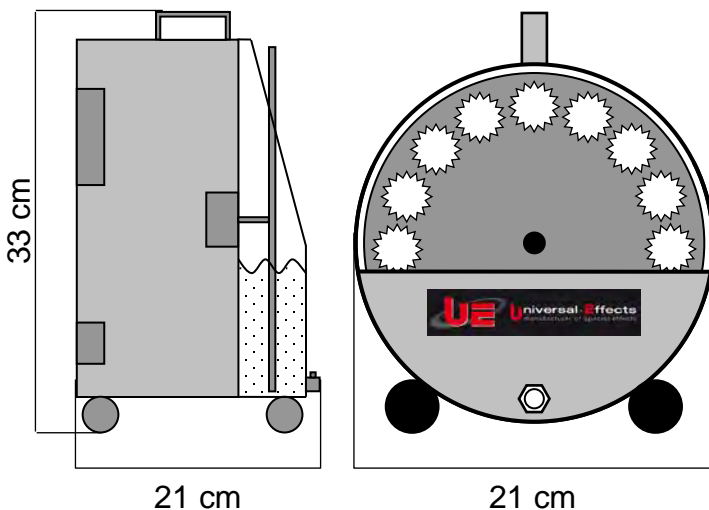
## UE Bubble Large

Item Code : PFPBBU002001

This bubble machine is designed to create bubbles with a diameter of 8 to 12 cm.  
It is designed to work either posed or hung.  
Entirely made of aluminum, it is solid and made to last.

### NOMENCLATURE :

- 1 x UE Bubble Large
- 1 x Power Cable 1.5m IEC



### TECHNICAL SPECIFICATIONS :

Size : 21 x 28 x 33 cm

Weight : 3,4 Kg

Electrical Specifications :  
220V – 50Hz – 100W

### FEATURES:

- Capacity: 1.8 liters
- The tank is equipped with a plug for emptying the bubble liquid.
- The UE Bubble Large is equipped with a carrying handle also used for hanging under structure.
- Produces bubbles with a diameter of 5 to 8cm.

### CONSUMABLES :

- XT- Bubble Fluid RTU, ready to use. Exists in UV model: FLUO.
- XT- Bubble Fluid CC, diluted to 50% in water. Exists in UV model: FLUO.

### CONSUMPTION :

- Consumption in XT-Bubble Fluid RTU (ready-to-use liquid bubble): 1.5 L / h.
- Consumption in XT-Bubble Fluid CC (concentrated bubble fluid): 0.75 L / h.

Made of ALUMINUM and INOX, UE Bubble Large is built to last. Each element has been chosen for its quality and efficiency.

**Universal Effects, La qualité et l'innovation Fabriqué en France**

Universal Effects est une Marque fabriquée et distribuée par la société Premium Factory SAS  
1 Route Neuve, 71710 MONTCENIS - FRANCE | Email info@premiumfactory.eu | www.premiumfactory.eu  
Société Anonyme Simplifiée au capital de 1 000 € | Siret 840 703 797 00018 | VAT Nr: FR47840703797