



TECHNICAL DATASHEET

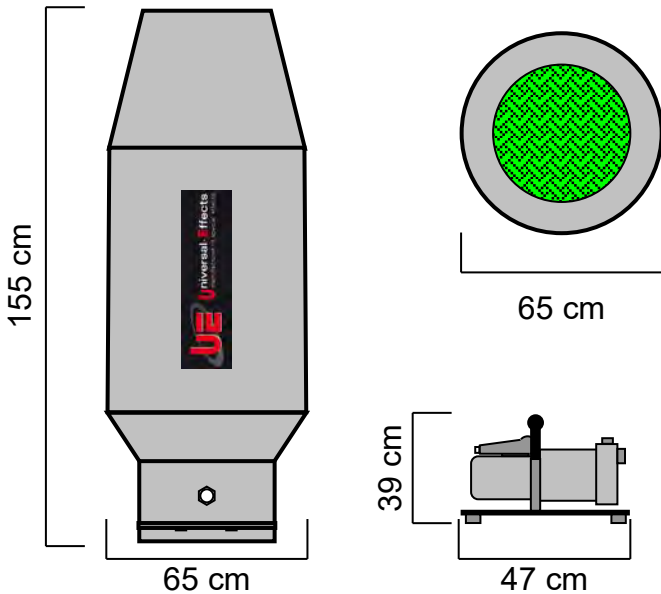
UE Head Jet-Foam 500

Item Code : PFPFJF001211

The UE Head Jet-Foam is powerful, reliable and produces quality foam.
The foam is produced inside the head and is projected continuously.
By mounting the machine on one of our turrets, you can water the track, the stage or the pool very easily by a very playful sweep.
Built in aluminum, this head is light despite its size.
Delivered complete with its pump on support and all necessary hoses.

NOMENCLATURE :

- 1 x UE Head Jet-Foam 500
- 1 x Pump 500
- 1 x Hose Kit



TECHNICAL SPECIFICATIONS :

Size : 155 x 65 x 65 cm
Weight : 38 Kg

NECESSARY ACCESSORIES:

Pump 500: Size : 47 x 34 x 39 cm
 Weight : 17,4 Kg
 Electrical Specifications :
 230V – 50Hz – 1300W – 6,1A – IP 44

Hose Kit: Length : 5 m and 7 m
 Weight : 5,6 kg

BASE USABLE :

- UE ST- Base 500

OPTIONAL ACCESSORIES:

- UE Ballast 500

CONSUMPTION AND PRODUCTION:

- On UE ST- Base 500 production of 120 m³ / min of foam.
- Projection over 10m of a foam storm.
- Liquid consumption with CC foam: 2,4 L / mn
- Consumption in water + fluid preparation: 120 L / mn

CONSUMABLES :

- XT- Foam Fluid CC Diluted at 98% in water.
- XT- Foam Fluid HC Diluted at 99.5% in water.
- XT- Foam Fluid LC Diluted at 97% in water.

Universal Effects, La qualité et l'innovation Fabriqué en France

Universal Effects est une Marque fabriquée et distribuée par la société Premium Factory SAS
1 Route Neuve, 71710 MONTCENIS - FRANCE | Email info@premiumfactory.eu | www.premiumfactory.eu
Société Anonyme Simplifiée au capital de 1 000 € | Siret 840 703 797 00018 | VAT Nr: FR47840703797