



TECHNICAL DATASHEET

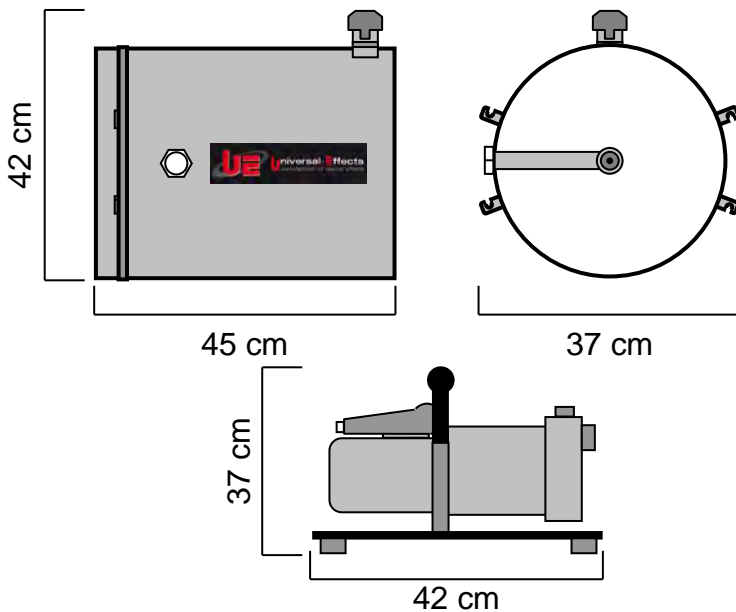
UE Head Mist & Rain 350

Item Code : PFPFRA001114

The UE Head Mist and Rain allows you to create your own weather. To refresh the mood, project water in mist mode. When you need to create a well-watered scene with wind, switch to rain mode. Effect used in cinema, video production and theme park. Delivered complete with its pump on support and all necessary hoses.

NOMENCLATURE :

- 1 x UE Head Mist & Rain 350
- 1 x Pump 350
- 1 x Hose Kit



TECHNICAL SPECIFICATIONS :

Size : 45 x 37 x 42 cm
Weight : 24.6 Kg

NECESSARY ACCESSORIES:

Pump 350: Size : 42 x 23 x 37 cm
 Weight : 14,6 Kg
 Electrical Specifications:
 230V – 50Hz – 800W – 3,7A

Hose Kit : Length : 5 m and 7 m
 Weight : 5,6 kg

BASES USABLE :

- UE ST-Base 350
- UE XT- Base 350

CONSUMPTION :

- On UE ST / XT- Base 350 projection of mist cloud at 6m.
- Water consumption with the mist nozzle: 3L / mn
- On EU ST / XT- Base 350 rain projection at 6m.
- Water consumption with the rain nozzle: 47L / mn

CONSUMABLE :

water (provide storage barrel).

Universal Effects, La qualité et l'innovation Fabriqué en France

Universal Effects est une Marque fabriquée et distribuée par la société Premium Factory SAS
1 Route Neuve, 71710 MONTCENIS - FRANCE | Email info@premiumfactory.eu | www.premiumfactory.eu
Société Anonyme Simplifiée au capital de 1 000 € | Siret 840 703 797 00018 | VAT Nr: FR47840703797