



# TECHNICAL DATASHEET

## UE Head Snow 500

Item Code : PFPNE001212

UE Head Snow meets the requirements of entertainment and entertainment professionals. Very powerful, it projects far and wide and the size of the flakes is adjustable.

It is delivered complete with an aluminum tank equipped with a level, a valve and an industrial connection.

It is possible to connect optional tanks of large capacity.



### NOMENCLATURE :

- 1 x UE Head Snow 500
- 1 x Tank Alu 500

### TECHNICAL SPECIFICATIONS :

Size : 42 x 59 x 66 cm

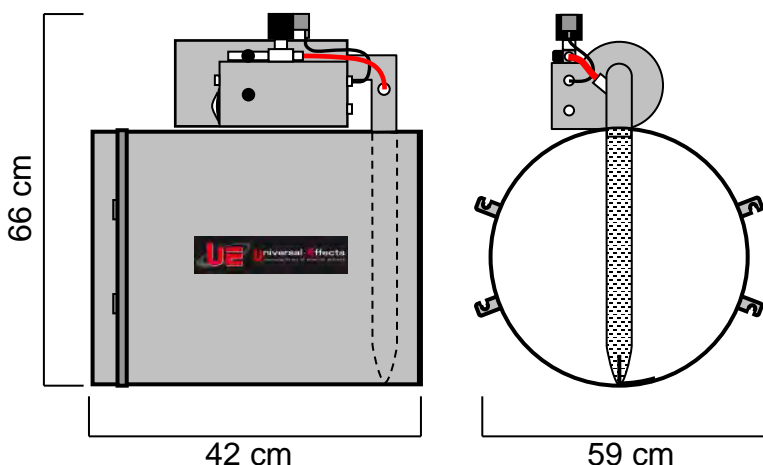
Weight : 15 Kg

Electrical Specifications :  
230V – 50Hz – 1400W – 6.1A – IP 54

### FEATURES :

Tank :                      Size : 47 x 34 x 39 cm  
                                    Weight : 6 Kg  
                                    Capacity : 25L

On UE ST- Base 500 projection at 25m.  
On EU XT- Base 500 projection at 20m.



### BASES USABLE :

- UE ST- Base 500
- UE XT- Base 500

### OPTIONAL ACCESSORIES :

- UE Auto Tank Filler

### CONSUMPTION :

- Consumption in snow liquid is 30 to 60 L / h

### CONSUMABLES :

- UE ST- Snow Fluid RTU Ready To Use
- UE ST- Snow Fluid CC Diluted 90% in water

**Universal Effects, La qualité et l'innovation Fabriqué en France**

Universal Effects est une Marque fabriquée et distribuée par la société Premium Factory SAS  
1 Route Neuve, 71710 MONTCENIS - FRANCE | Email info@premiumfactory.eu | www.premiumfactory.eu  
Société Anonyme Simplifiée au capital de 1 000 € | Siret 840 703 797 00018 | VAT Nr: FR47840703797