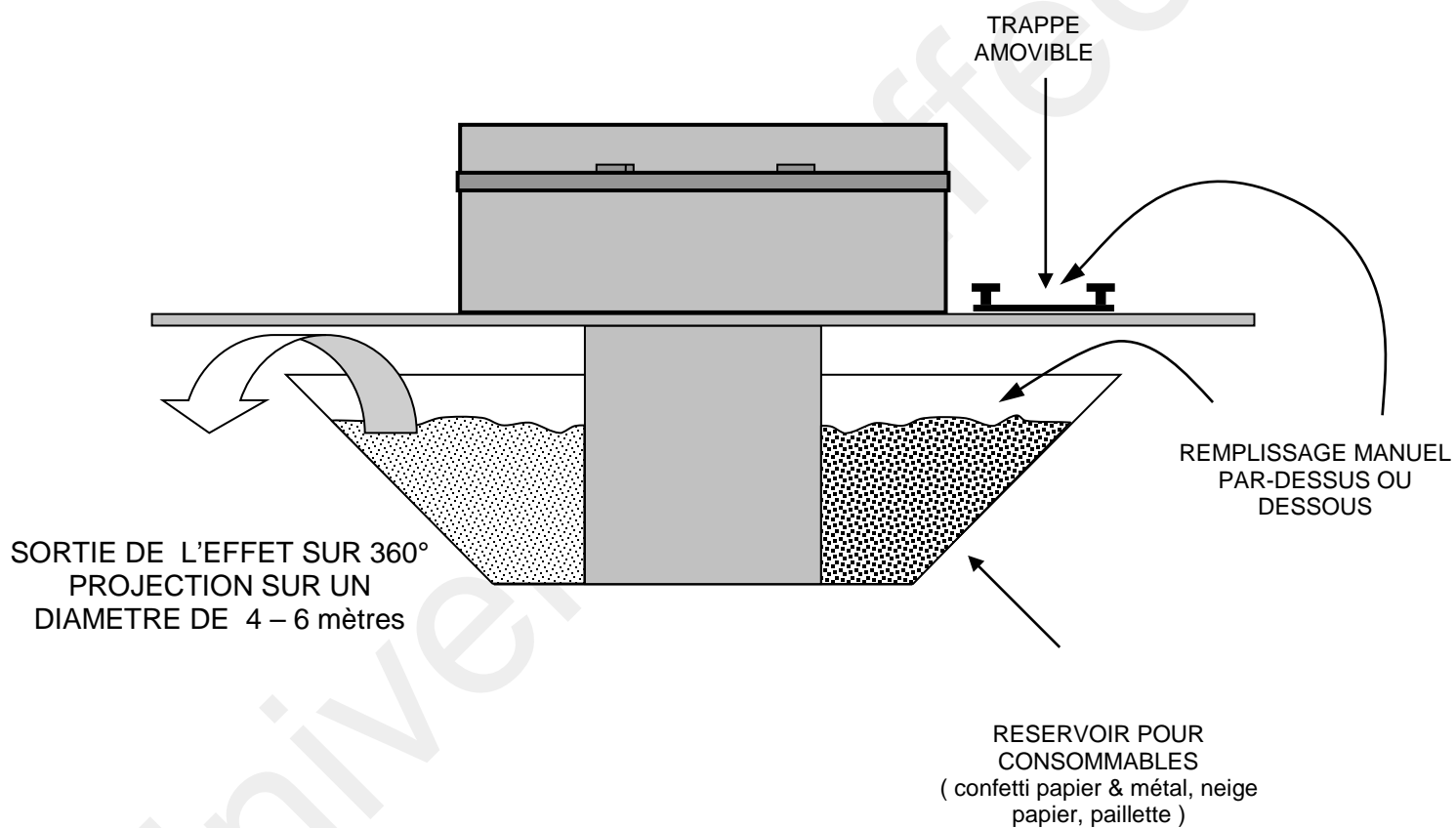
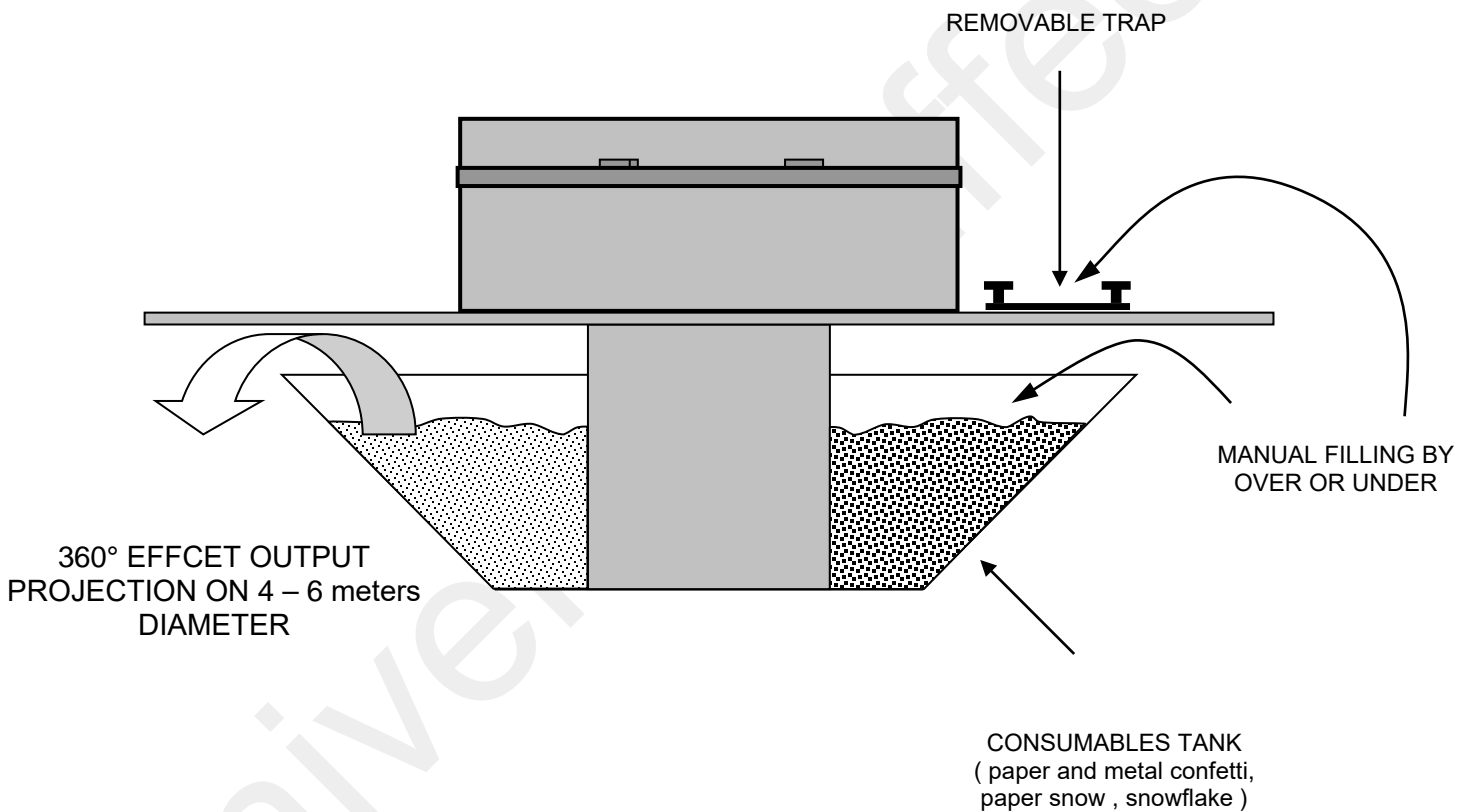


# SCHEMA TECHNIQUE – UE HEAD STRIPTease



VISSERIE & QUINCAILLERIE EN INOX – CORPS EN ALUMINIUM

# TECHNICAL DIAGRAM– UE HEAD STRIPTEASE



SCREWS AND HARWARE IN STAINLESS – ALUMINIUM BODY