



TECHNICAL DATASHEET

UE K- Base 350 STD

Item Code : PFPFBA001121

The UE K-Base 500 STD is compact, economical and quiet. It is intended for small and medium fixed or mobile installations and visual performances with virtual flames and inflatable Designs. It allows individual or multiple use autonomously, disseminated within the lighting. The K-Power Base 500 STD incorporates a variation of speed and is equipped with professional connectors and a resettable fuse.

NOMENCLATURE :

- 1 x UE K- Base 350 STD
- 4 x Boutons de serrages pour les têtes
- 1 x PowerCon cable 5m



TECHNICAL SPECIFICATIONS :

Size : 28 x 62 x 65 cm

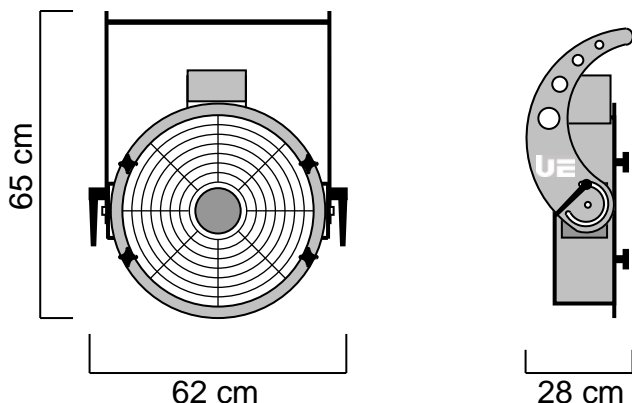
Weight : 13 Kg

Electrical Specifications :
230V – 50/60Hz – 355W – 1.55A – IP 44

Conforming to CE standards ERP 2015

FEATURES :

- Noise 74 dB / 3m inside (high speed version).
- 110 ° vertical adjustment.
- Possibility of hanging under structure.
- Optional floor stand.
- Electronic variation of the integrated speed.
- Base + Head Control by Manual Switch.



HEADS USABLES :

- | | |
|-----------------------|-------------------------|
| UE Head Foam 350 | UE Head Jet-Bubbles 350 |
| UE Head Snow 350 | UE Head Striptease 350 |
| UE Head Twin 350 | UE Head Wind 350 |
| UE Head Fragances 350 | UE Head AirFlame 350 |

OPTIONAL ACCESSORIES :

- UE Ground Foot 350

Made of ALUMINUM and INOX, the UE K-Base 350 STD is built to last. Each element has been chosen for its quality and efficiency.

Universal Effects, La qualité et l'innovation Fabriqué en France

Universal Effects est une Marque fabriquée et distribuée par la société Premium Factory SAS
1 Route Neuve, 71710 MONTCENIS - FRANCE | Email info@premiumfactory.eu | www.premiumfactory.eu
Société Anonyme Simplifiée au capital de 1 000 € | Siret 840 703 797 00018 | VAT Nr: FR47840703797



TECHNICAL DATASHEET

UE Head AirFlame 350

Item Code : PFPFAF002122

The EU Head AirFlame allows you to create a decorative and powerful visual effect for the event.
This version without lighting system is perfectly designed for daytime use with great simplicity.
The concept we have developed gives you the choice to use this head for 4 different effects: Flames of Silk, Windsock, Characters and Inflatable Forms such as cones.
This head comes with 2 accessories included, a silk flame holder and a strapping for the inflatables.

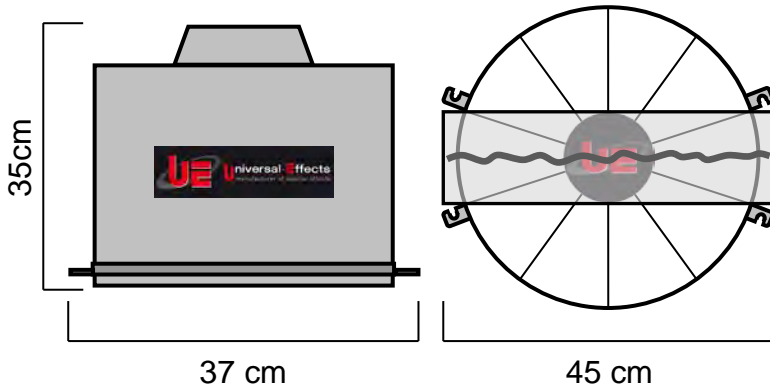
NOMENCLATURE :

- 1 x UE Head AirFlame 350
- 1 x Flame Holder
- 1 x Silk Flame 3m
- 1 x Strapping for Inflatables



TECHNICAL SPECIFICATIONS :

Size : 35 x 45 x 37 cm
Weight : 6.2 Kg



FEATURES :

Removable flame holder.
Delivered with a strapping for hanging Design Inflatable, Airships and Characters.
Possibilities of flame heights: from 2 to 4m.
Possibility of fixtube heights from 3 to 6m.
Possibilities of height of figure of 3m.

BASES USABLE :

- UE K- Base 350
- UE ST- Base 350
- UE XT- Base 350

CONSUMABLES :

- Silk Flame
- Designs
- Figures
- Fly Tube

Made of ALUMINUM and INOX, the Head AirFlame 350 is built to last. Each element has been chosen for its quality and efficiency.

Universal Effects, La qualité et l'innovation Fabriqué en France

Universal Effects est une Marque fabriquée et distribuée par la société Premium Factory SAS
1 Route Neuve, 71710 MONTCENIS - FRANCE | Email info@premiumfactory.eu | www.premiumfactory.eu
Société Anonyme Simplifié au capital de 1 000 € | Siret 840 703 797 00018 | VAT Nr: FR47840703797