



# TECHNICAL DATASHEET

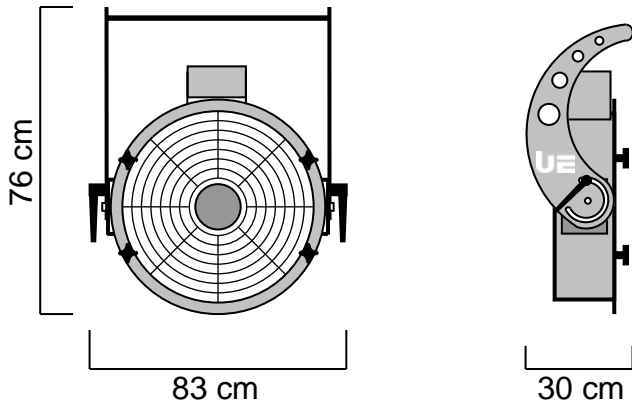
## UE K- Base 500 STD

Item Code : PFPFBA001221

The UE K-Base 500 STD is compact, economical and quiet. It is intended for small and medium fixed or mobile installations and visual performances with virtual flames and inflatable Designs. It allows individual or multiple use autonomously, disseminated within the lighting. The K-Power Base 500 STD incorporates a variation of speed and is equipped with professional connectors and a resettable fuse.

### NOMENCLATURE :

- 1 x UE K- Base 500 STD
- 4 x Boutons de serrages pour les têtes
- 1 x PowerCon cable 5m



### TECHNICAL SPECIFICATIONS :

Size : 30 x 83 x 76 cm

Weight : 19.8 Kg

Electrical Specifications :  
230V – 50/60Hz – 355W – 1.5A – IP 44

Conforming to CE standards ERP 2015

### FEATURES :

- Noise 74 dB / 3m inside (low speed version).
- 110 ° vertical adjustment.
- Possibility of hanging under structure.
- Optional floor stand.
- Electronic variation of the integrated speed.
- Base + Head Control by Manual Switch.

### HEADS USABLES :

- UE Head Wind 500
- UE Head Jet-Bubbles 500
- UE Head AirFlame 500
- UE Head Striptease 500
- UE Head Fragances 500

### OPTIONAL ACCESSORIES :

- UE Ground Foot 500

Made of ALUMINUM and INOX, the UE K-Base 500 STD is made to last. Each element has been chosen for its quality and efficiency.

**Universal Effects, La qualité et l'innovation Fabriqué en France**

Universal Effects est une Marque fabriquée et distribuée par la société Premium Factory SAS  
1 Route Neuve, 71710 MONTCENIS - FRANCE | Email info@premiumfactory.eu | www.premiumfactory.eu  
Société Anonyme Simplifié au capital de 1 000 € | Siret 840 703 797 00018 | VAT Nr: FR47840703797



# TECHNICAL DATASHEET

## UE Head AirFlame 500 Light STD

Item Code : PFPFAF002223

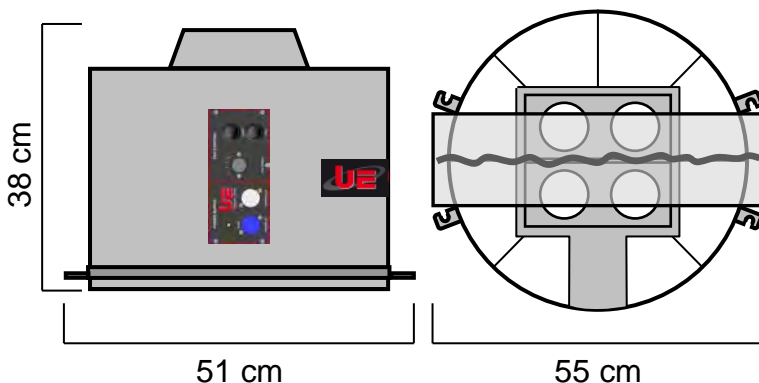
The UE Head AirFlame Light allows you to create a decorative and powerful visual effect for the event. This version is equipped with 4 MR16 halogen lamps of 71W each in tight beam pattern. Fire-colored removable dichroic filters give the illusion of a real flame.

Realism is bluffing! Without the filters, the powerful white lighting will highlight the inflatables.

Two versions to choose from: Light Std for manual control or Light DMX for remote control. The concept we have developed gives you the choice to use this head for 4 different effects: Flames of Silk, Windsock, Characters and Inflatable Forms such as cones. This head comes with 2 accessories included, a silk flame holder and a strapping for the inflatables.

### NOMENCLATURE :

- 1 x UE Head AirFlame 500 Light STD
- 1 x Flame Holder
- 1 x Silk Flame 5m
- 1 x Strapping for Inflatables
- 1 x Power Cable 2m PowerCon



### SPECIFICATIONS TECHNIQUES :

Size : 38 x 55 x 51 cm  
Weight : 9.4 Kg

Electrical Specifications :  
230V – 50Hz – 300W – 1.3A

Equipped with 4 lamps MR16-71W 10° + dichroic filters

### FEATURES :

Removable flame holder.  
Delivered with a strapping for hanging Design Inflatable, Airships and Characters.  
Possibilities of flame heights: from 4 to 6m.  
Possibilities of fixture heights from 6 to 12m.  
Possibilities of figure heights of 5m. .

### BASES USABLE :

- UE K- Base 500
- UE ST- Base 500
- UE XT- Base 500

### CONSUMABLES :

Silk Flame : Flamme de soie  
Designs : Formes gonflables  
Figures : Personnages gonflables  
Fly Tube : Manches à air

Made of ALUMINUM and INOX, the Head AirFlame 500 Light STD is built to last. Each element has been chosen for its quality and efficiency.

**Universal Effects, La qualité et l'innovation Fabriqué en France**

Universal Effects est une Marque fabriquée et distribuée par la société Premium Factory SAS  
1 Route Neuve, 71710 MONTCENIS - FRANCE | Email info@premiumfactory.eu | www.premiumfactory.eu  
Société Anonyme Simplifiée au capital de 1 000 € | Siret 840 703 797 00018 | VAT Nr: FR47840703797