



# TECHNICAL DATASHEET

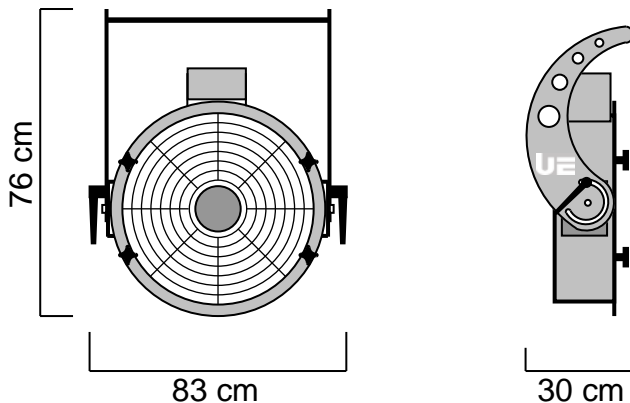
## UE K- Base 500 STD

Item Code : PFPFBA001221

The UE K-Base 500 STD is compact, economical and quiet. It is intended for small and medium fixed or mobile installations and visual performances with virtual flames and inflatable Designs. It allows individual or multiple use autonomously, disseminated within the lighting. The K-Power Base 500 STD incorporates a variation of speed and is equipped with professional connectors and a resettable fuse.

### NOMENCLATURE :

- 1 x UE K- Base 500 STD
- 4 x Boutons de serrages pour les têtes
- 1 x PowerCon cable 5m



### TECHNICAL SPECIFICATIONS :

Size : 30 x 83 x 76 cm

Weight : 19.8 Kg

Electrical Specifications :  
230V – 50/60Hz – 355W – 1.5A – IP 44

Conforming to CE standards ERP 2015

### FEATURES :

- Noise 74 dB / 3m inside (low speed version).
- 110 ° vertical adjustment.
- Possibility of hanging under structure.
- Optional floor stand.
- Electronic variation of the integrated speed.
- Base + Head Control by Manual Switch.

### HEADS USABLES :

- UE Head Wind 500
- UE Head AirFlame 500
- UE Head Fragances 500
- UE Head Jet-Bubbles 500
- UE Head Striptease 500

### OPTIONAL ACCESSORIES :

- UE Ground Foot 500

Made of ALUMINUM and INOX, the UE K-Base 500 STD is made to last. Each element has been chosen for its quality and efficiency.

**Universal Effects, La qualité et l'innovation Fabriqué en France**

Universal Effects est une Marque fabriquée et distribuée par la société Premium Factory SAS  
1 Route Neuve, 71710 MONTCENIS - FRANCE | Email info@premiumfactory.eu | www.premiumfactory.eu  
Société Anonyme Simplifié au capital de 1 000 € | Siret 840 703 797 00018 | VAT Nr: FR47840703797



# TECHNICAL DATASHEET

## UE Head Fragrance 500 Mono

Item Code : PFPFFR001215

The UE Head Fragrance incorporates a high performance and precise technology in terms of fragrance diffusion. Thanks to its power, the Fragrance head allows you to change perfume in a few seconds and distribute them in all types of volumes. Using 100% natural essential oils, you will create a fourth dimension and use a rarely used Sense: smell. Available in mono, duo and quattro for more choice and power.

### NOMENCLATURE :

- 1 x UE Head Fragrance 500 Mono



### TECHNICAL SPECIFICATIONS :

Size : 42 x 63 x 51 cm

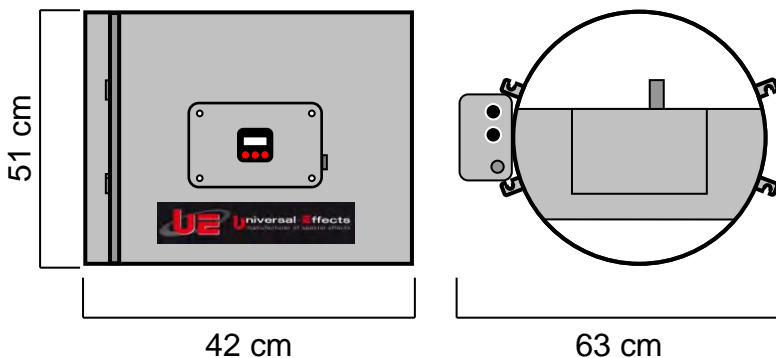
Weight : 10.4 Kg

Electrical Specifications :  
230V – 50/60Hz – 22W – 0.1A – IP 44

Equipped with one diffusers of 20ml.

### FEATURES :

Equipped with a door for easy access to the diffuser for filling and cleaning.  
Designed for horizontal use only.  
Integrated electronic control with TIMER and DMX..



### OPTIONAL ACCESSORIES :

- Large capacity diffuser 50 ml

### CONSUMPTION :

The consumption varies according to the essential oil used, on average: 1 ml / h per diffuser.

### CONSUMABLES :

Perfume compositions specially formulated and adapted by Universal-Effects for its machines.

Made of ALUMINUM and INOX, the UE Head Fragrance 500 Mono is built to last. Each element has been chosen for its quality and efficiency.

**Universal Effects, La qualité et l'innovation Fabriqué en France**

Universal Effects est une Marque fabriquée et distribuée par la société Premium Factory SAS  
1 Route Neuve, 71710 MONTCENIS - FRANCE | Email info@premiumfactory.eu | www.premiumfactory.eu  
Société Anonyme Simplifiée au capital de 1 000 € | Siret 840 703 797 00018 | VAT Nr: FR47840703797