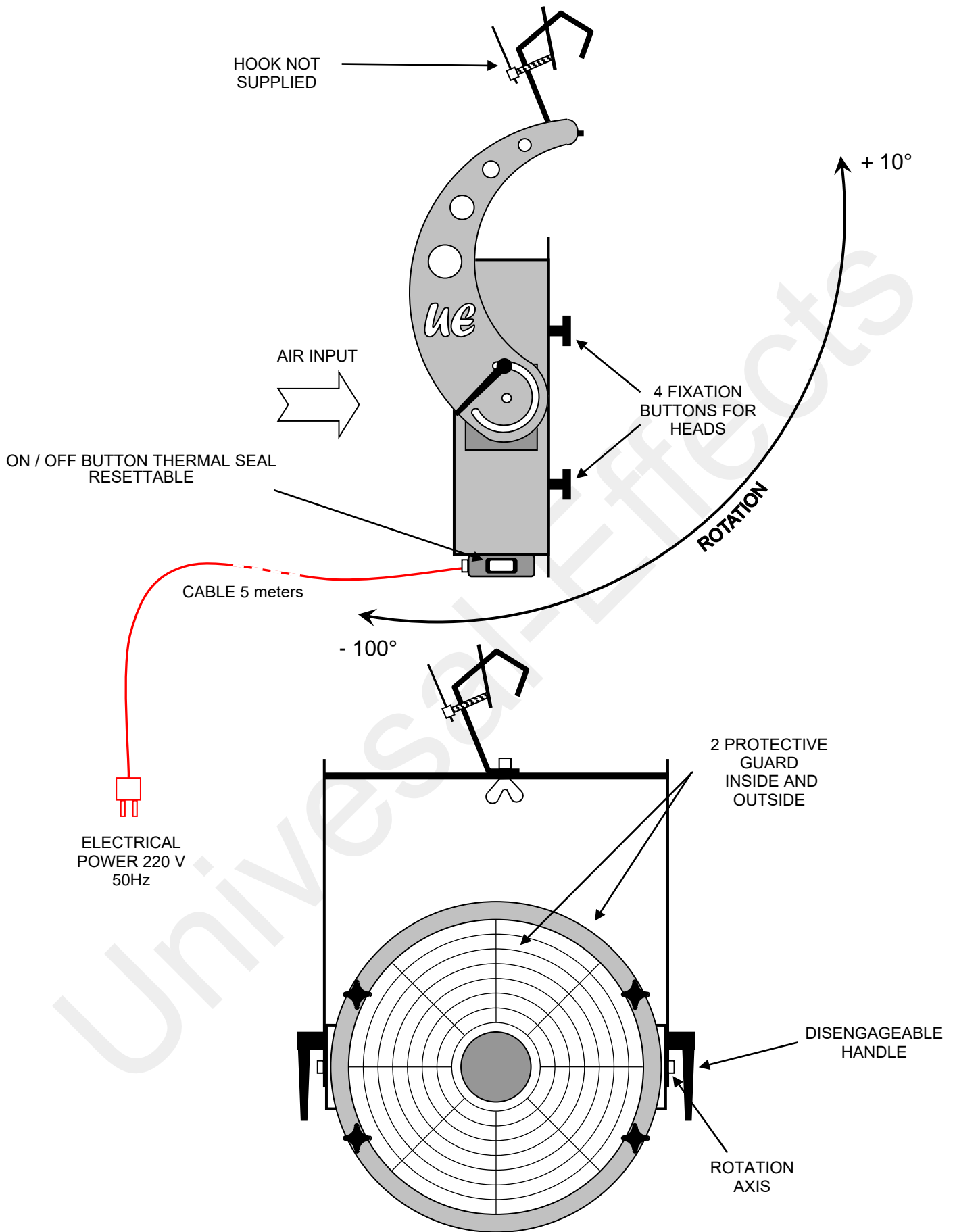
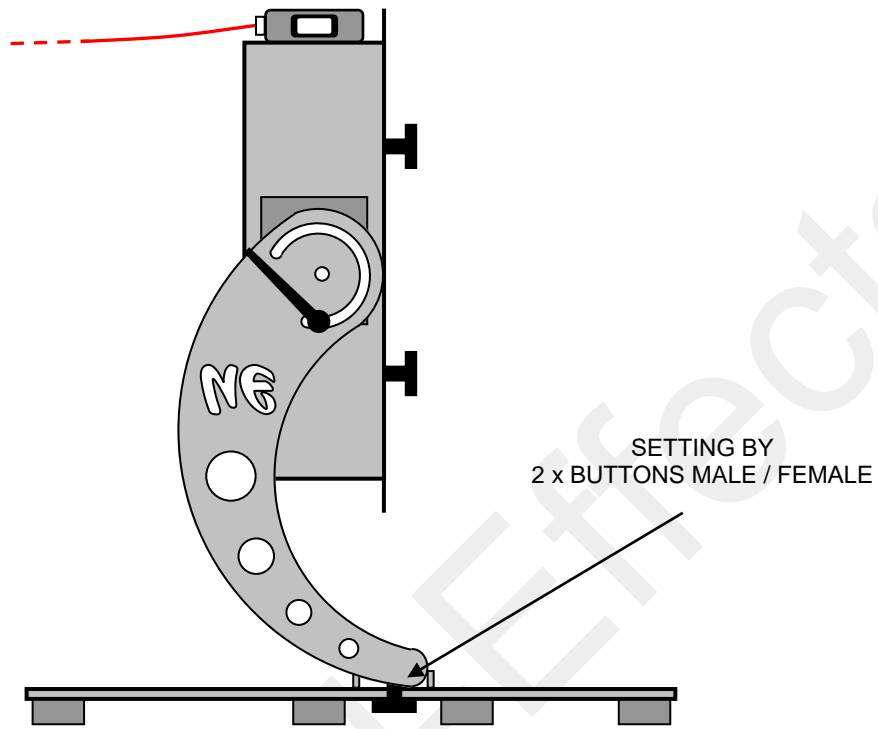


TECHNICAL DIAGRAM – UE K-BASE 350 & 500



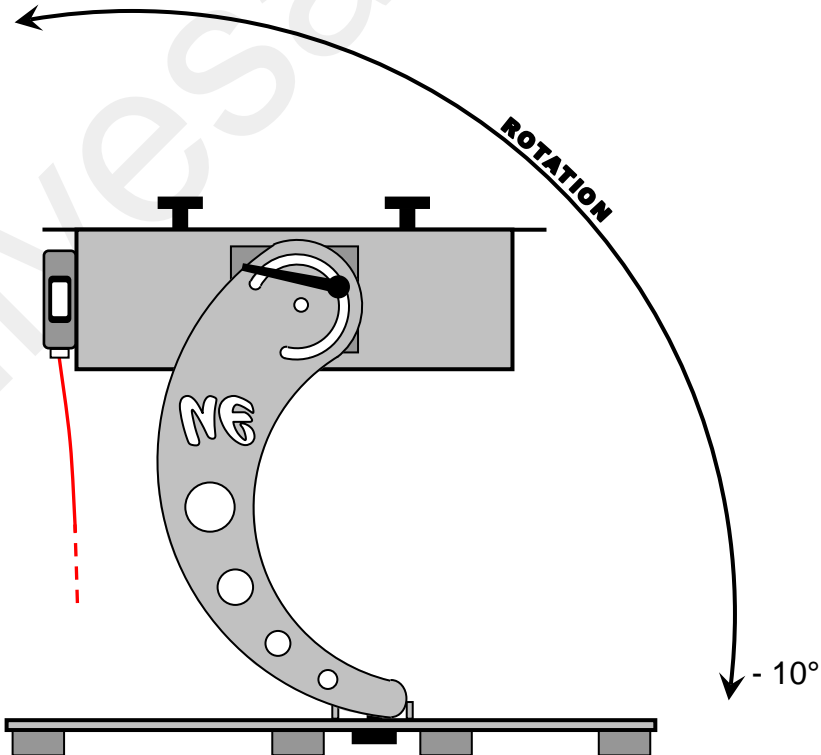
SCREWS AND HARDWARE IN STAINLESS – ALUMINIUM BODY – VERY COMPACT

TECHNICAL DIAGRAM – UE K- BASE 350 & 500 WITH GROUND SUPPORT OPTION



GROUND SUPPORT
REF : UE GROUND FOOT K-350 & K-500

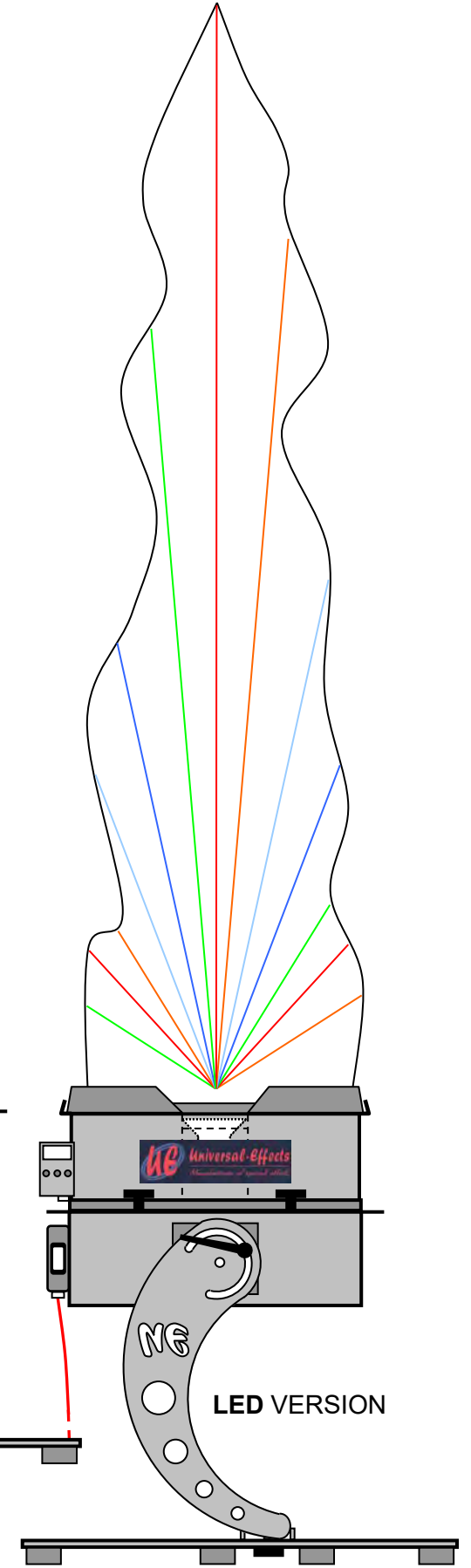
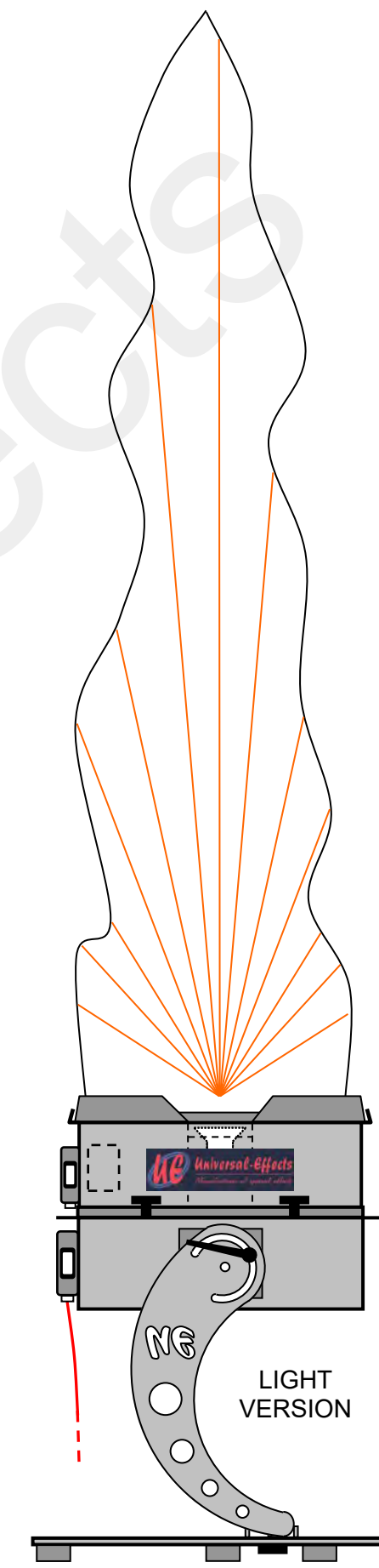
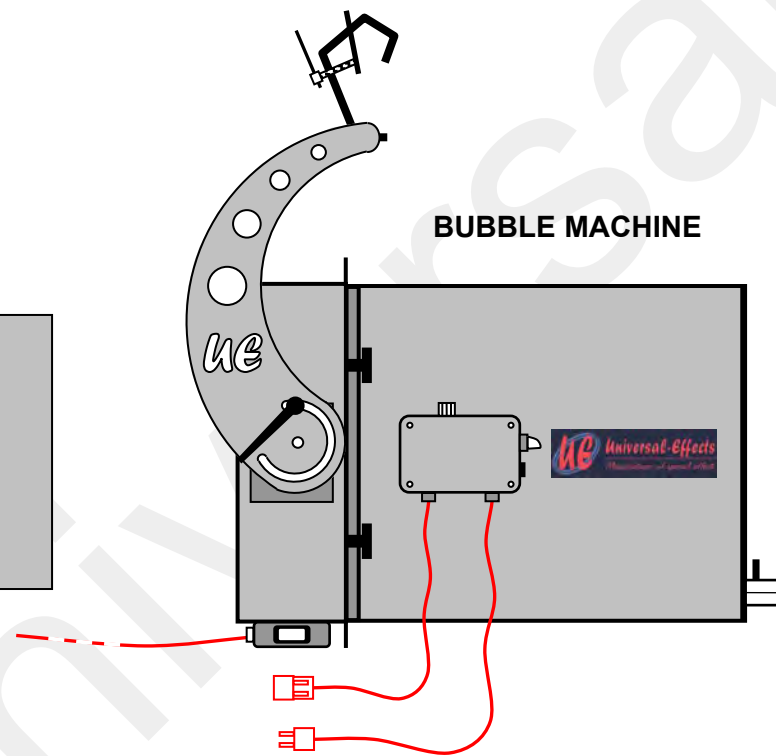
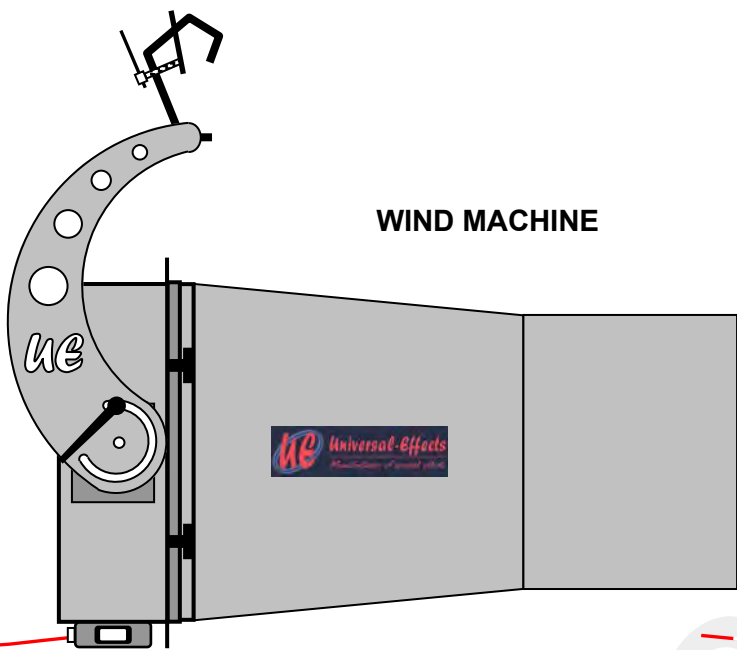
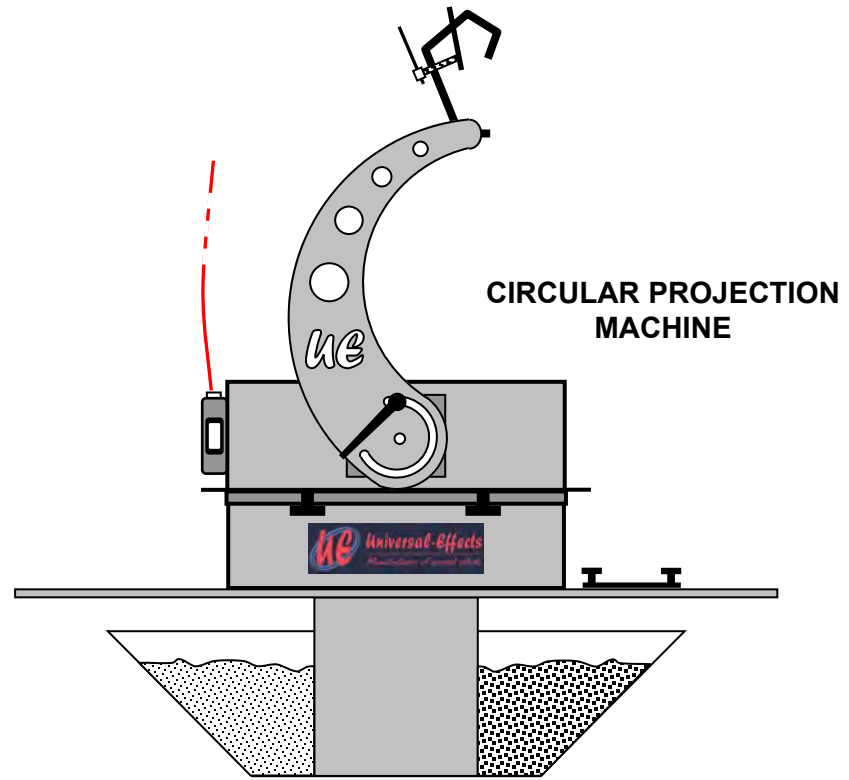
+ 100°



- 10°

SCREWS AND HARDWARE IN STAINLESS – ALUMINIUM BODY – VERY COMPACT

COMBINATIONS WITH UE K-BASE 500



AIRFLAME MACHINE