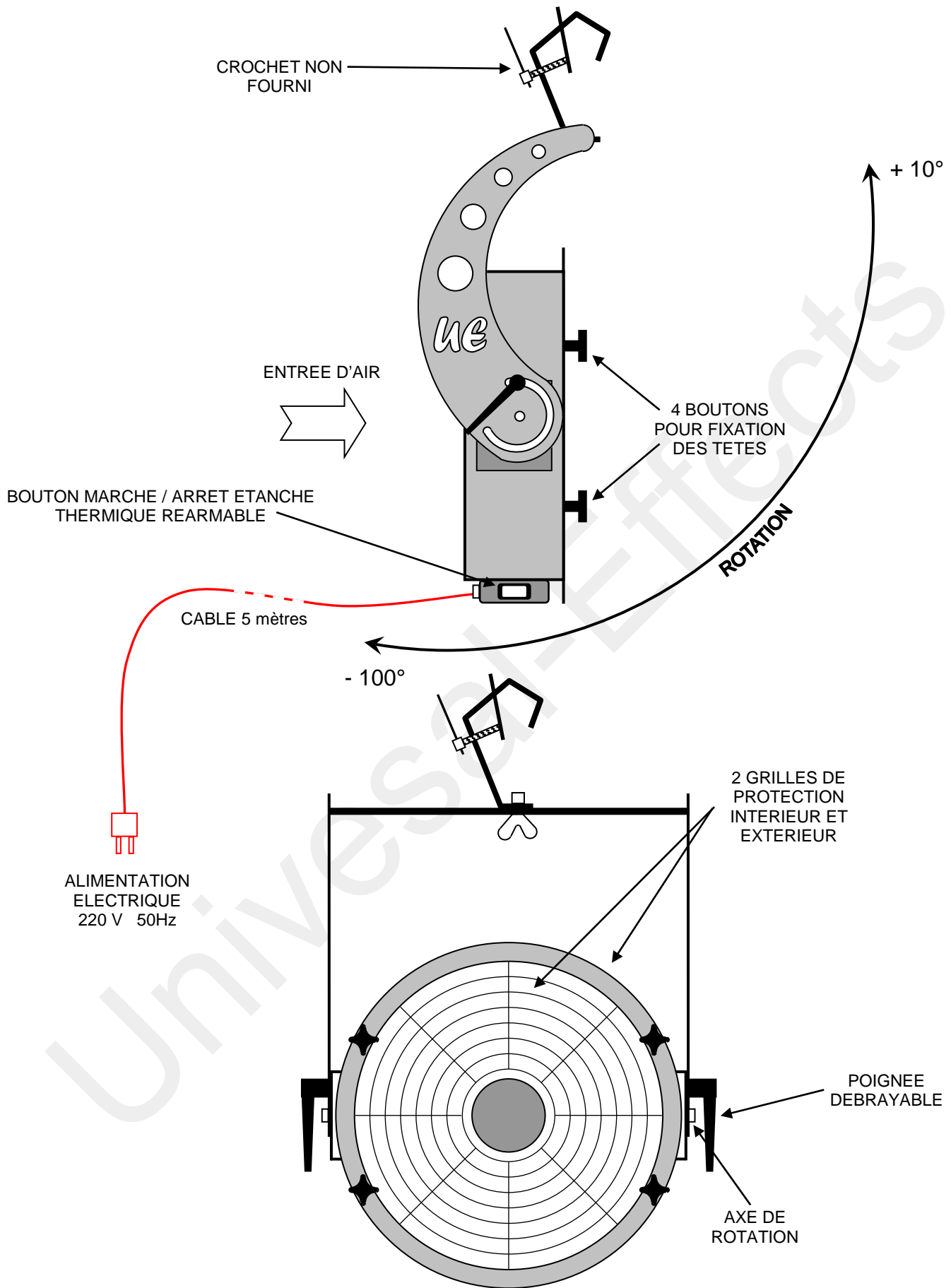
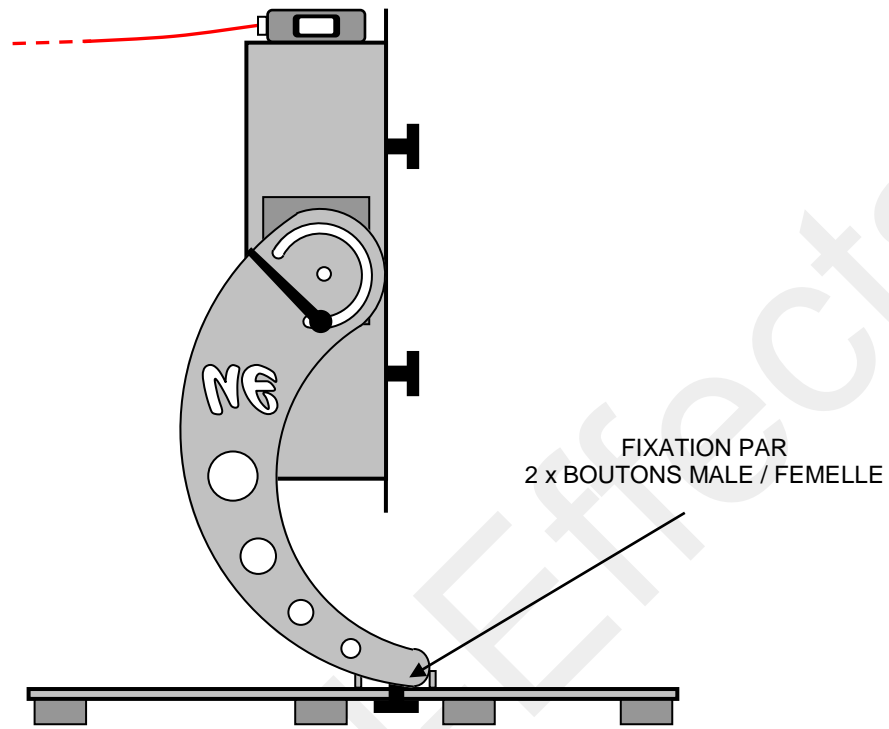


SCHEMA TECHNIQUE – UE K-BASE 350 & 500



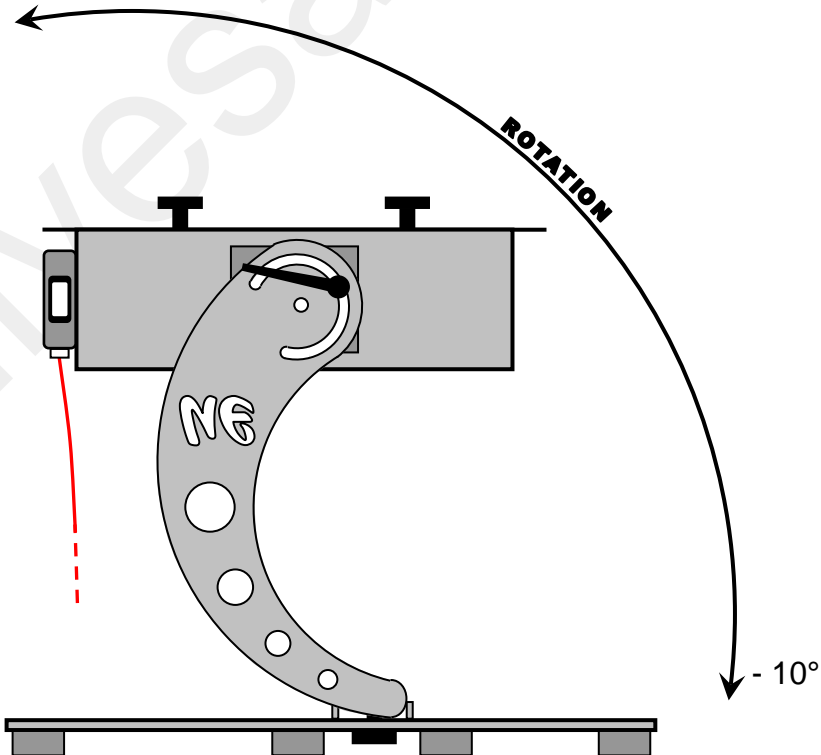
VISSERIE & QUINCAILLERIE EN INOX – CORPS EN ALUMINIUM – TRES COMPACTE

SCHEMA TECHNIQUE – UE K- BASE 350 & 500 AVEC OPTION SUPPORT DE SOL



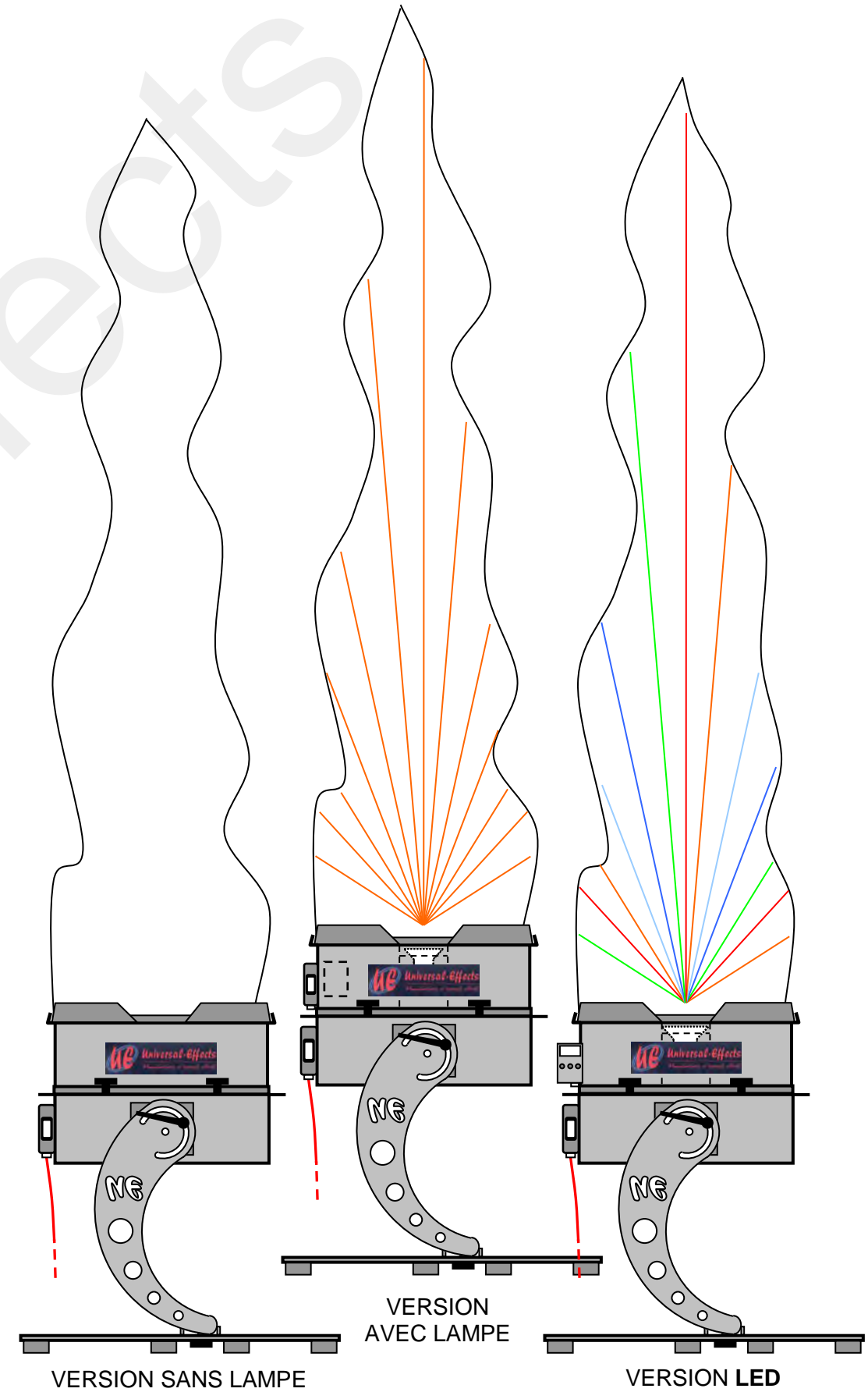
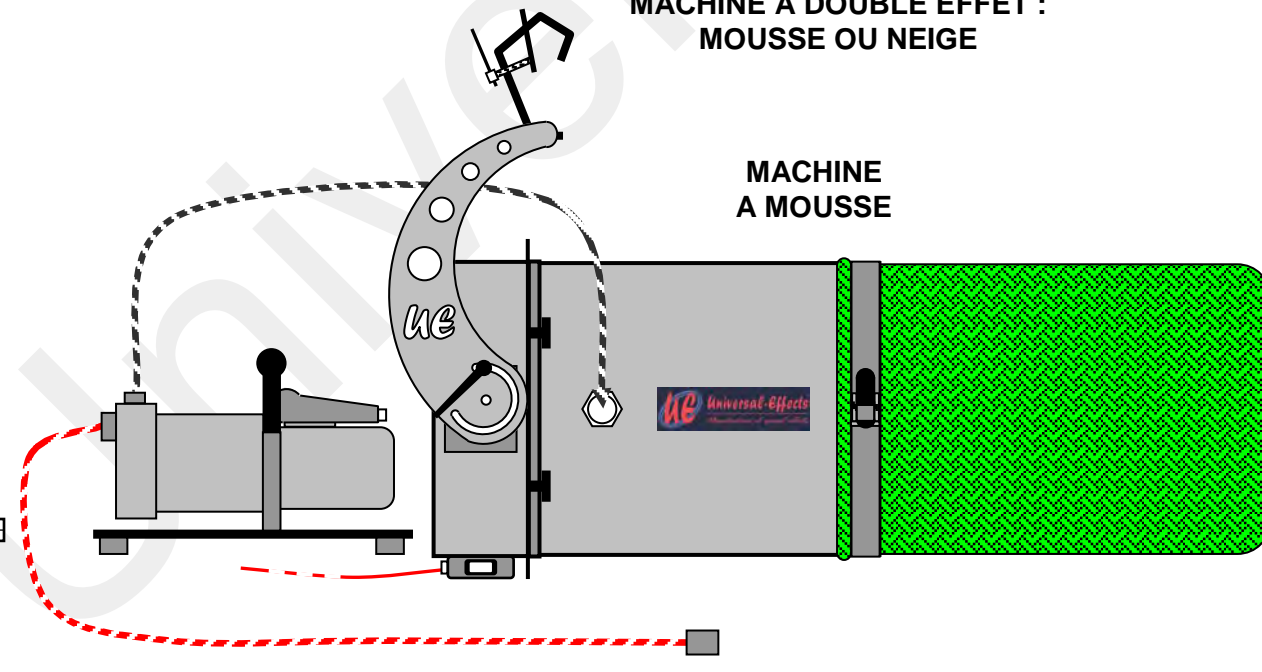
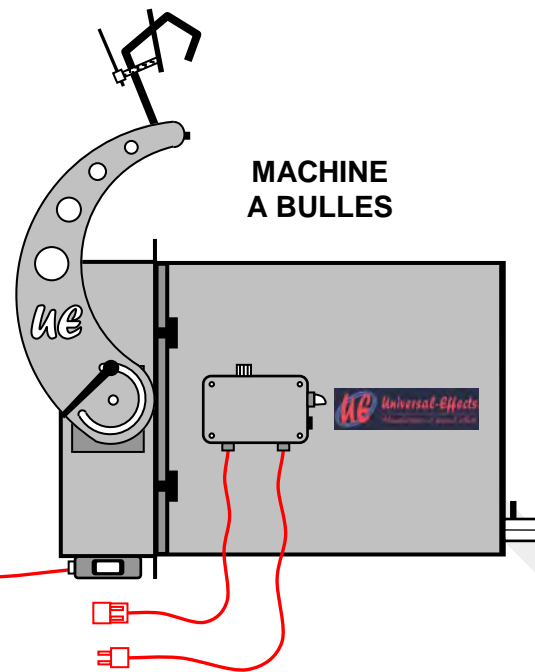
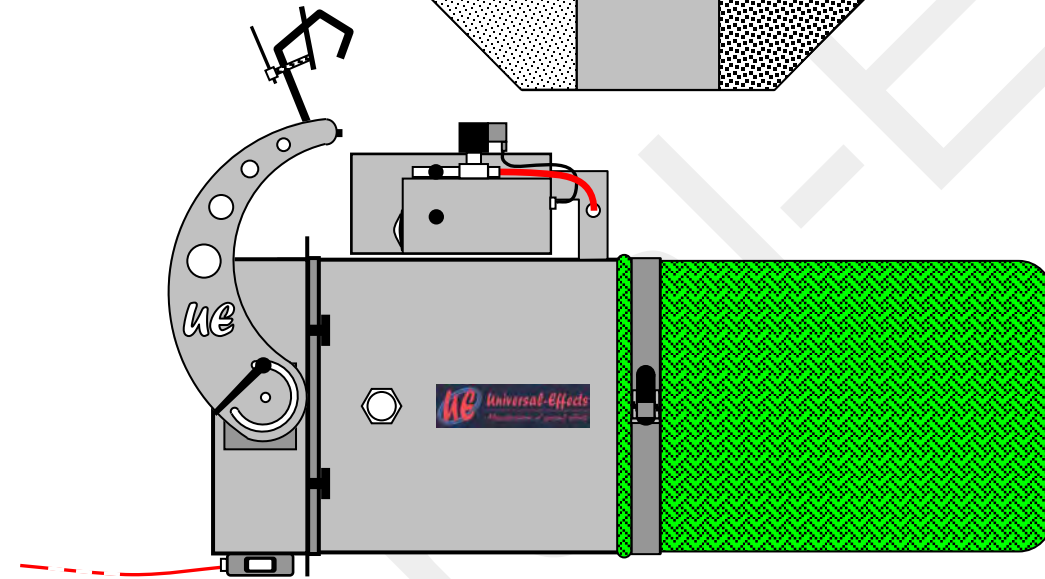
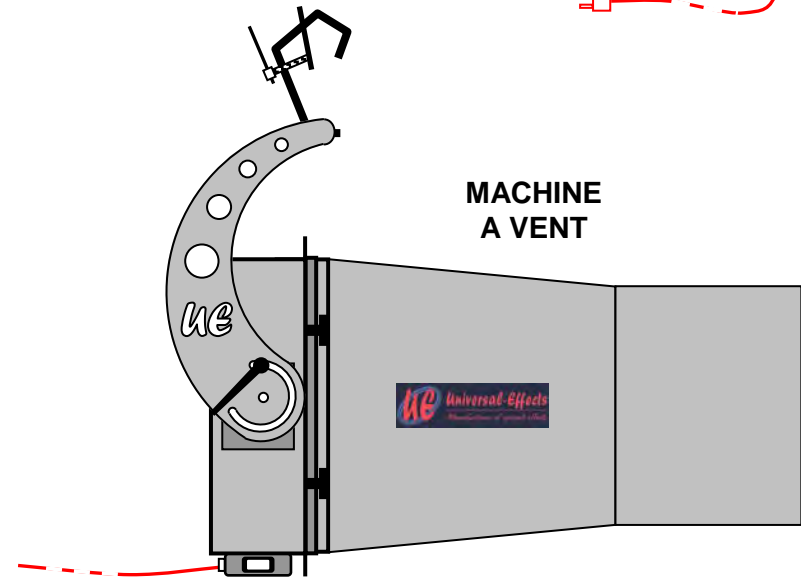
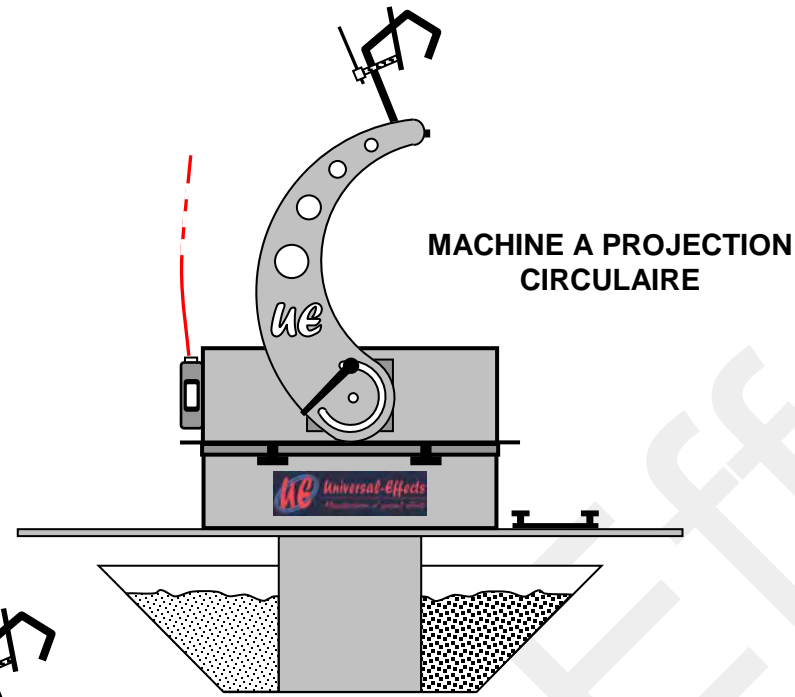
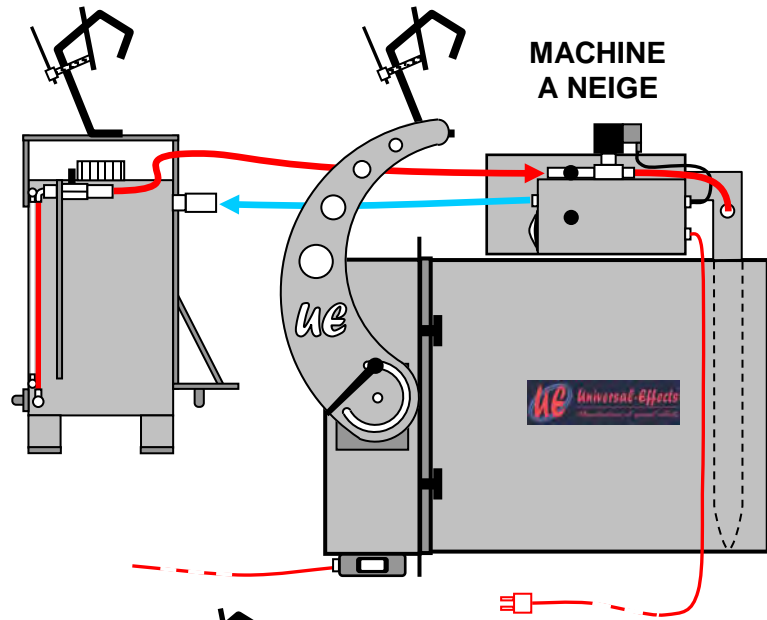
SUPPORT DE SOL
REF : UE GROUND FOOT K-350 & K-500

+ 100°

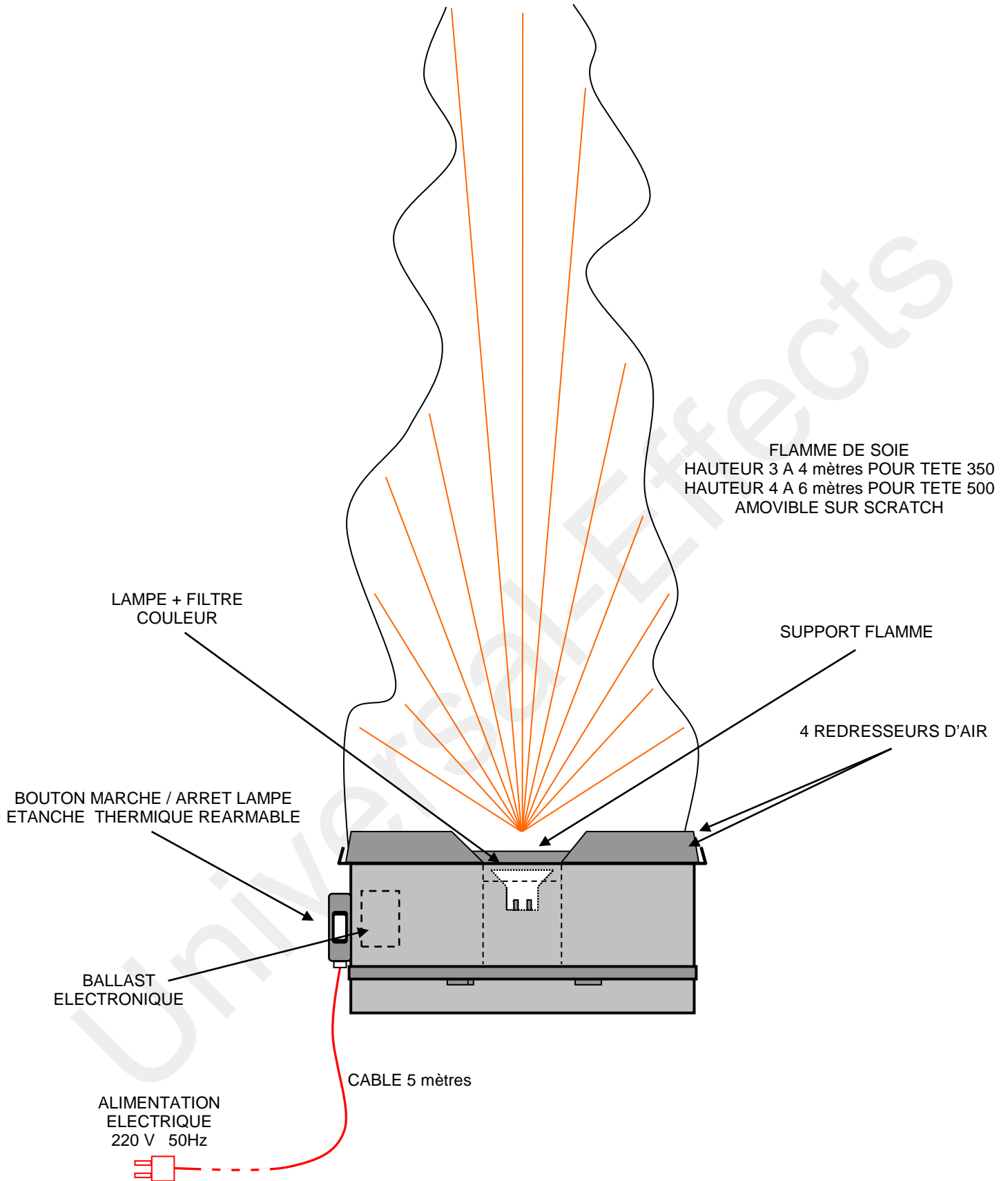


VISSERIE & QUINCAILLERIE EN INOX – CORPS EN ALUMINIUM – TRES COMPACTE

LES COMBINAISONS AVEC UE K-BASE 350



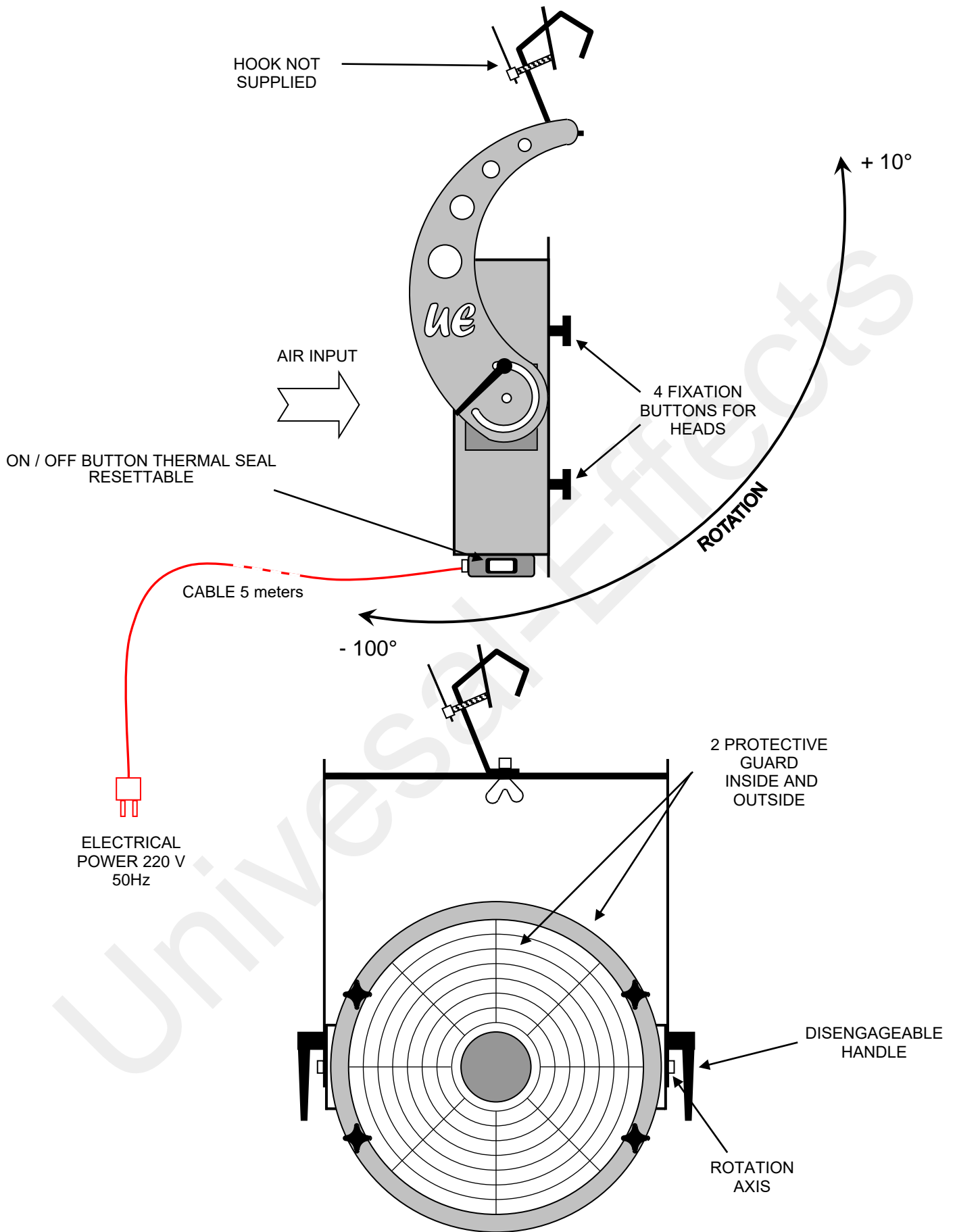
SCHEMA TECHNIQUE – UE HEAD AIRFLAME LIGHT



- LAMPE TRES PUISSANTE (IODURE METALLIQUE)
- FILTRE ORANGE VERRE DICHROIQUE AMOVIBLE

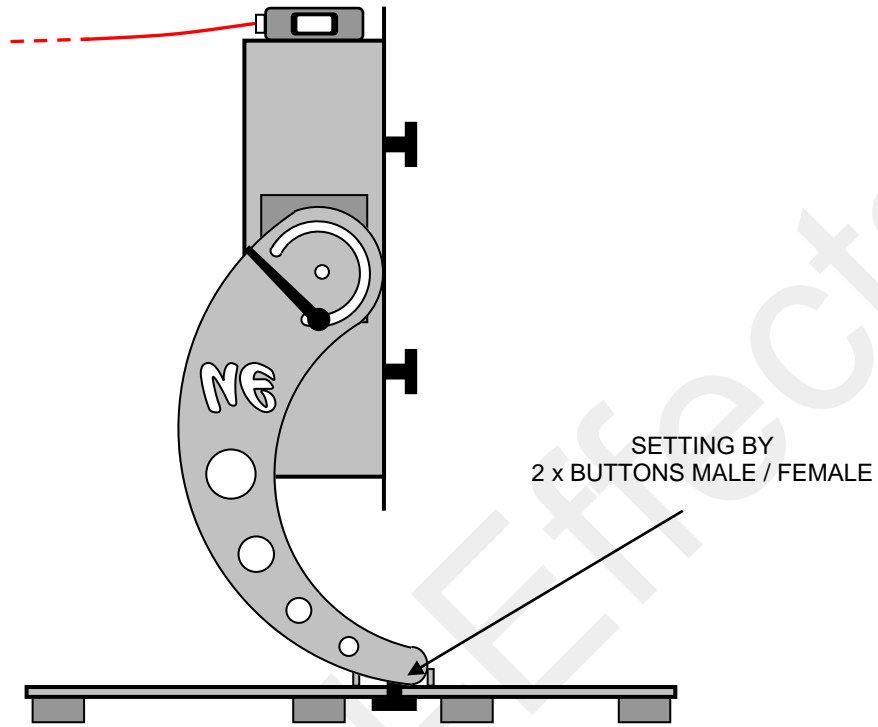
VISSERIE & QUINCAILLERIE EN INOX – CORPS EN ALUMINIUM

TECHNICAL DIAGRAM – UE K-BASE 350 & 500



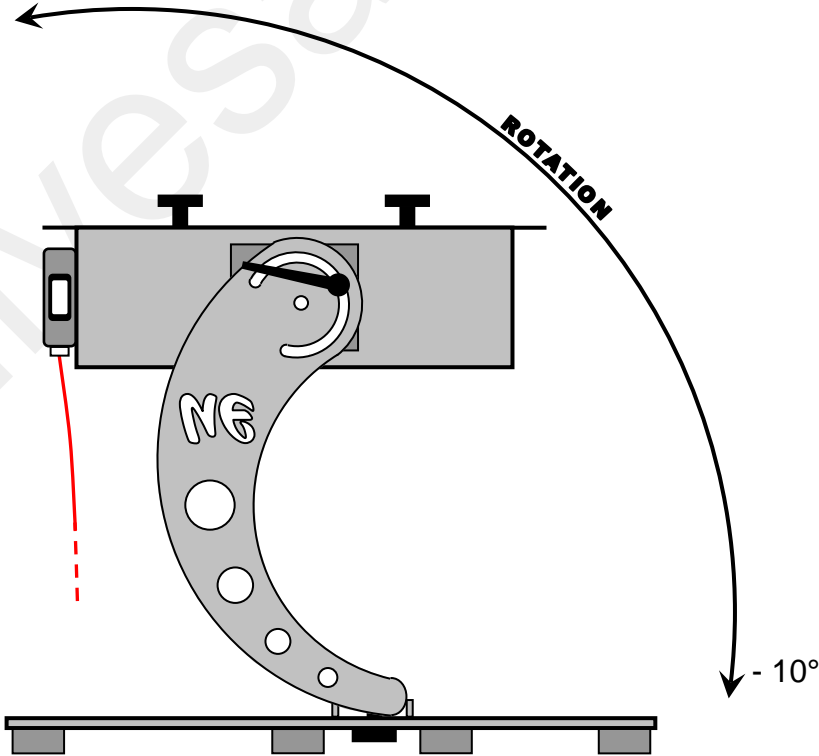
SCREWS AND HARDWARE IN STAINLESS – ALUMINIUM BODY – VERY COMPACT

TECHNICAL DIAGRAM – UE K- BASE 350 & 500 WITH GROUND SUPPORT OPTION



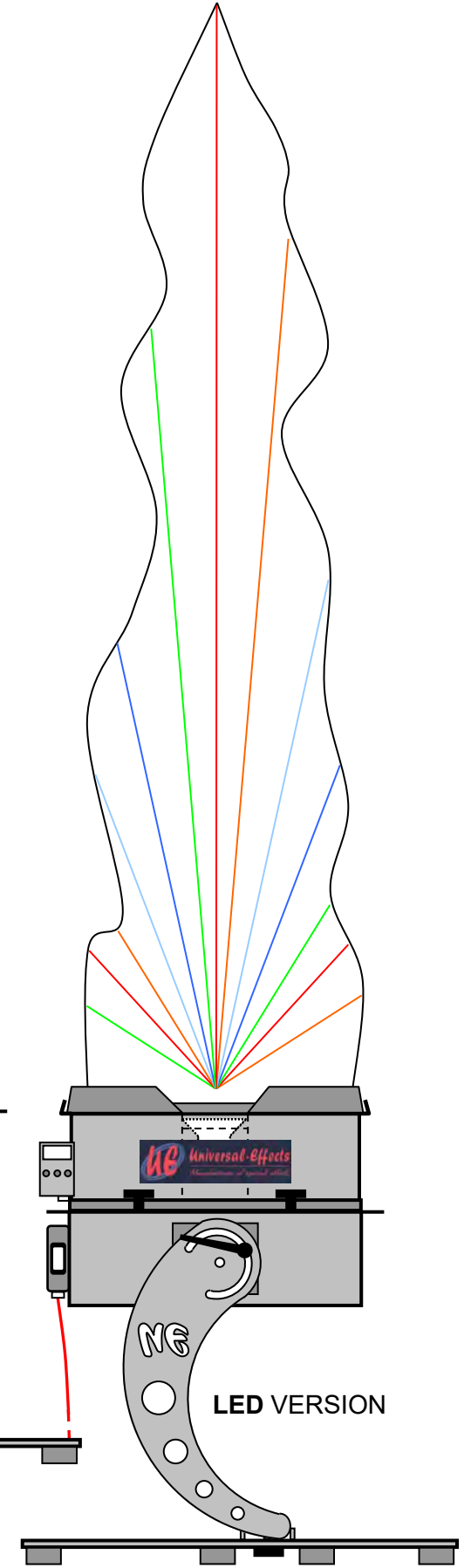
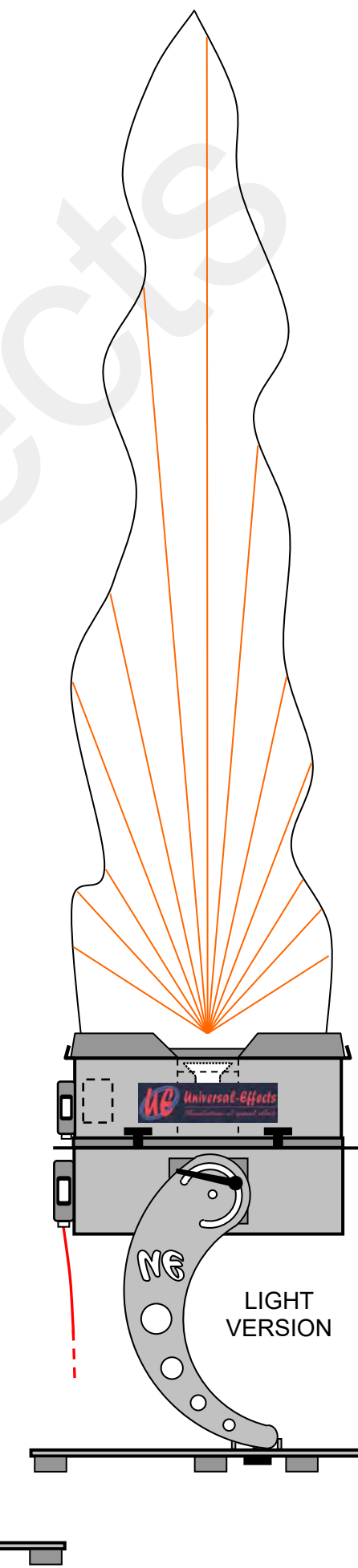
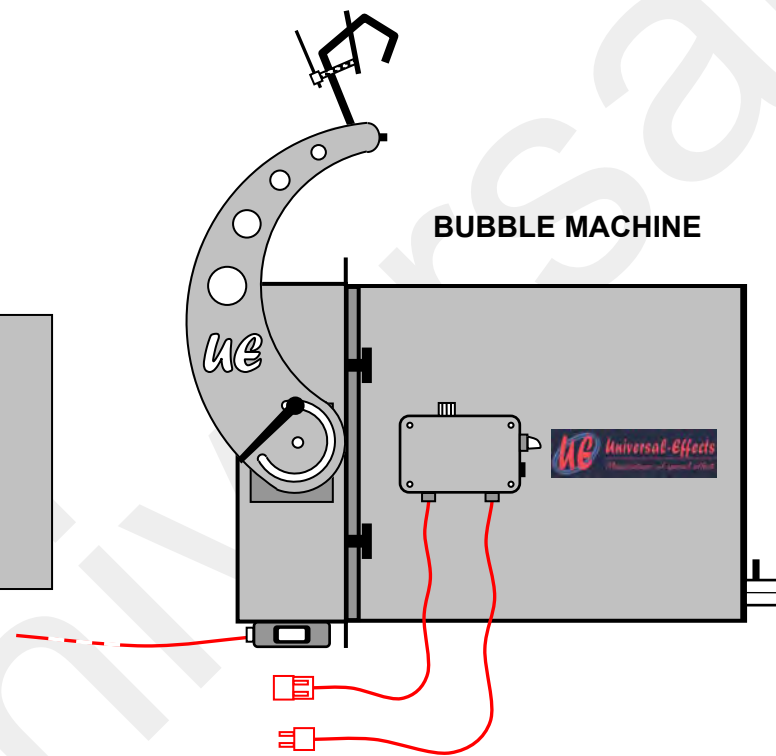
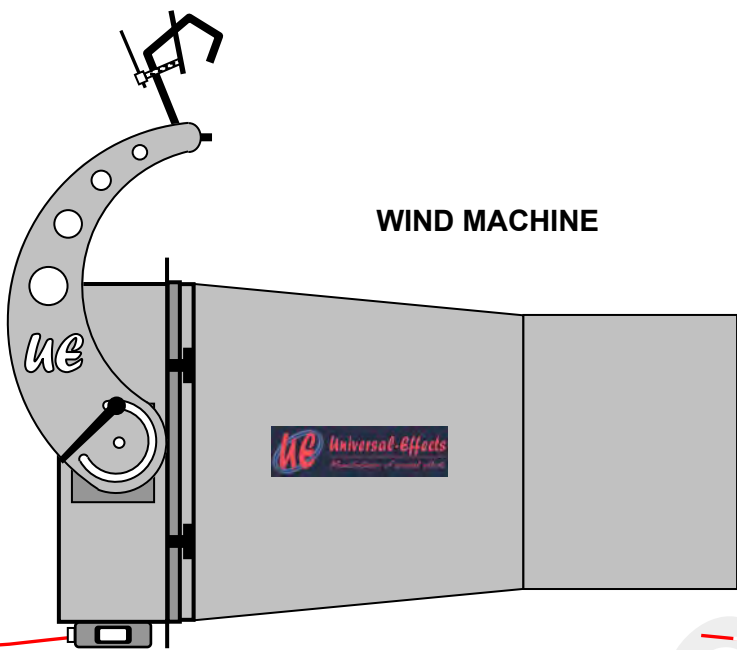
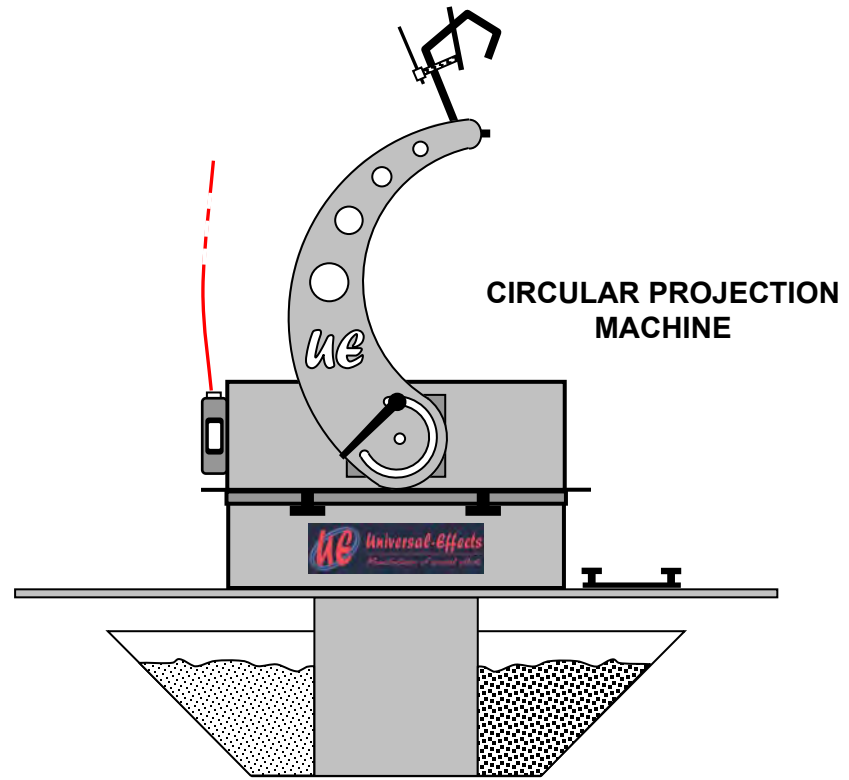
GROUND SUPPORT
REF : UE GROUND FOOT K-350 & K-500

+ 100°



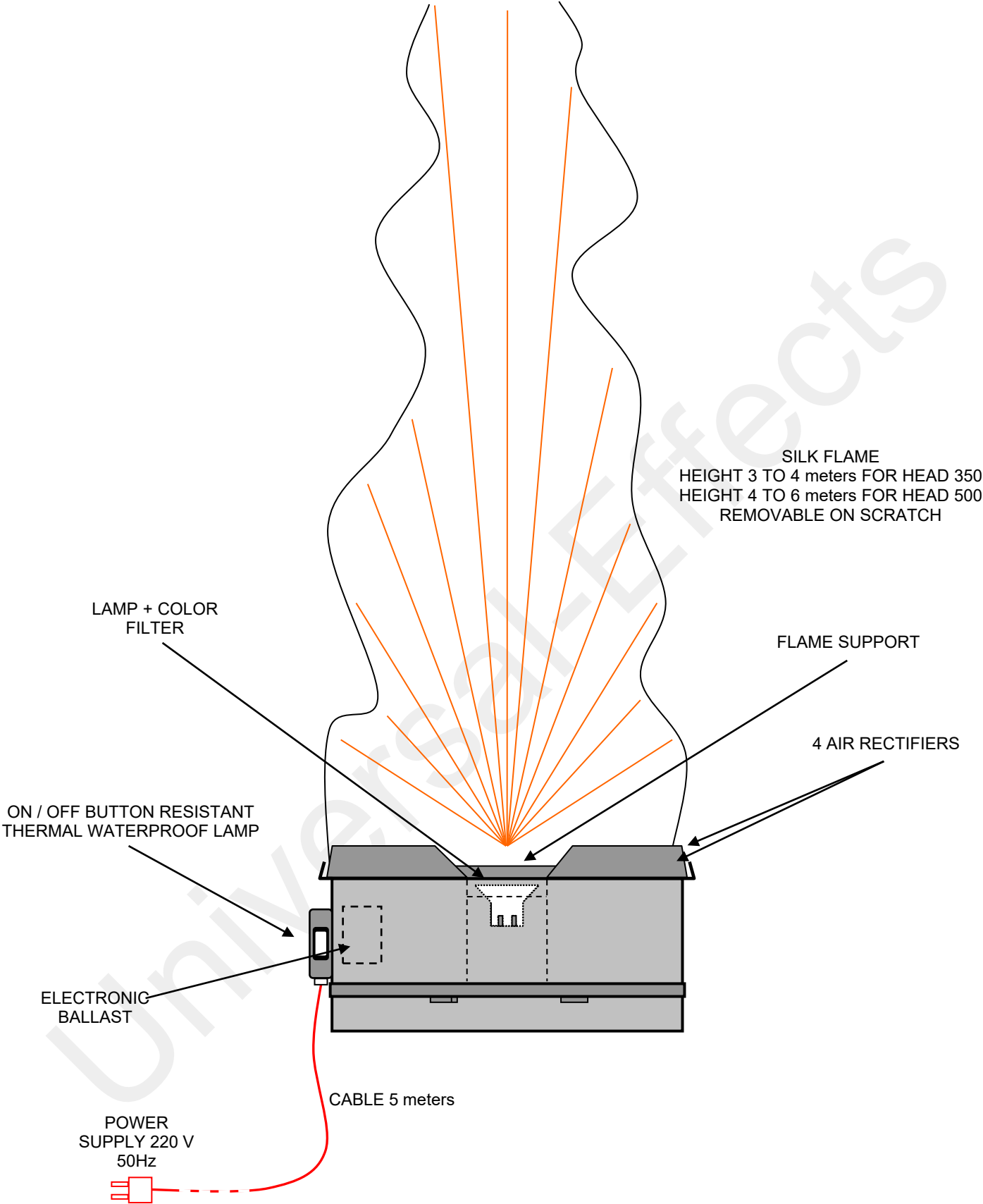
SCREWS AND HARDWARE IN STAINLESS – ALUMINIUM BODY – VERY COMPACT

COMBINATIONS WITH UE K-BASE 500



AIRFLAME MACHINE

TECHNICAL DIAGRAM – UE HEAD AIRFLAME LIGHT



- VERY POWERFUL LAMP (METALLIC IODIDE)
- REMOVABLE DICHROIC GLASS ORANGE FILTER

VISSERIE & QUINCAILLERIE EN INOX – CORPS EN ALUMINIUM