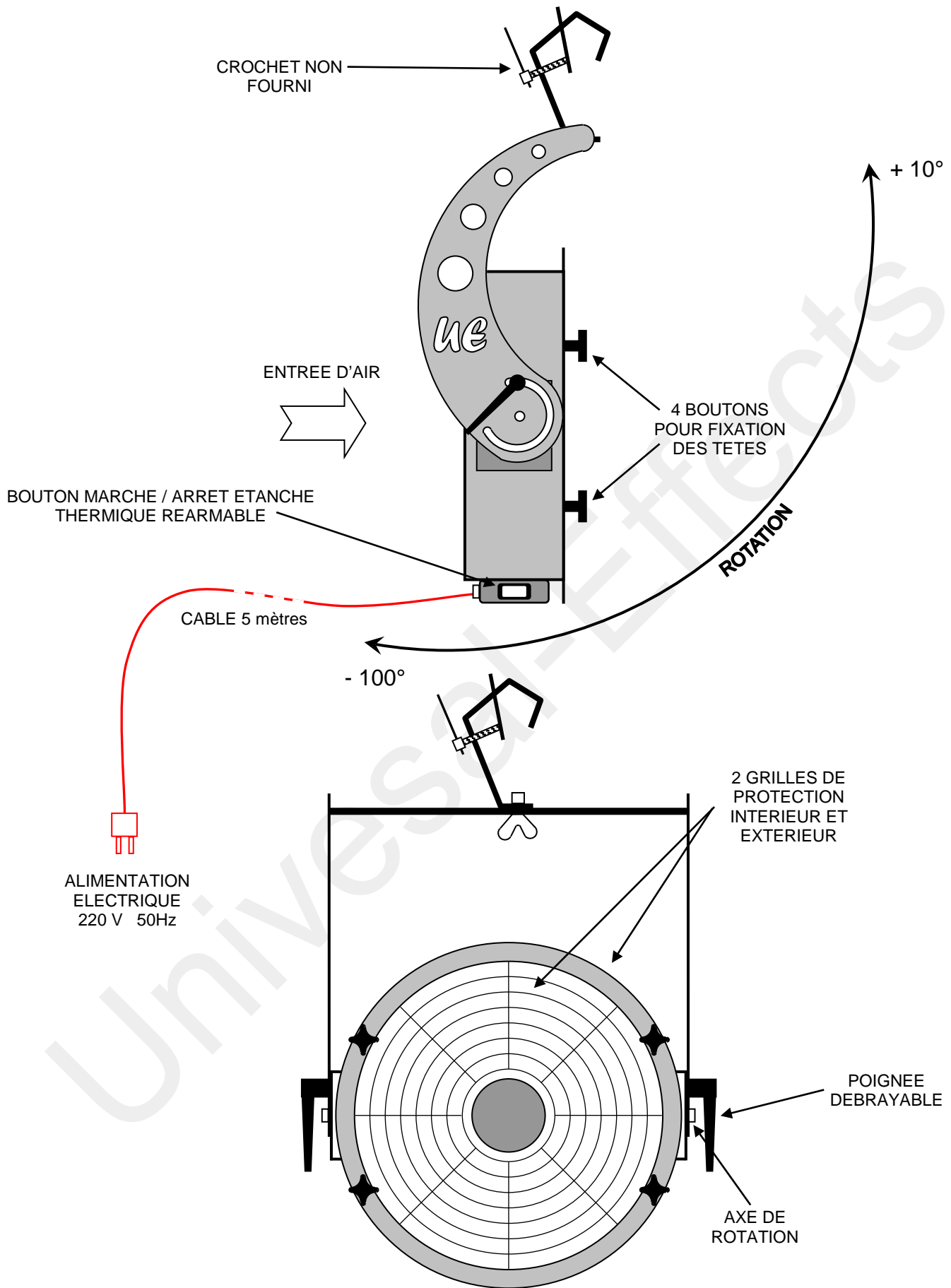
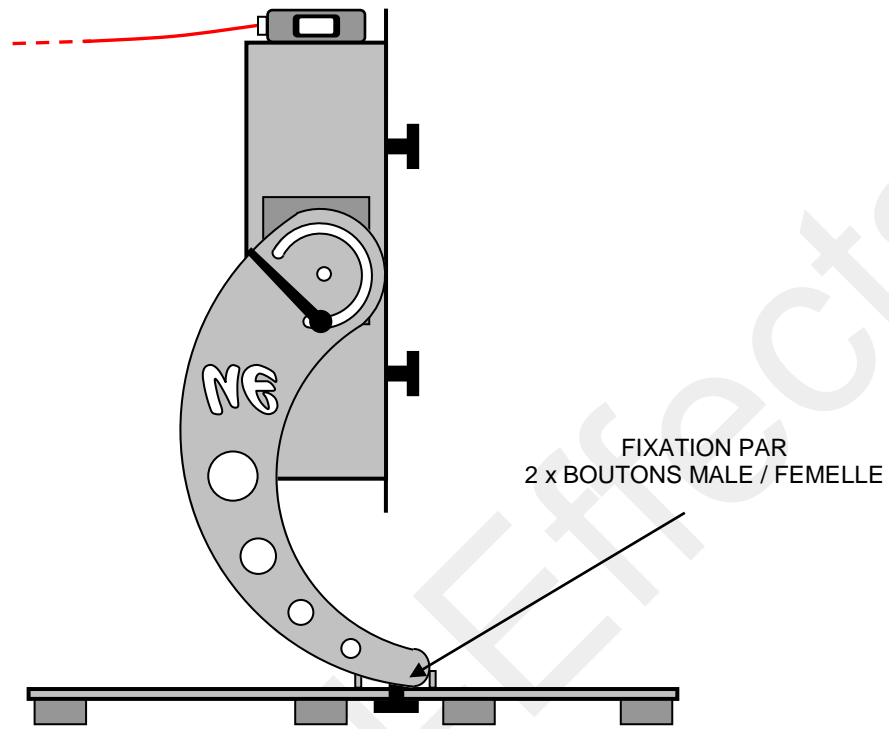


SCHEMA TECHNIQUE – UE K-BASE 350 & 500



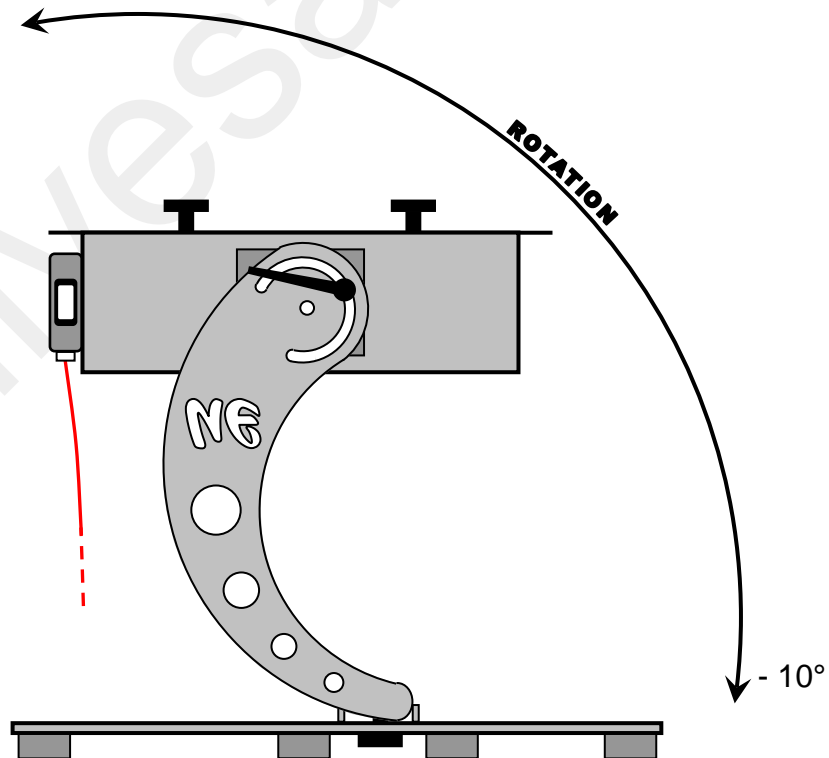
VISSERIE & QUINCAILLERIE EN INOX – CORPS EN ALUMINIUM – TRES COMPACTE

SCHEMA TECHNIQUE – UE K- BASE 350 & 500 AVEC OPTION SUPPORT DE SOL



SUPPORT DE SOL
REF : UE GROUND FOOT K-350 & K-500

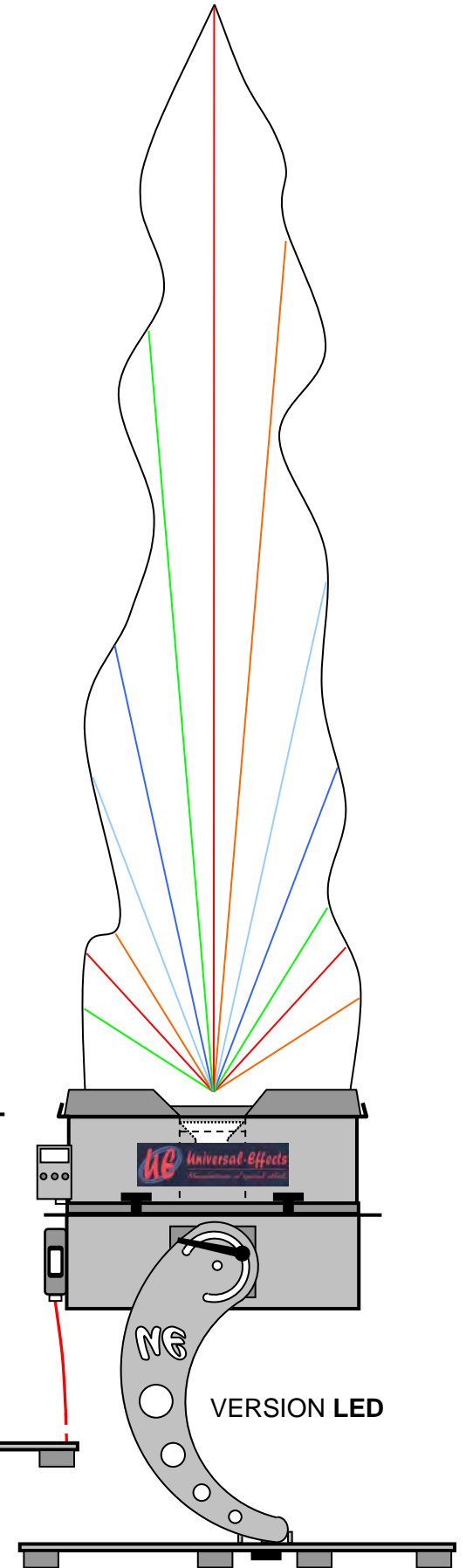
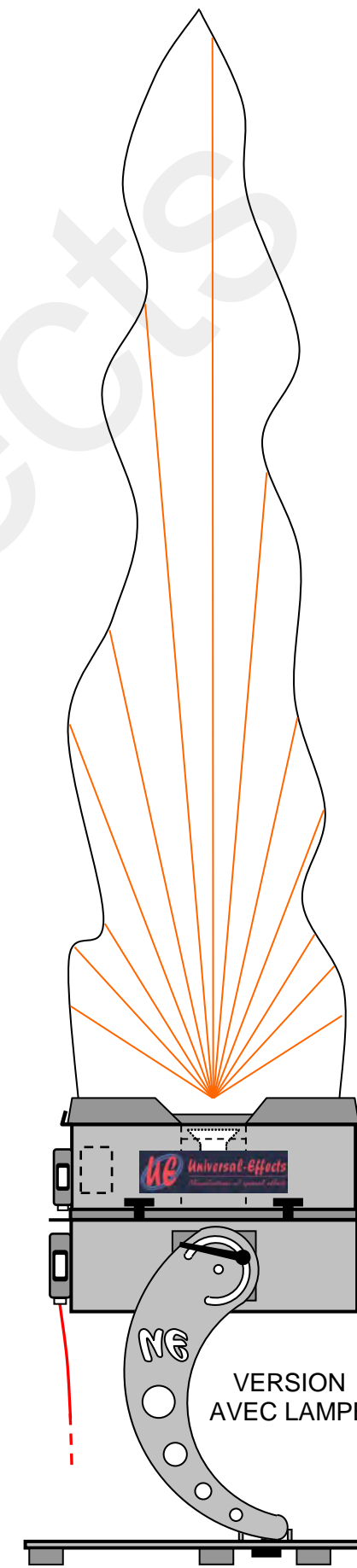
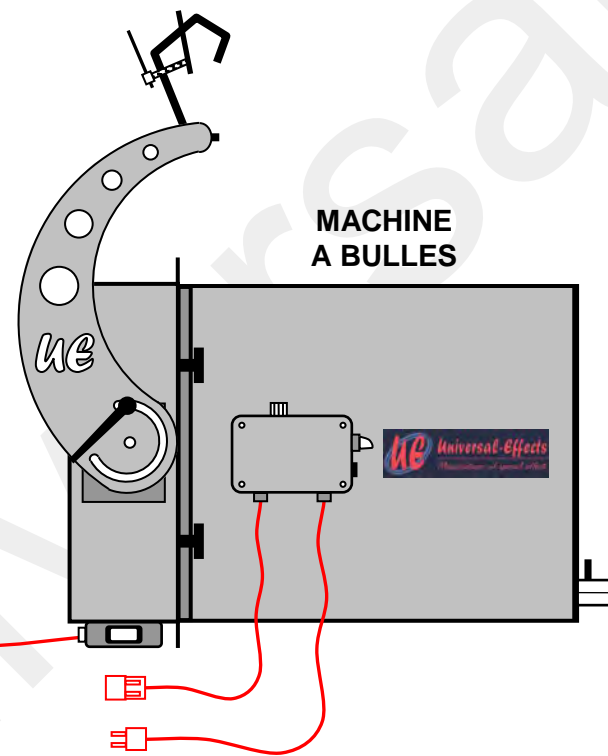
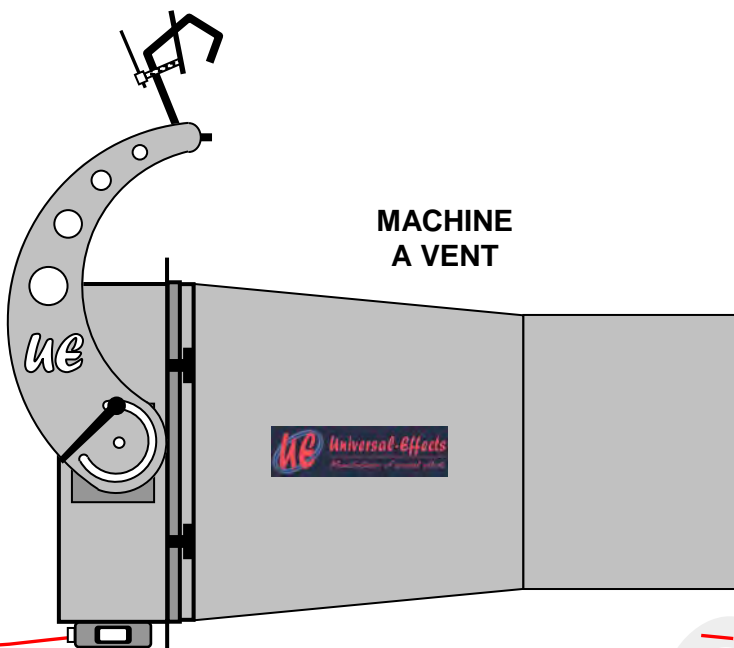
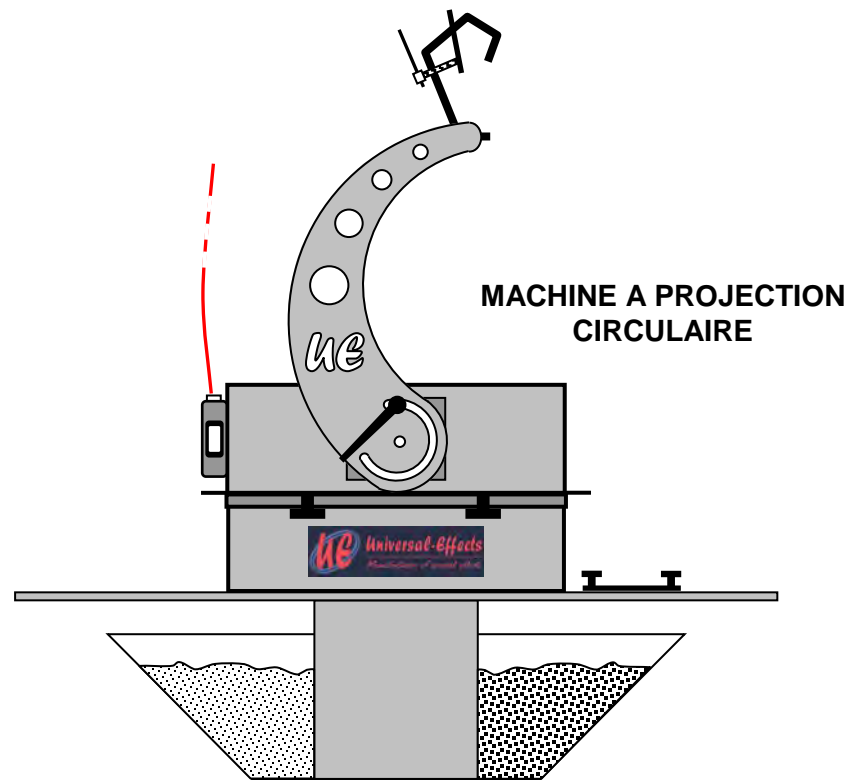
+ 100°



- 10°

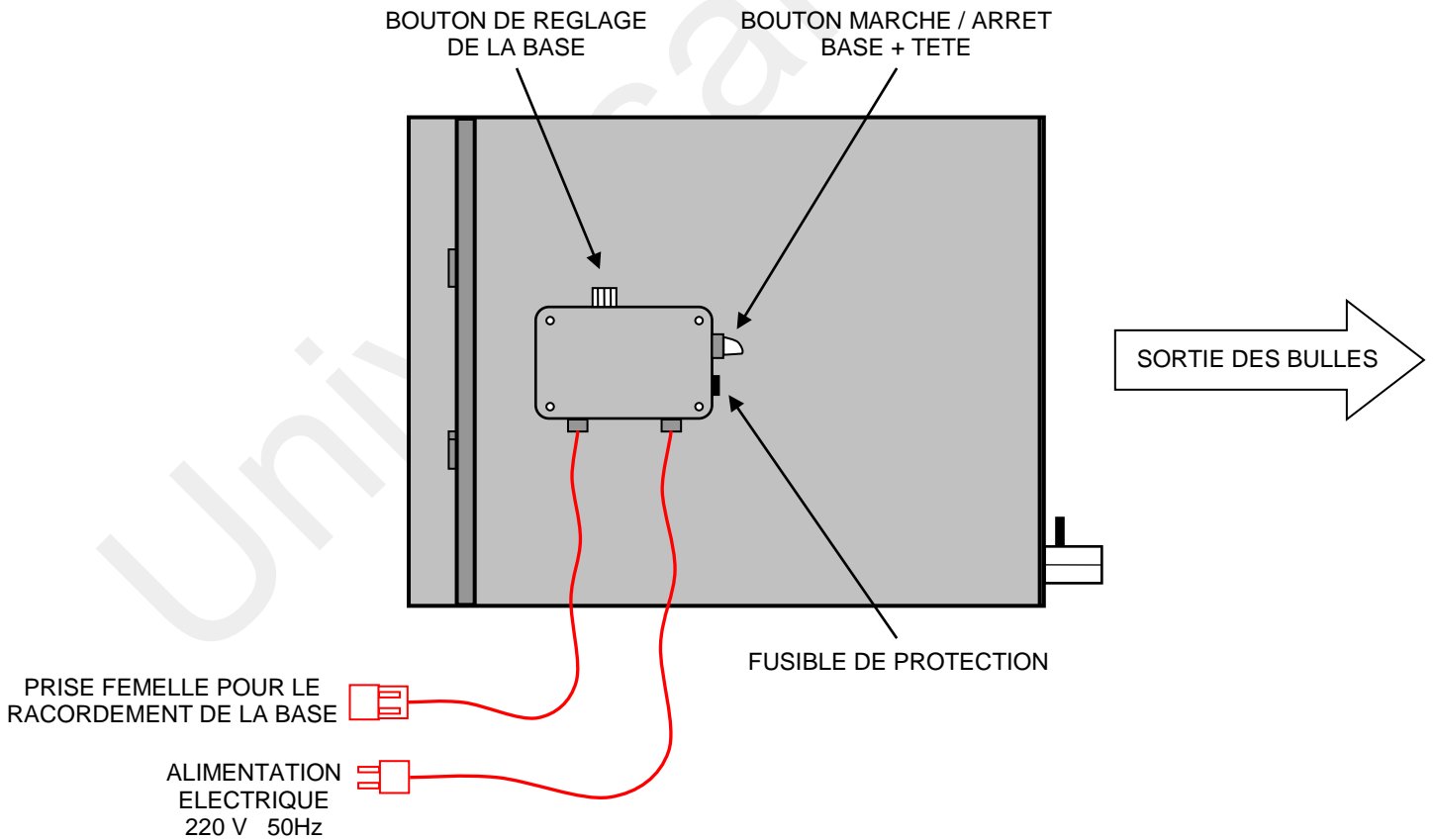
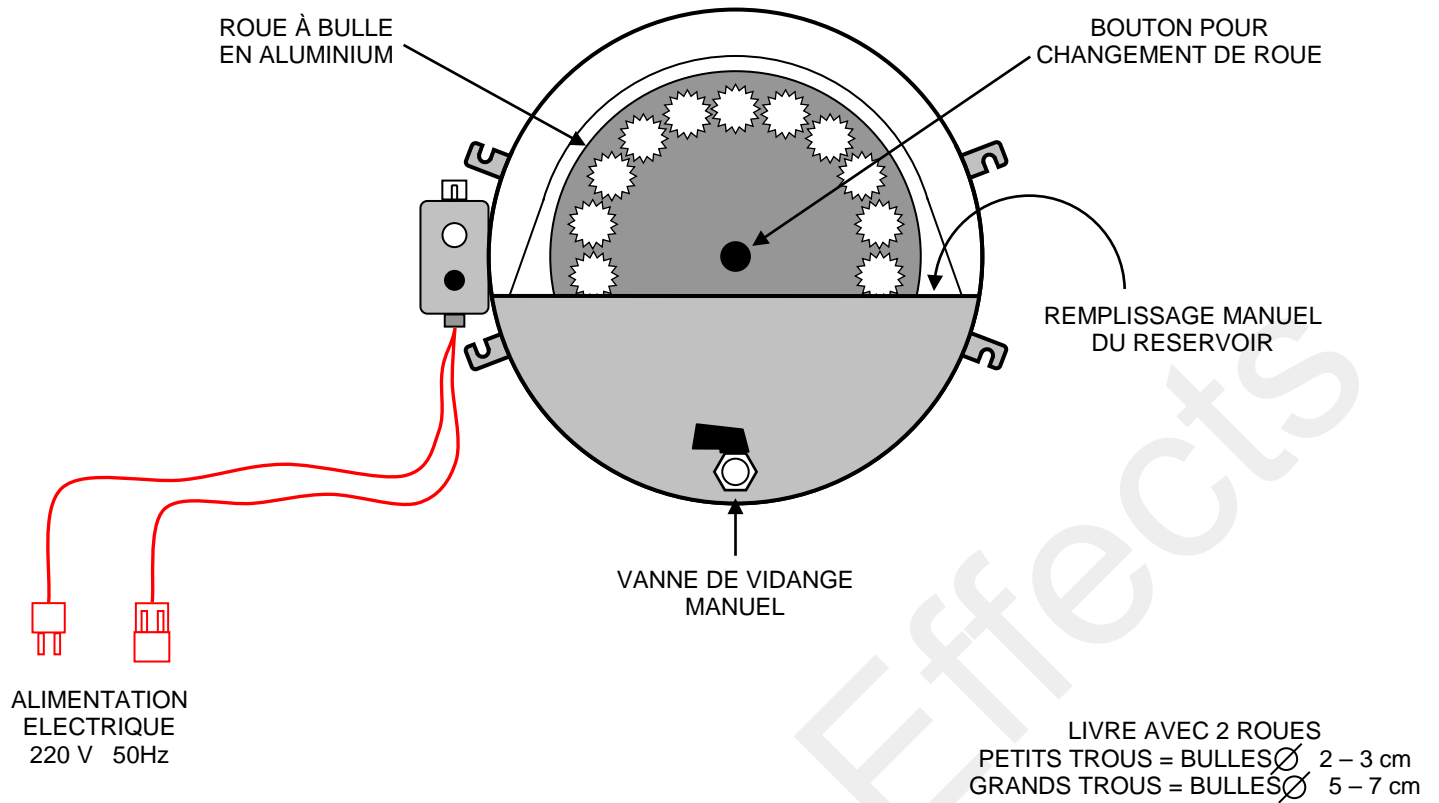
VISSERIE & QUINCAILLERIE EN INOX – CORPS EN ALUMINIUM – TRES COMPACTE

LES COMBINAISONS AVEC UE K-BASE 500



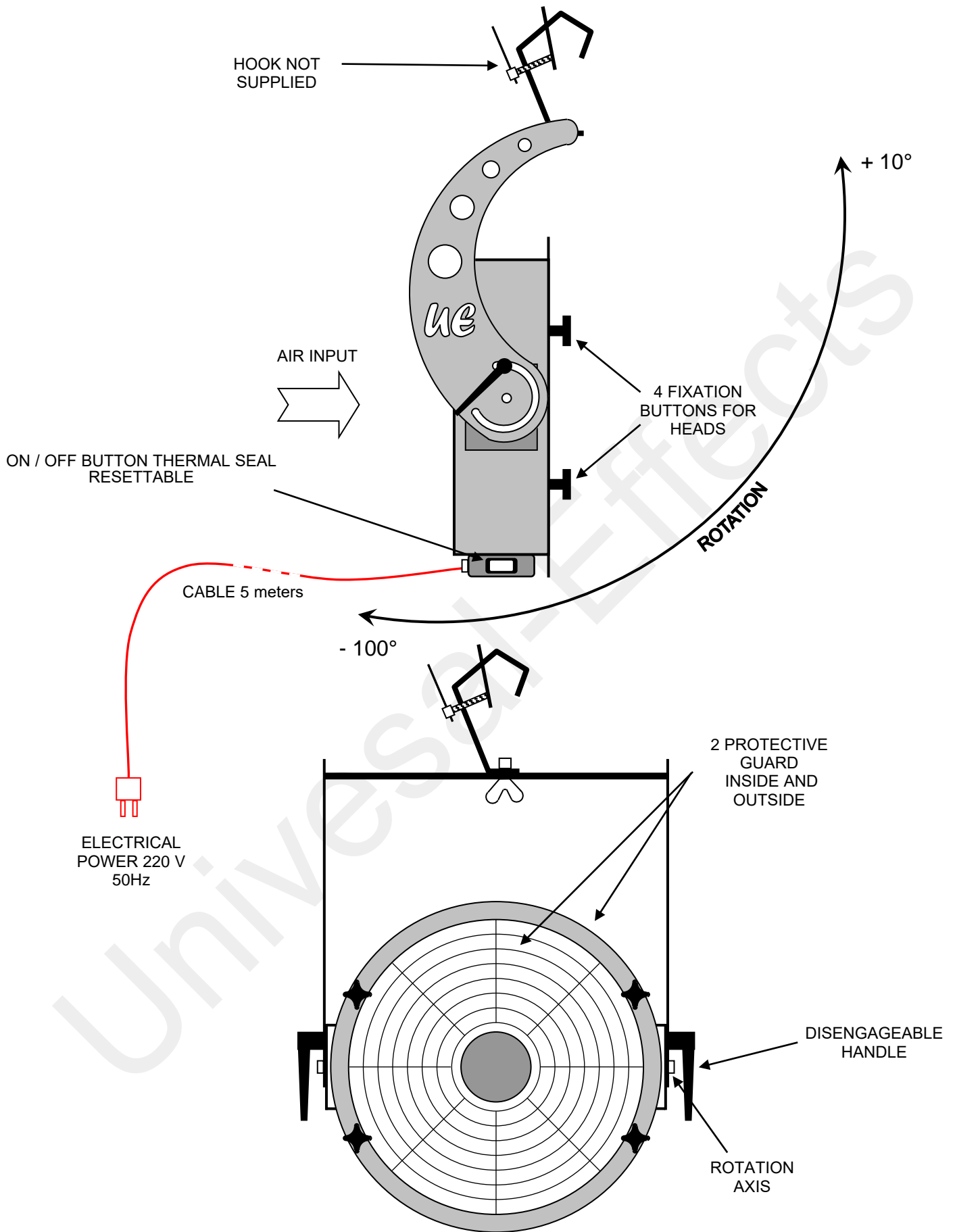
MACHINE A FLAMME DE SOIE

SCHEMA TECHNIQUE – UE HEAD JET-BUBBLES



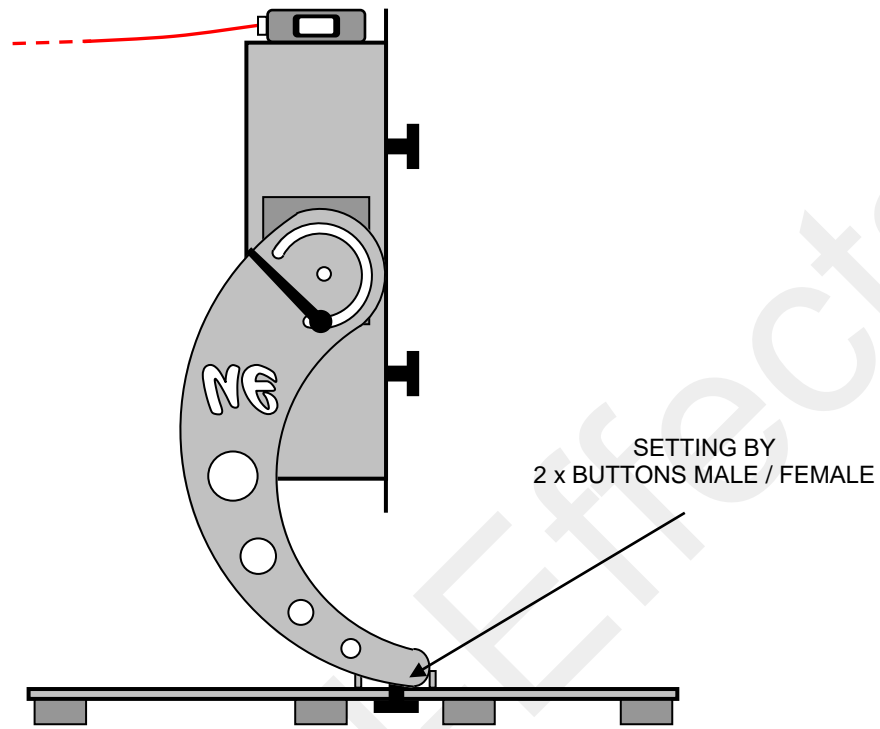
QUINCAILLERIE & VISSERIE EN INOX – COPRS EN ALUMINIUM

TECHNICAL DIAGRAM – UE K-BASE 350 & 500



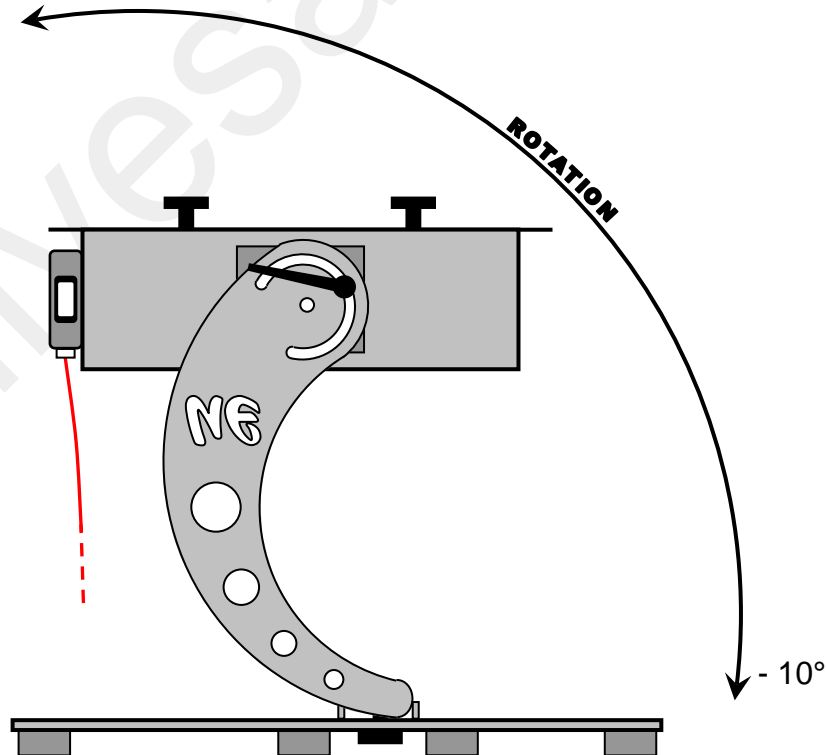
SCREWS AND HARDWARE IN STAINLESS – ALUMINIUM BODY – VERY COMPACT

TECHNICAL DIAGRAM – UE K- BASE 350 & 500 WITH GROUND SUPPORT OPTION



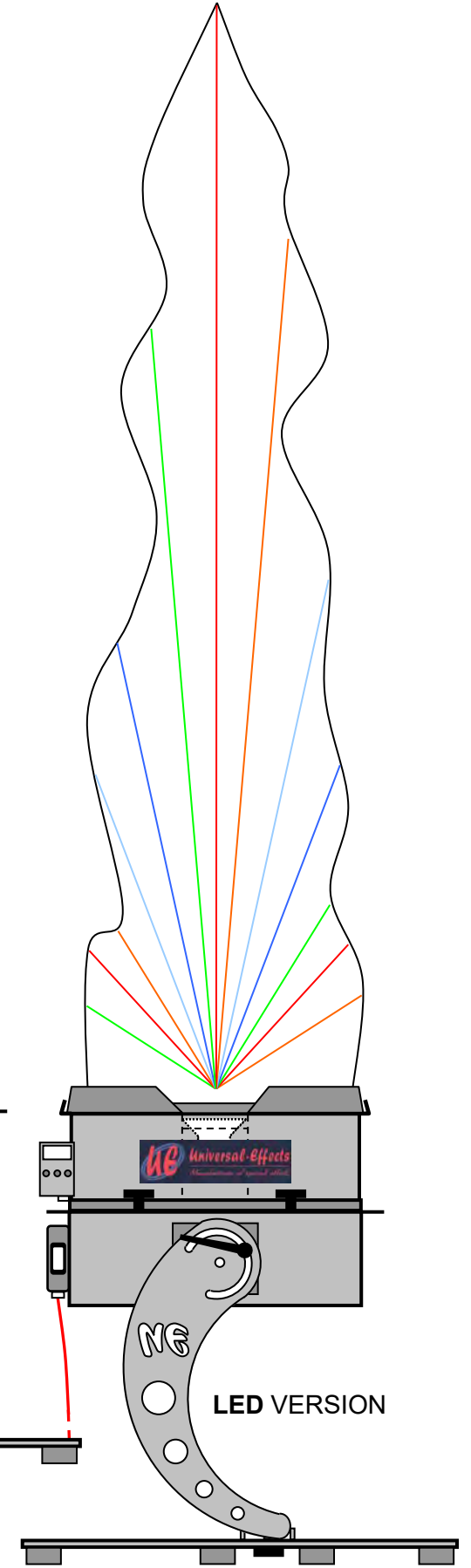
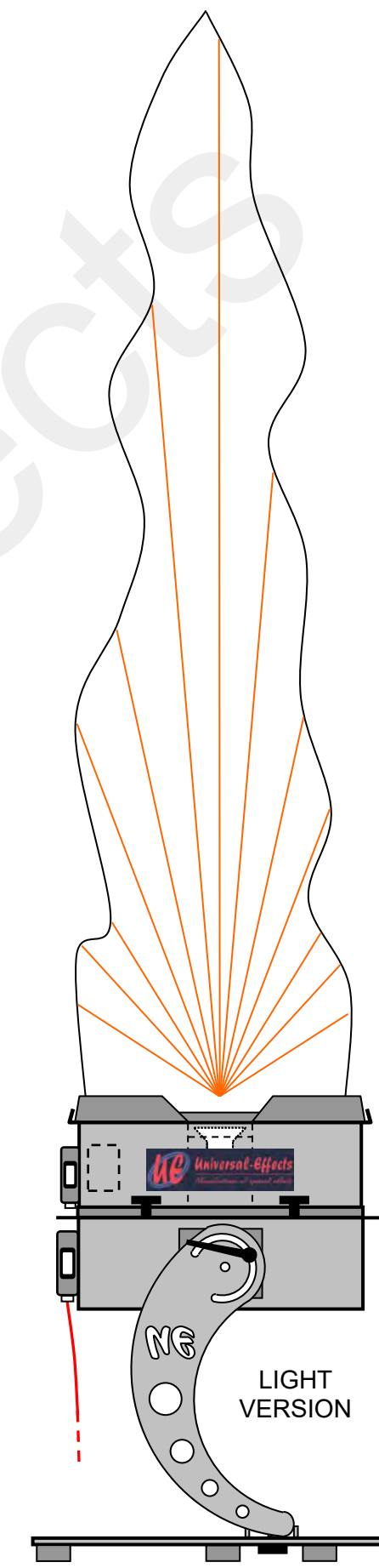
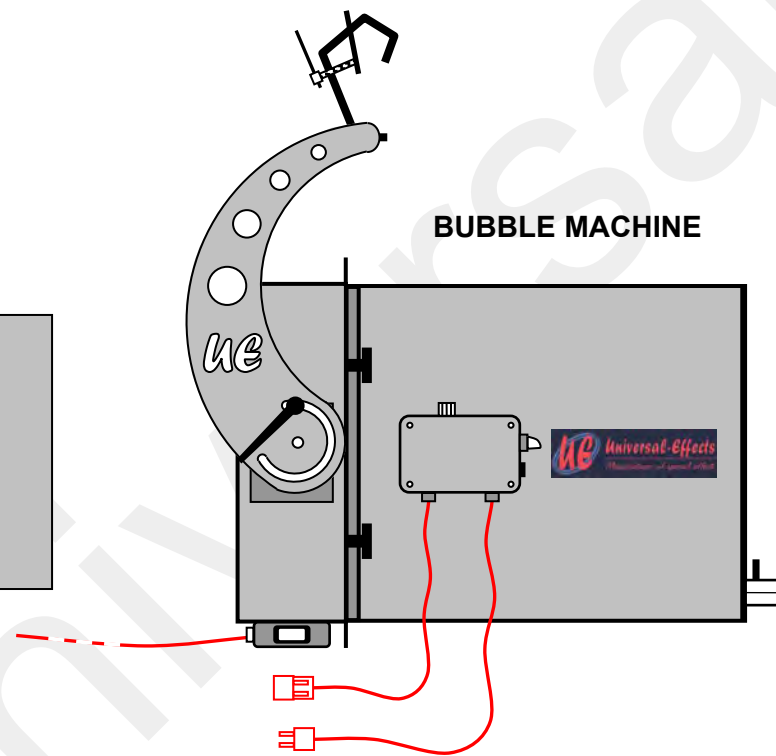
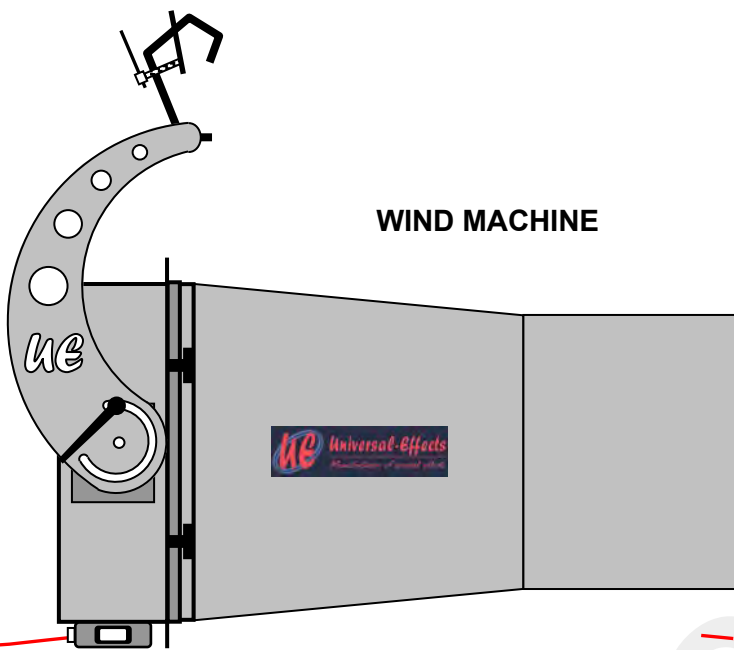
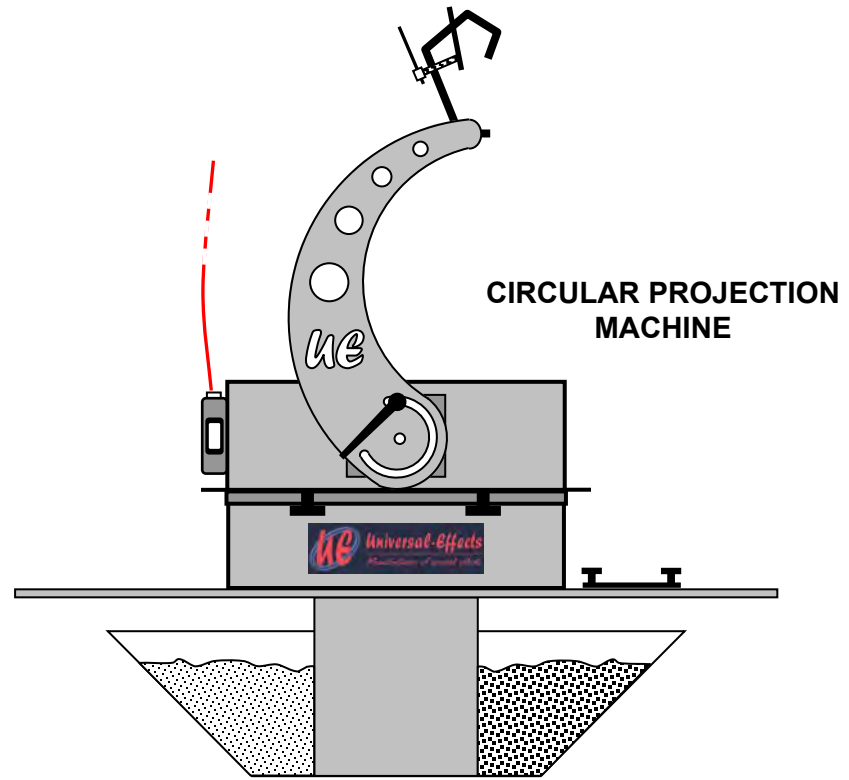
GROUND SUPPORT
REF : UE GROUND FOOT K-350 & K-500

+ 100°



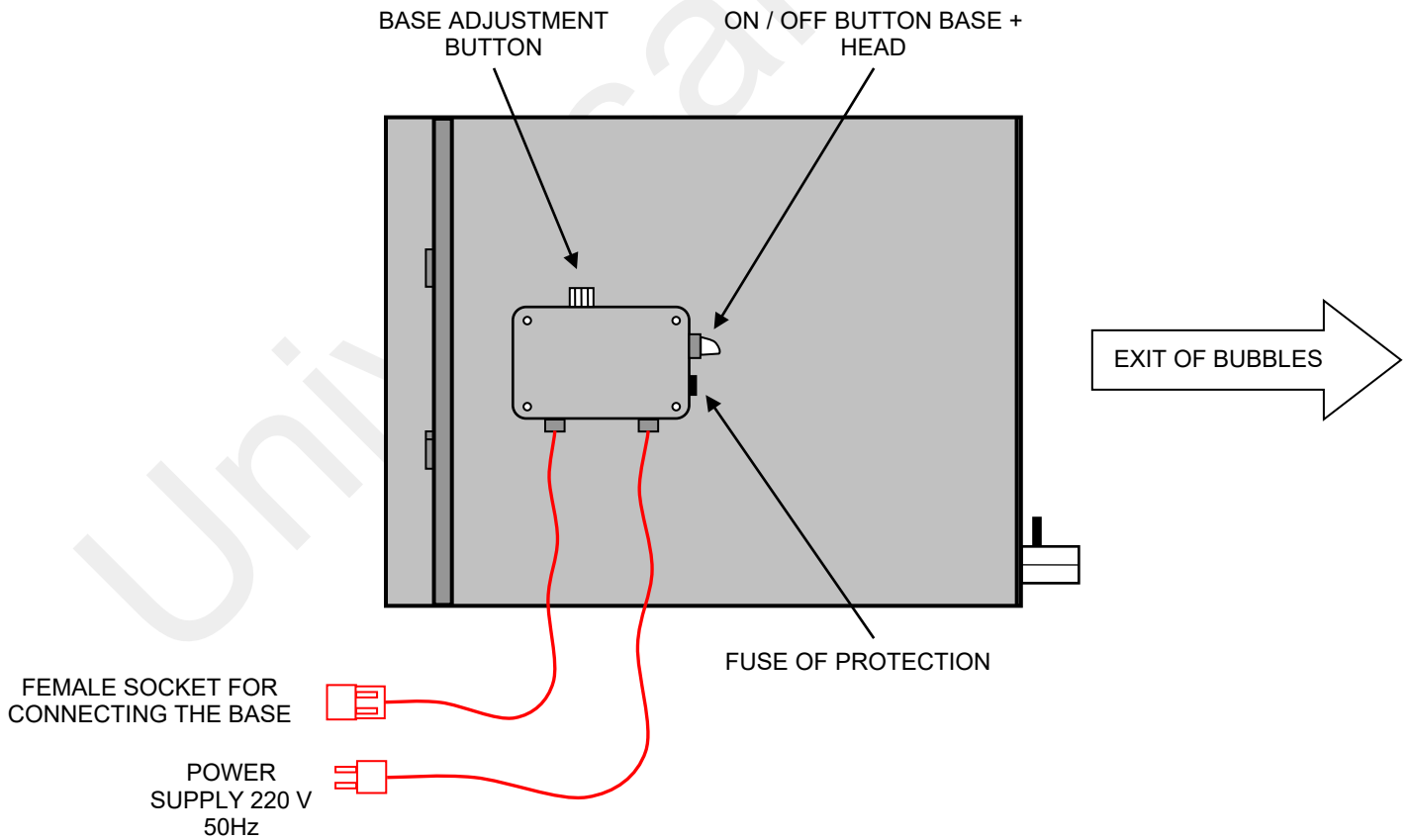
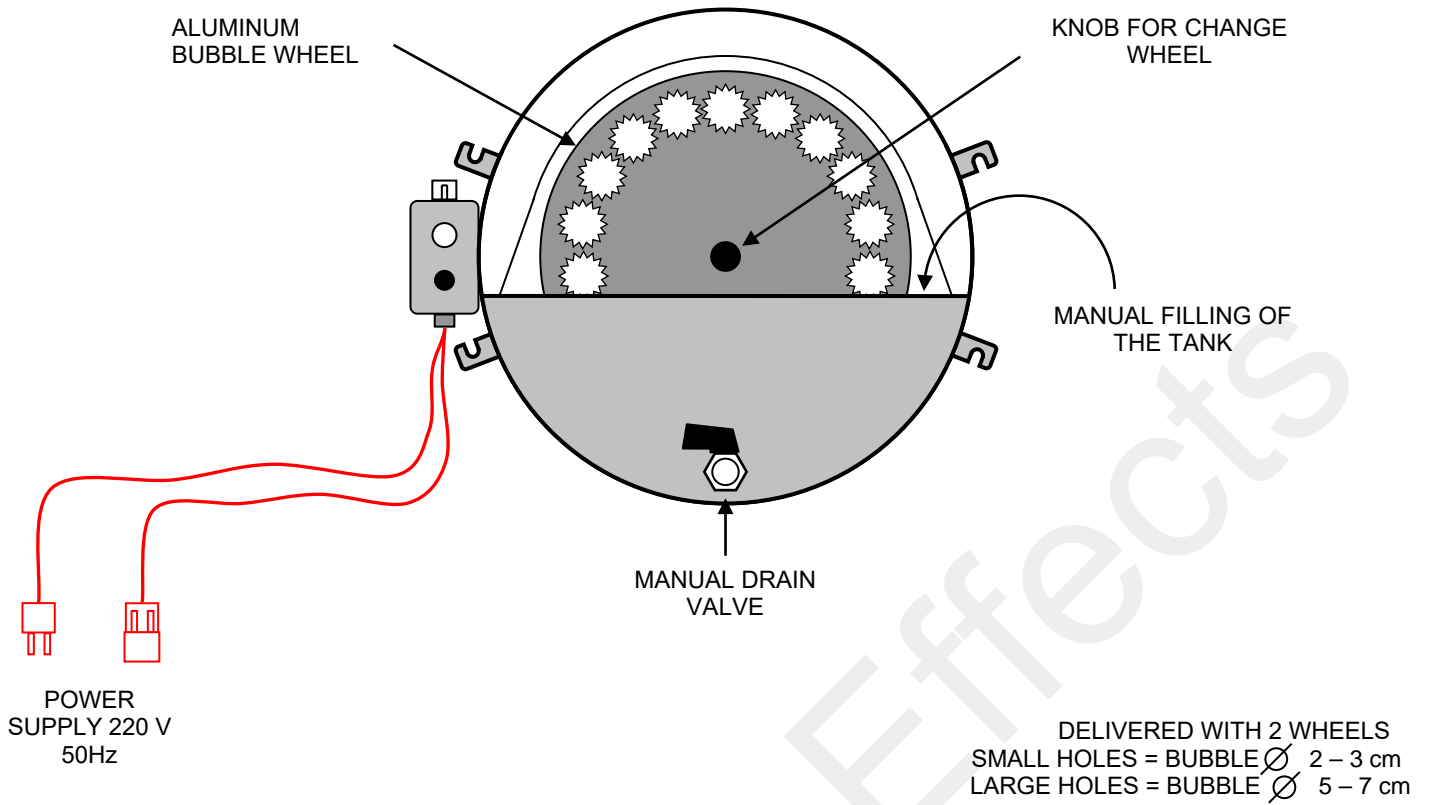
SCREWS AND HARDWARE IN STAINLESS – ALUMINIUM BODY – VERY COMPACT

COMBINATIONS WITH UE K-BASE 500



AIRFLAME MACHINE

TECHNICAL DIAGRAM – UE HEAD JET-BUBBLES



STAINLESS SCREWS & HARDWARE - ALUMINUM BODY