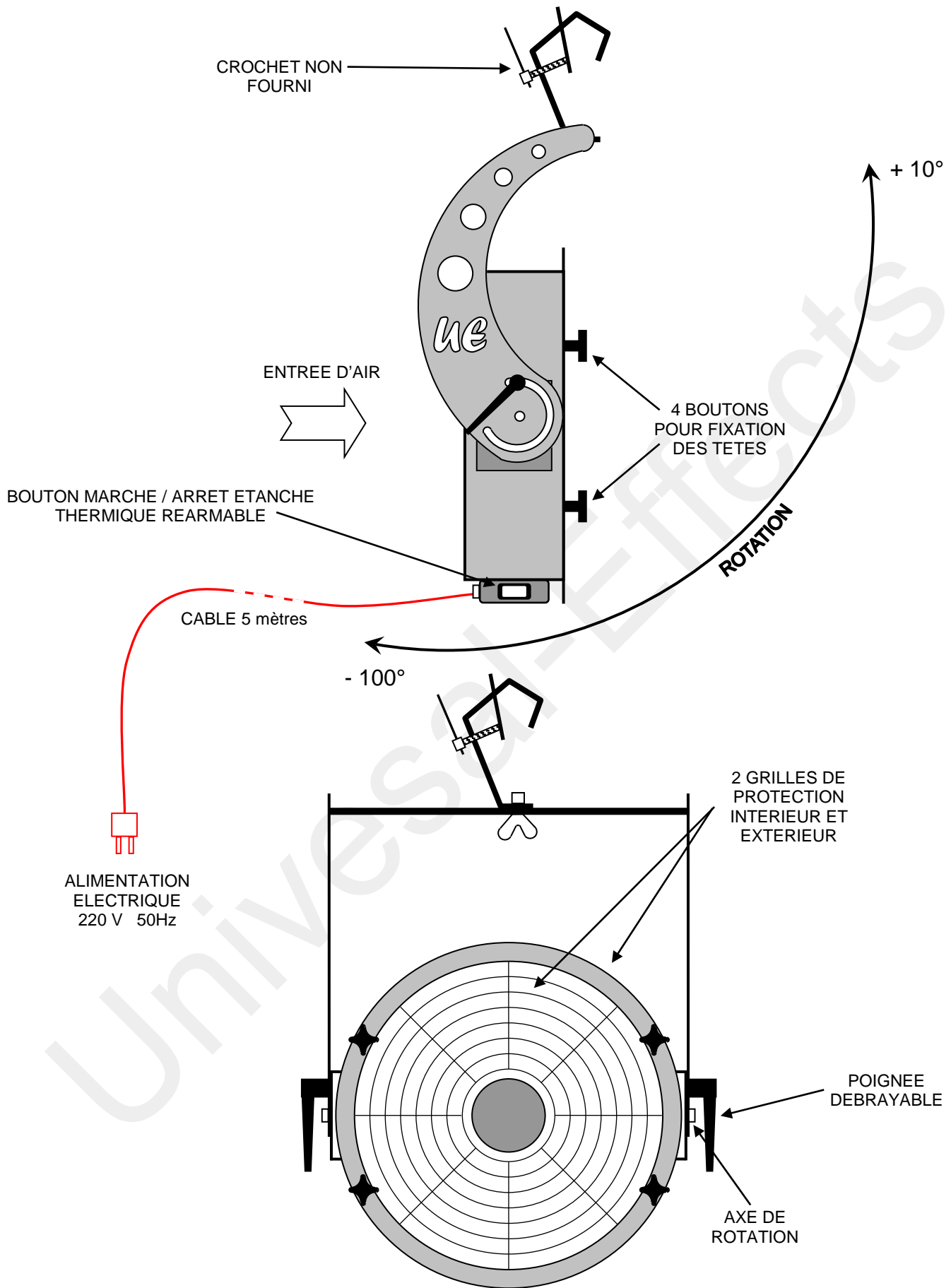
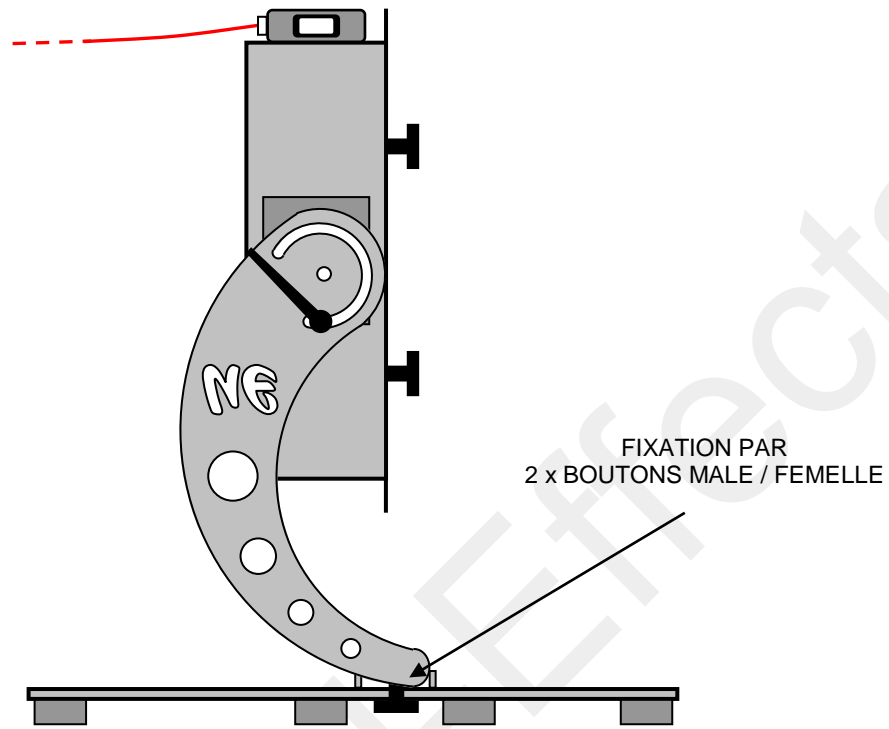


SCHEMA TECHNIQUE – UE K-BASE 350 & 500



VISSERIE & QUINCAILLERIE EN INOX – CORPS EN ALUMINIUM – TRES COMPACTE

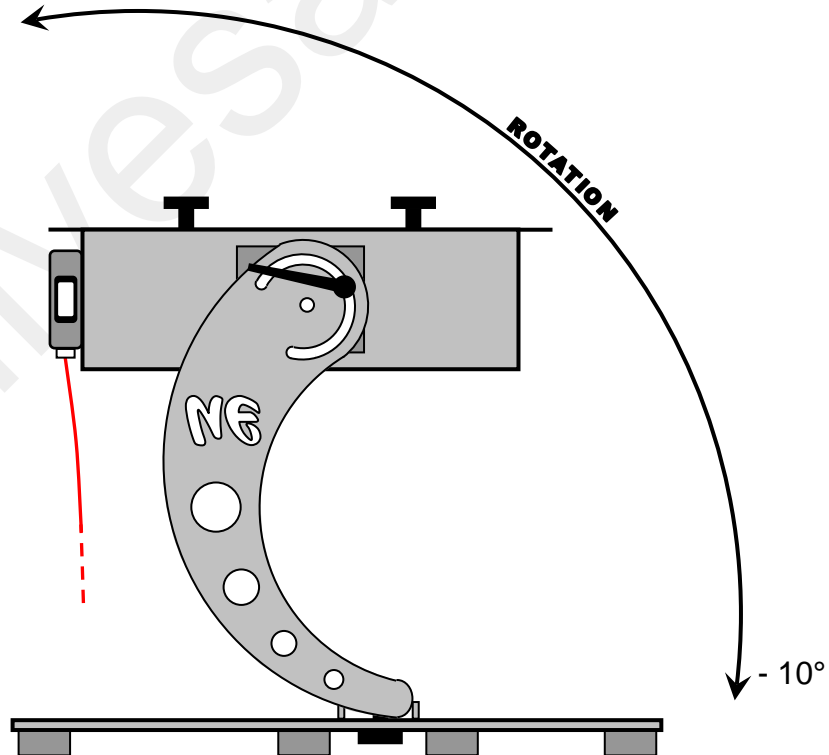
SCHEMA TECHNIQUE – UE K- BASE 350 & 500 AVEC OPTION SUPPORT DE SOL



FIXATION PAR
2 x BOUTONS MALE / FEMELLE

SUPPORT DE SOL
REF : UE GROUND FOOT K-350 & K-500

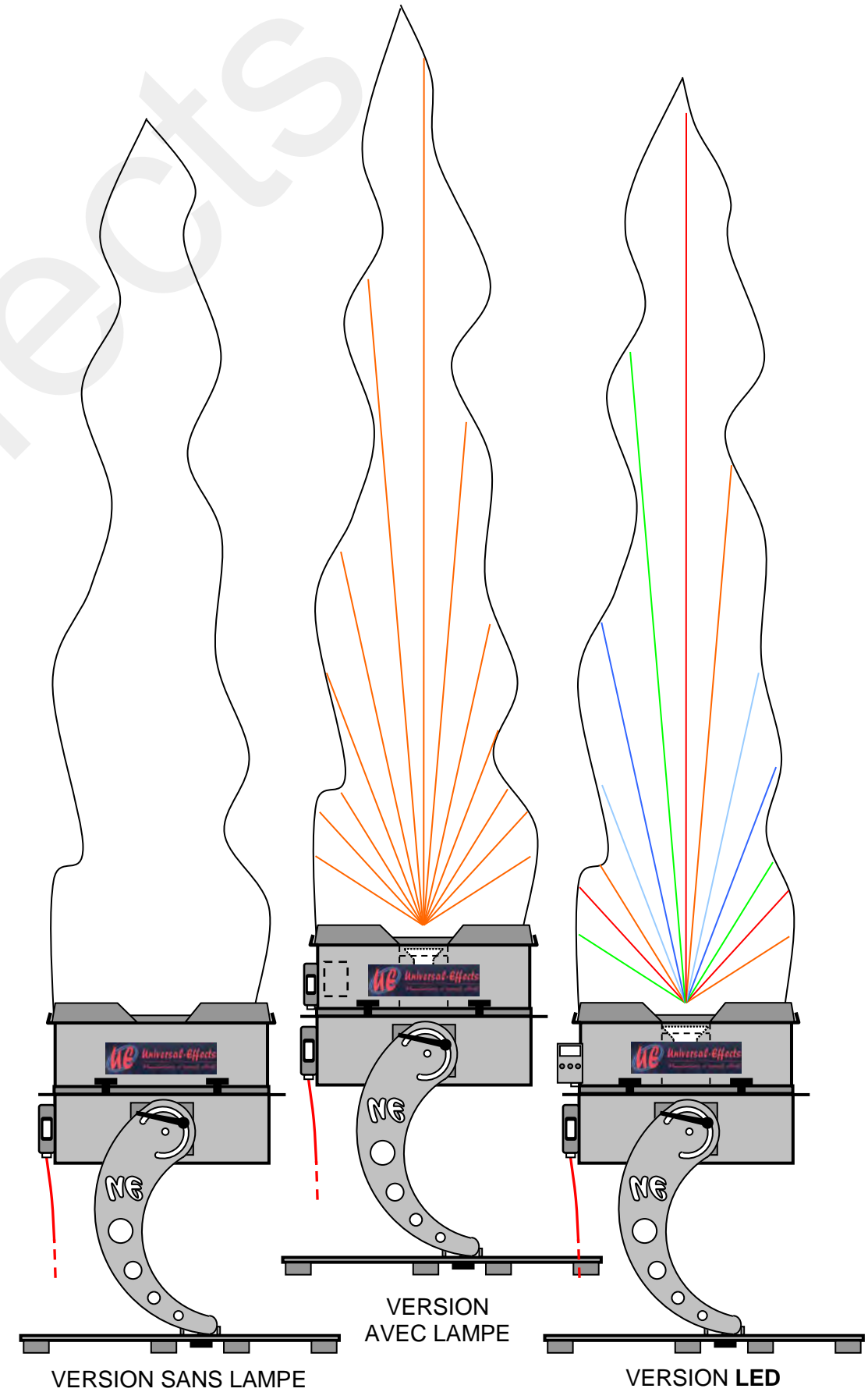
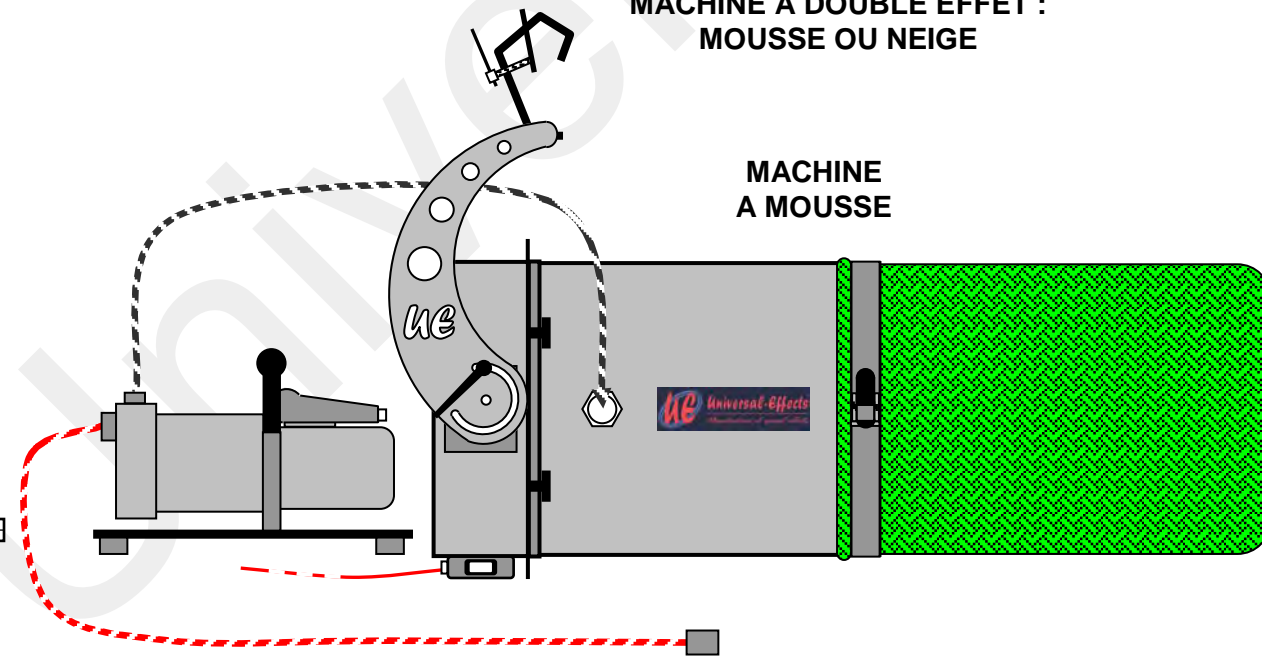
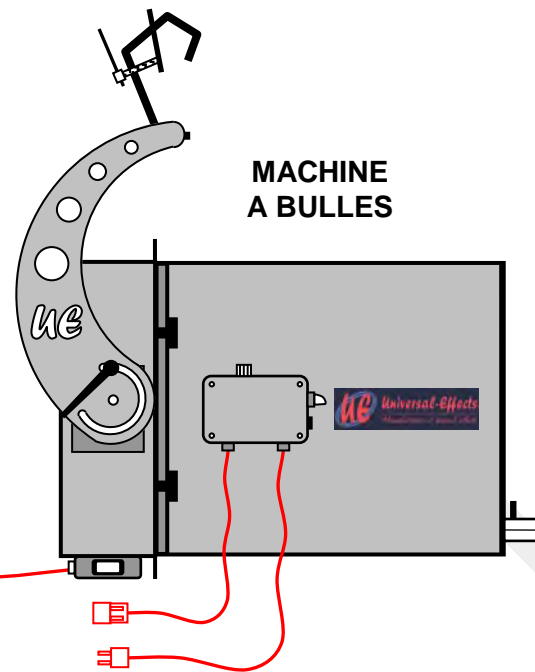
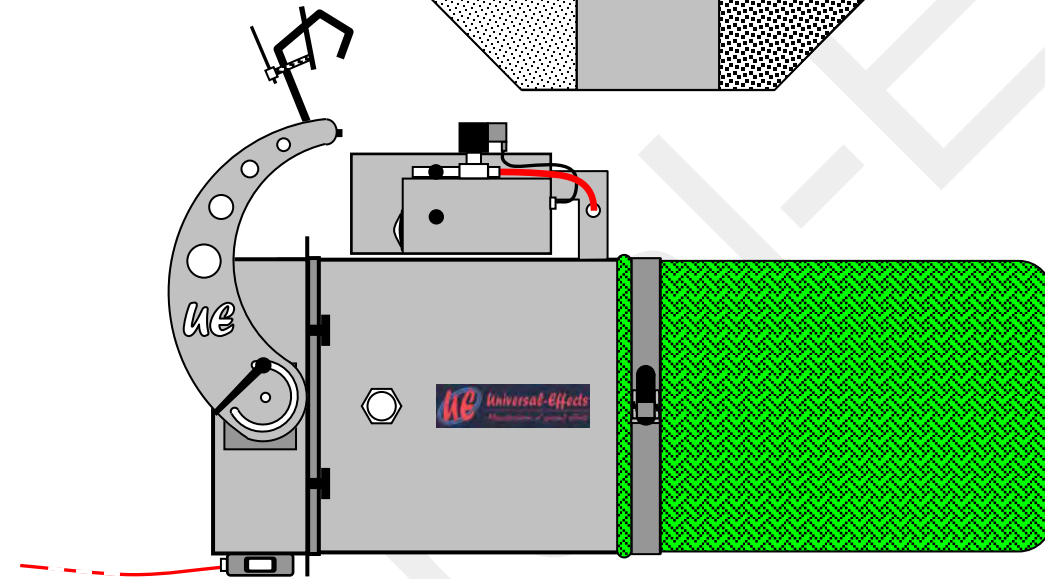
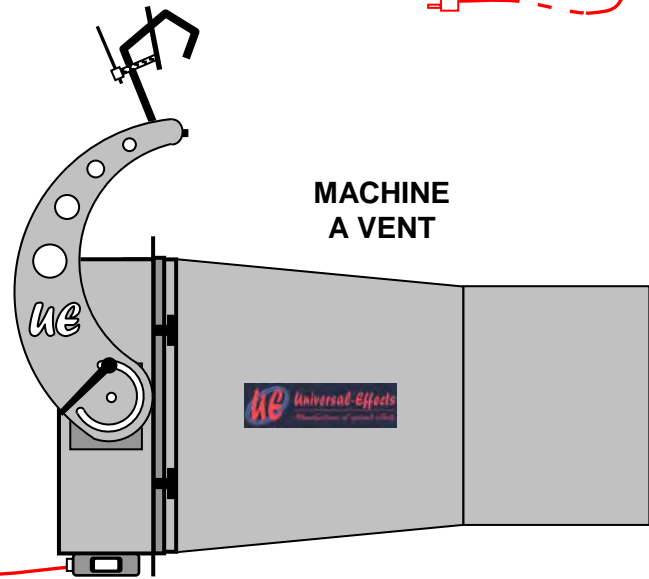
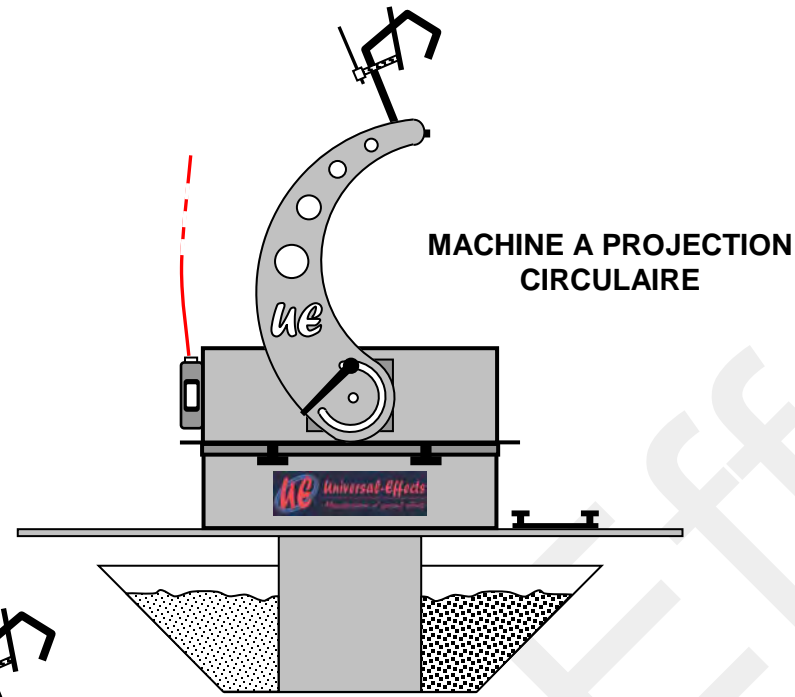
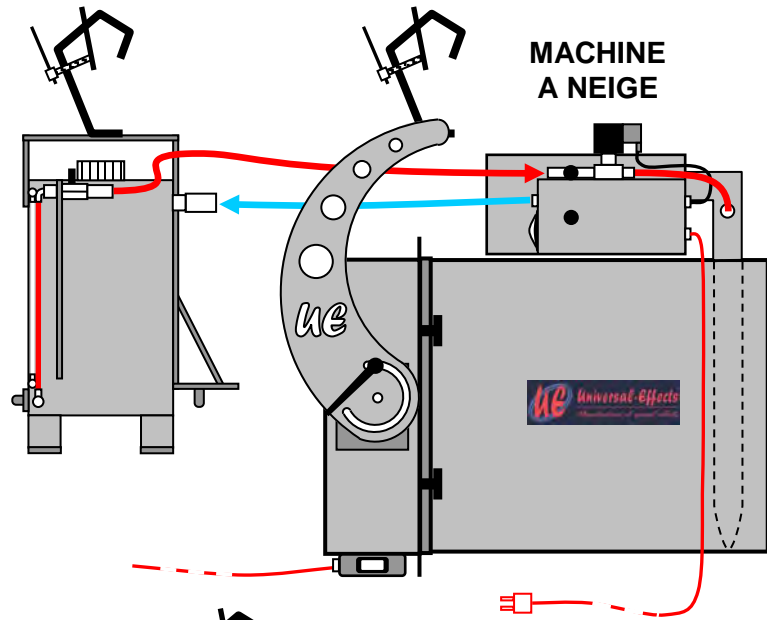
+ 100°



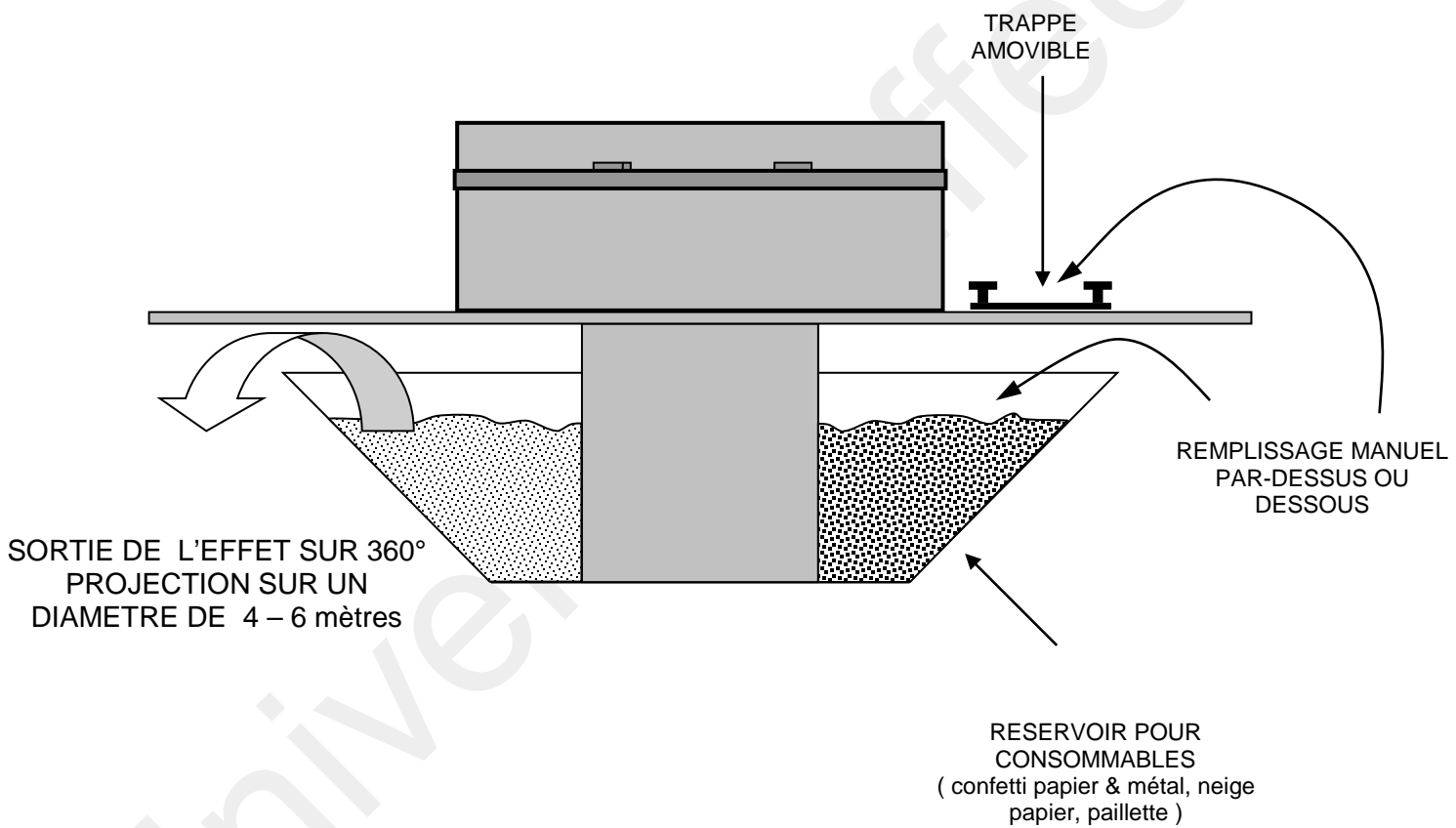
- 10°

VISSERIE & QUINCAILLERIE EN INOX – CORPS EN ALUMINIUM – TRES COMPACTE

LES COMBINAISONS AVEC UE K-BASE 350

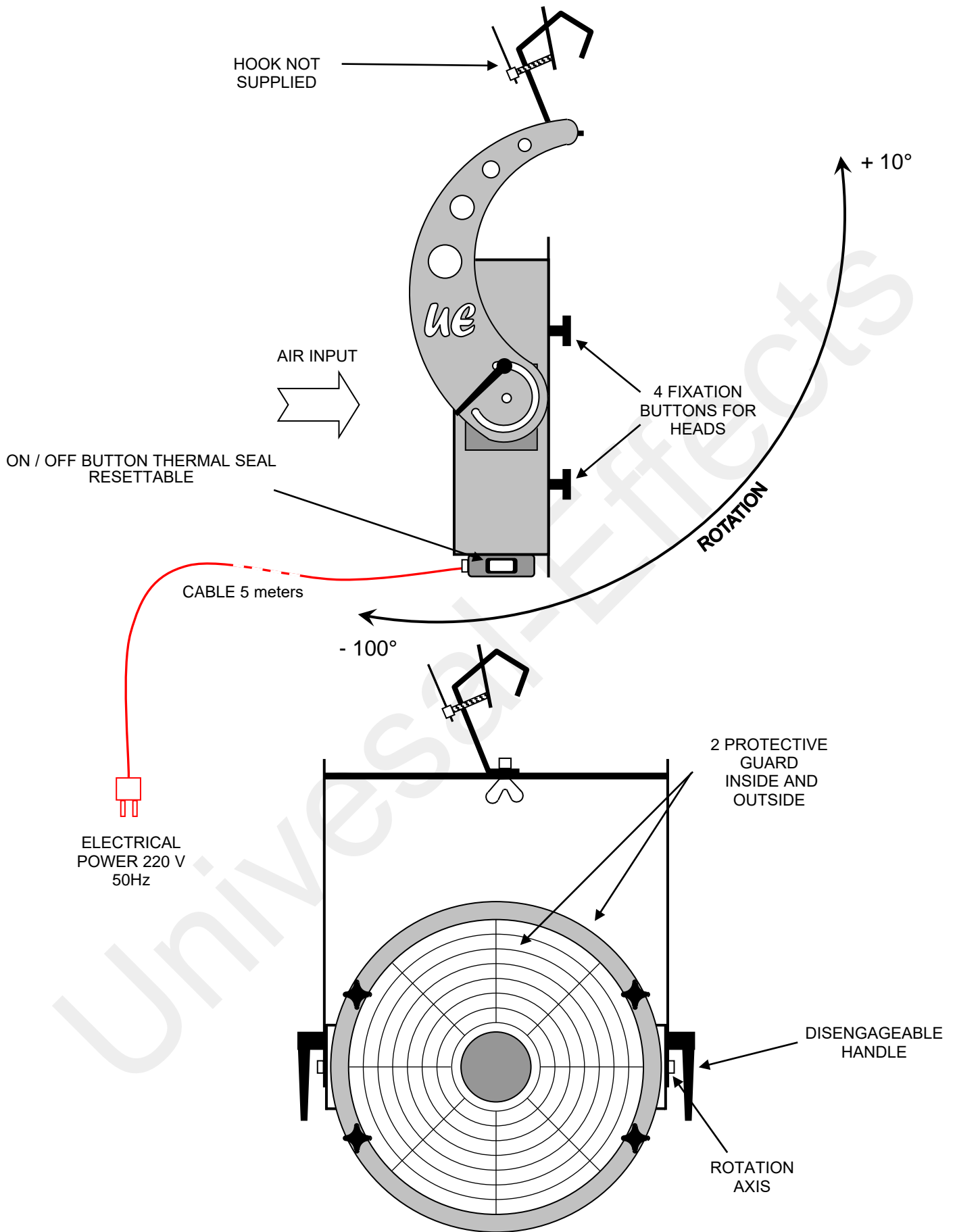


SCHEMA TECHNIQUE – UE HEAD STRIPEASE



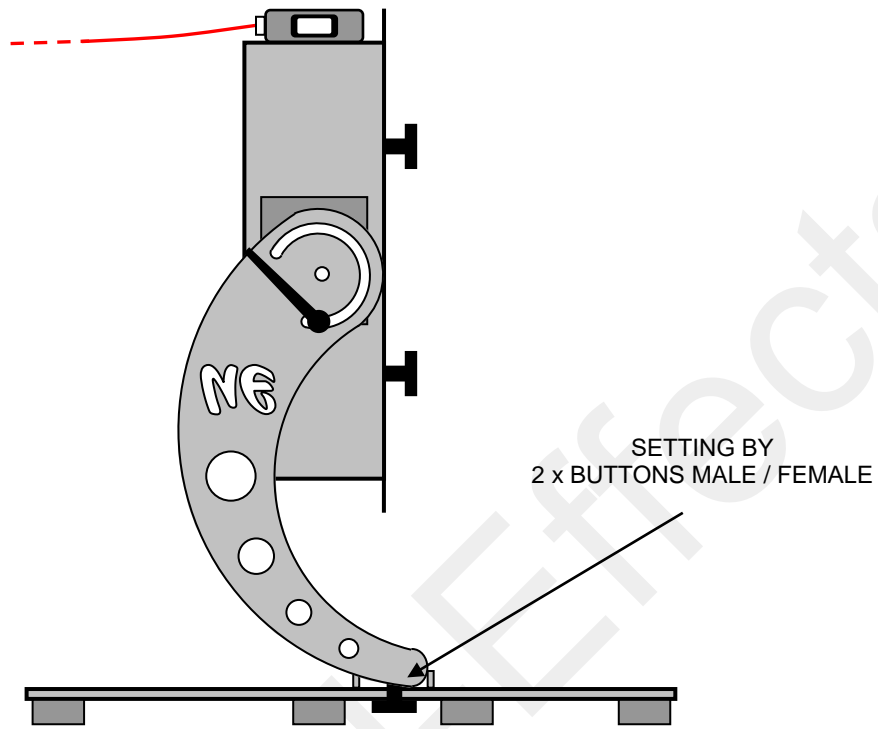
VISSERIE & QUINCAILLERIE EN INOX – CORPS EN ALUMINIUM

TECHNICAL DIAGRAM – UE K-BASE 350 & 500



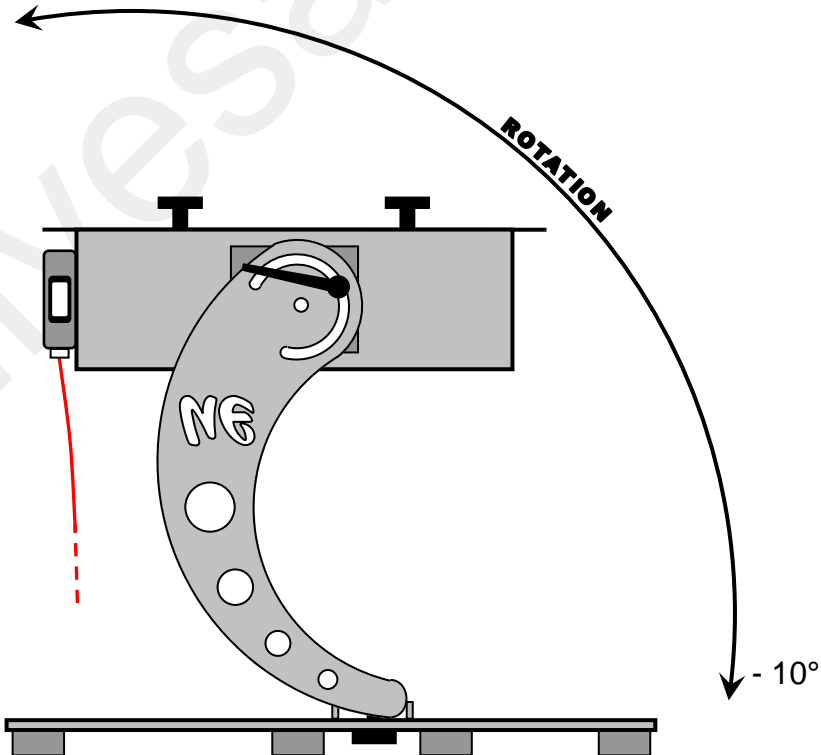
SCREWS AND HARDWARE IN STAINLESS – ALUMINIUM BODY – VERY COMPACT

TECHNICAL DIAGRAM – UE K- BASE 350 & 500 WITH GROUND SUPPORT OPTION



GROUND SUPPORT
REF : UE GROUND FOOT K-350 & K-500

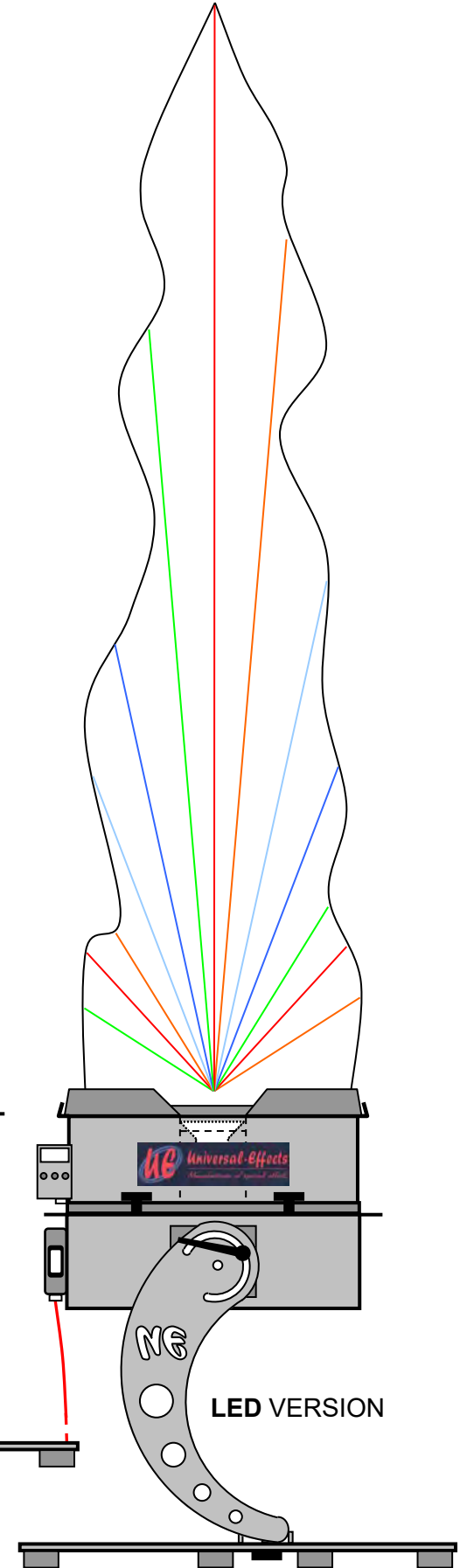
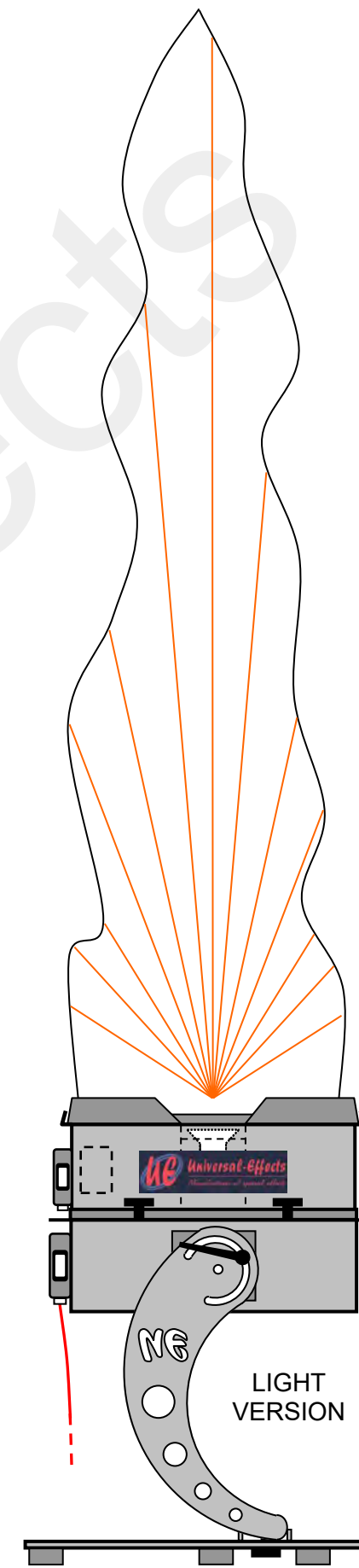
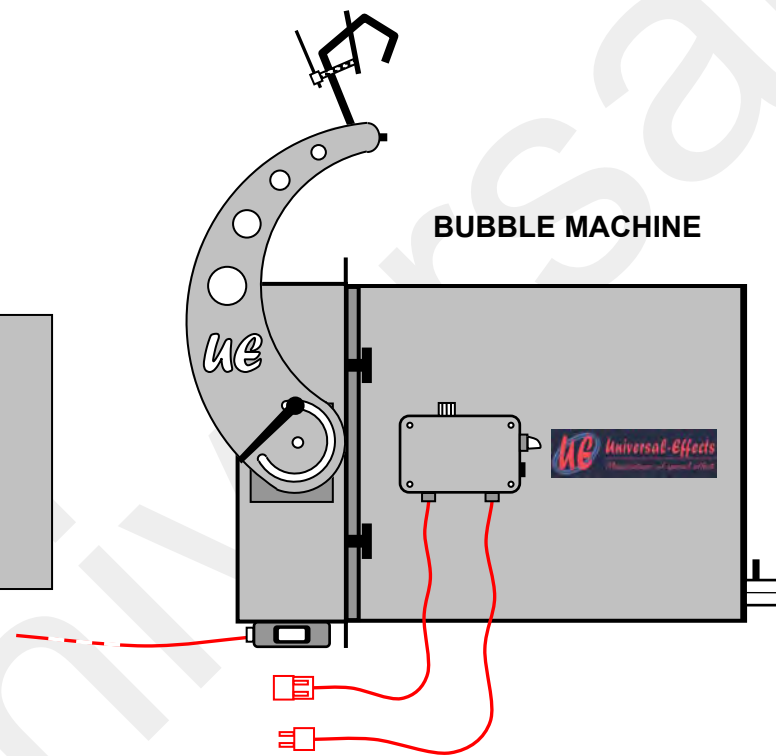
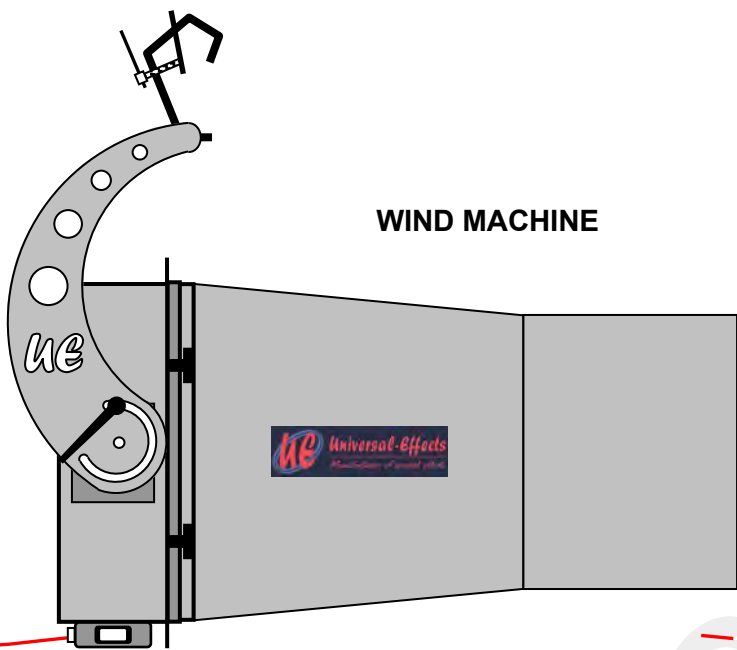
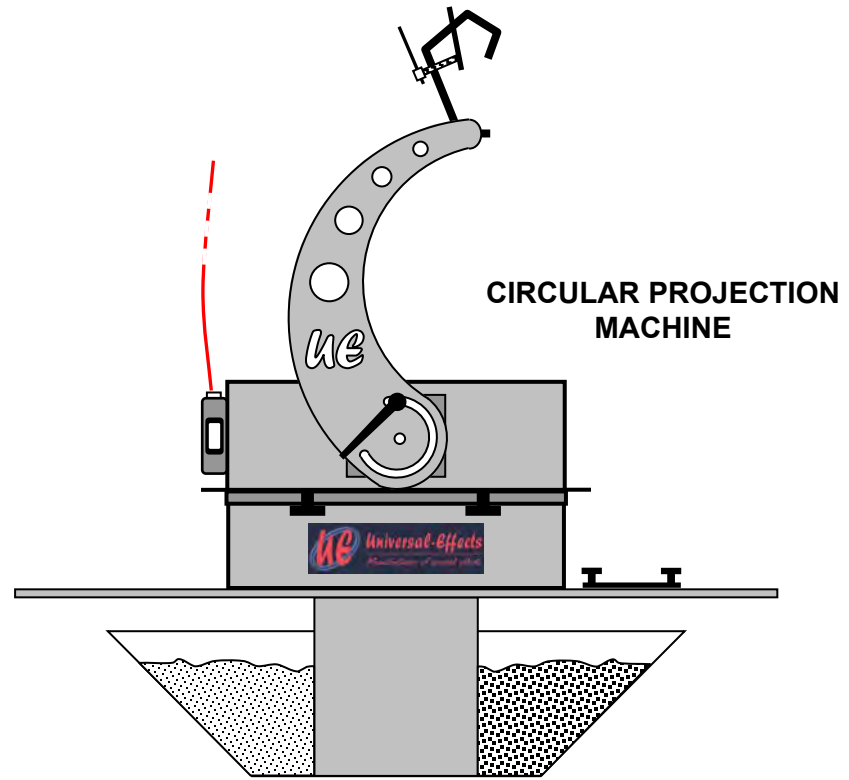
+ 100°



- 10°

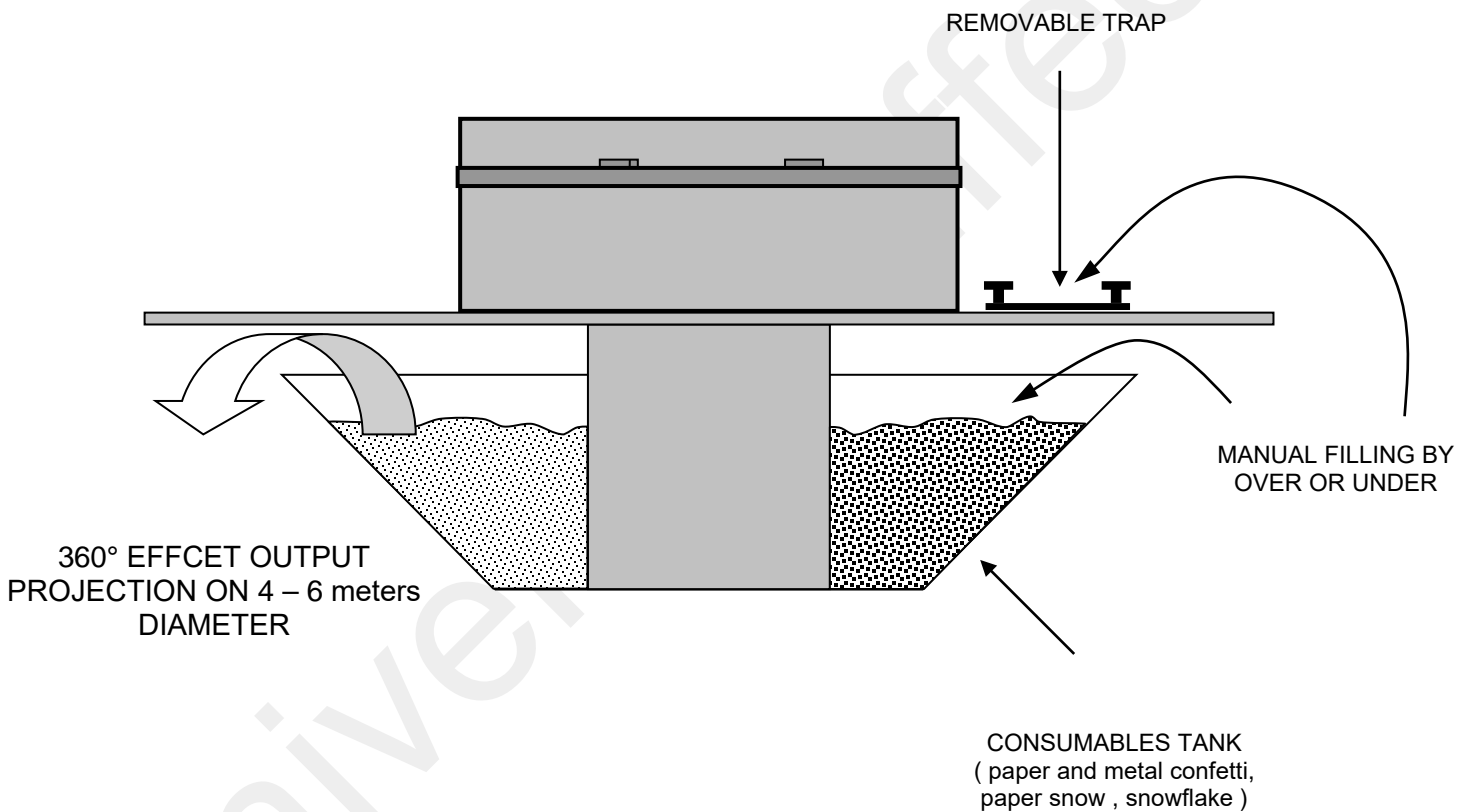
SCREWS AND HARDWARE IN STAINLESS – ALUMINIUM BODY – VERY COMPACT

COMBINATIONS WITH UE K-BASE 500



AIRFLAME MACHINE

TECHNICAL DIAGRAM– UE HEAD STRIPTEASE



SCREWS AND HARWARE IN STAINLESS – ALUMINIUM BODY