

## UE Mini Stage-Co2 Silent DMX

Item Code : PFPOSC002917

Ultra compact and very versatile machine with its unique system of "Interchangeable Heads" allowing the realization of different effects and forms of Co2 Jets. Usable on the ground or hung, indoor or outdoor, the EU MINI STAGE CO2 adapts to all places and all scenes. Two versions are available: the STD version that connects directly to the mains and the DMX version for console control. In addition, you will find in our accessories our CO2 level detector. Imperative for indoor use.

### NOMENCLATURE :

- 1 x UE Mini Stage-Co2 Silent DMX
- 1 x UE PowerCon Supply Male 10A 2m



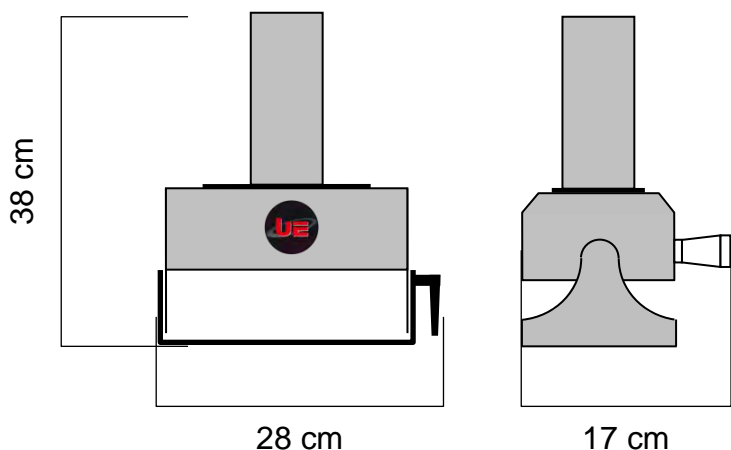
### TECHNICAL SPECIFICATIONS :

Size : L 28 x W 17 x H 38 cm  
Weight : 3.6 Kg

Electrical Specifications :  
230V – 50Hz – 15W – 0.1A

### FEATURES :

- Equipped with 1 nozzle for shooting a Co2 Jet
- Equipped with the Silent Head for a silent jet effect.
- Swiveling lyre.
- Consumption of 0.33Kg / sec Co2.



### ACCESSORIES NEEDED :

- 1 x UE Gas HP Pipe
- 1 x UE Connection for Co2 Bottle

### OPTIONAL ACCESSORIES :

- UE Head Narrow
- UE Head Wide
- UE Head Ball
- UE Head Blade
- UE Head Wall
- UE Head Multijet
- UE Head Cross
- Câble UE PowerCon Link
- UE Gas Splitter 1-2 Chamber
- UE Ground Foot Mini-Stage
- UE Detector of Co2
- UE Detector Cable
- UE Interface Security Pack

### CONSUMABLES :

Co2 bottle with dip tube for liquid phase.  
Ask us for a list of our gas supplier partners.

**Universal Effects, La qualité et l'innovation Fabriqué en France**