



TECHNICAL DATASHEET

UE ST- Base 350 STD

Item Code : PFPFBA001122

The UE ST-Base 350 is very powerful and equipped with our traditional professional base that allow using on the ground, elevated foot, shoot tower or hang under a structure. It is also suitable for service companies and for fixed installations designed to operate inside and outside. ST-Power Base 350 STD include speed variation and is equipped with professional connectors and a resettable fuse.

NOMENCLATURE :

- 1 x UE ST- Base 350 STD
- 5 x Tightening buttons for heads
- 1 x PowerCon cable 5m



TECHNICAL SPECIFICATIONS :

Size : Lg 40 x lg 63 x Hg 57 cm

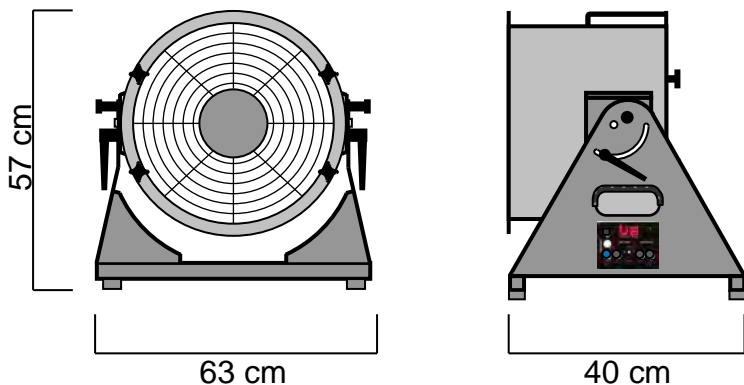
Weight : 20.2 Kg

Electrical Characteristics :
230V – 50/60Hz – 550W – 3.8A – IP 55

Comply with norm CE ERP 2015

CHARACTERISTICS :

Sound 84 dB / 3m inside
Sound 74 dB / 3m outside
Standard base ground.
Adjustment 110° vertical.
Can be hung under structure.
Electronic speed variation integrated in the base
Base control + Head by manual Switch



USABLE HEADS :

- | | |
|-----------------------|-------------------------|
| UE Head Foam 350 | UE Head Jet-Foam 350 |
| UE Head Snow 350 | UE Head Mist&Rain 350 |
| UE Head Twin 350 | UE Head Wind 350 |
| UE Head Fragances 350 | UE Head Jet-Bubbles 350 |
| UE Head AirFlame 350 | UE Head Projection 350 |

OPTIONAL ACCESSORIES :

- UE Skate Board 350
- UE Feet 50, 70, 100 (x 4)
- UE Shoot Tower 350

Manufactured in ALUMINIUM and STAINLESS, UE ST-Base 350 STD is done for last. Each element was chosen for his quality and efficiency.

Universal Effects, La qualité et l'innovation Fabriqué en France

Universal Effects est une Marque fabriquée et distribuée par la société Premium Factory SAS
1 Route Neuve, 71710 MONTCENIS - FRANCE | Email info@premiumfactory.eu | www.premiumfactory.eu
Société Anonyme Simplifié au capital de 1 000 € | Siret 840 703 797 00018 | VAT Nr: FR47840703797



TECHNICAL DATASHEET

UE Head Jet-Bubbles 350

Item Code : PFPFJB001116

The UE Head Jet-Bubble throws bubbles in large quantities. Carry your audience into a magical world that will succumb to the magic of bubbles.

Be amazed by this concept that creates a real big show.

Comes with two wheels for two effects: small bubbles with a diameter of 1.5 cm and large bubbles with a diameter of 3 cm.



NOMENCLATURE :

- 1 x UE Head Jet-Bubbles 350
- 2 x Bubble Wheels

TECHNICAL SPECIFICATIONS :

Size : 45 x 37 x 35 cm

Weight : 5.6 Kg

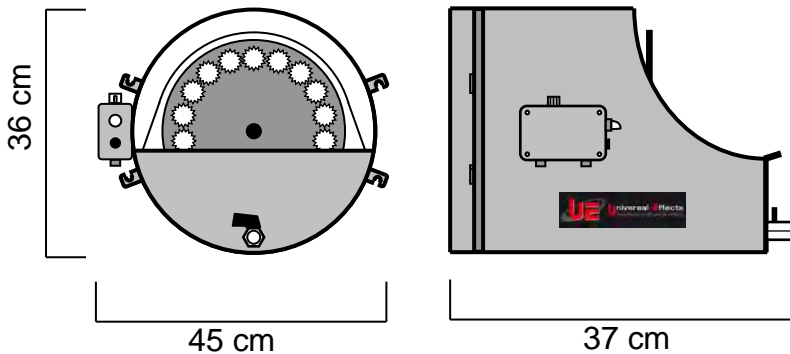
Electrical Specifications:

230V – 50Hz – 10W – 0.04A

Capacity : 5,3 L

FEATURES :

The head is equipped with an electric dimmer for the base. Delivered with 2 bubble wheels: a wheel with small holes and a wheel with large holes.



BASES USABLE :

- UE K- Base 350
- UE ST- Base 350
- UE XT- Base 350

OPTIONAL ACCESSORIES :

- Power Auto Tank Filler

CONSUMPTION :

- On UE ST / XT- Base 350 projection of a bubble jet of 8 to 10m.
- On UE K- Base 350 projection of a bubble jet of 6 to 8m.
- Consumption in CC bubble liquid: 3 L / h
- Consumption in water + fluid preparation: 6 L / h

CONSUMABLES :

- XT-Bubble Fluid CC Diluted à 50% in water.
- XT- Bubble Fluid RTU Ready To Use.

Universal Effects, La qualité et l'innovation Fabriqué en France