

## UE ST- Base 500 STD

Item Code : PFPFBA001222

The UE ST-Base 500 is very powerful and equipped with our traditional professional base that allow using on the ground, elevated foot, shoot tower or hang under a structure. It is also suitable for service companies and for fixed installations designed to operate inside and outside. ST-Power Base 500 STD include speed variation and is equipped with professional connectors and a resettable fuse.

### NOMENCLATURE :

- 1 x UE ST- Base 500 STD
- 5 x Tightenig buttons for heads
- 1 x PowerCon cable 5m



### TECHNICAL SPECIFICATIONS :

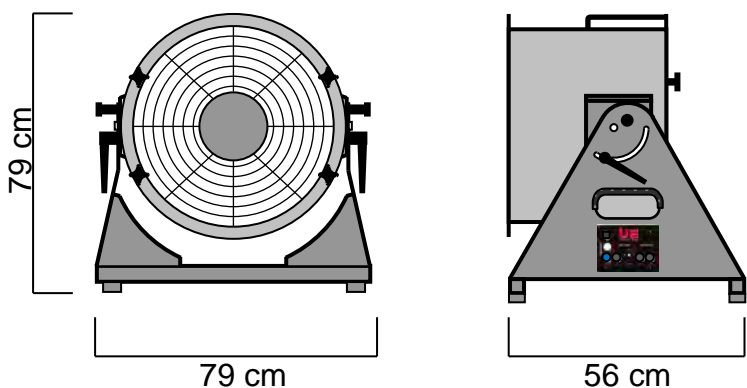
Size : Lg 56 x lg 79 x Hg 79 cm - Weight: 38 Kg

Electrical Characteristics :  
230V – 50/60Hz – 1500W – 6.5A – IP 55

Comply with norm CE ERP 2015

### CHARACTERISTICS :

- Sound 91 dB / 3m inside.
- Sound 81 dB / 3m outside.
- Standard base ground.
- Ajustment on 110° vertical.
- Can be hung under structure.
- Electronic speed variation integrated in the base.
- Base control + Head for manual Switch.



### USABLE HEADS:

- |                       |                         |
|-----------------------|-------------------------|
| UE Head Foam 500      | UE Head Jet-Foam 500    |
| UE Head Snow 500      | UE Head Mist&Rain 500   |
| UE Head Twin 500      | UE Head Wind 500        |
| UE Head Fragances 500 | UE Head Jet-Bubbles 500 |
| UE Head AirFlame 500  | UE Head Projection 500  |

### OPTIONAL ACCESSORIES :

- UE Skate Board 500
- UE Feet 50, 70, 100 (x 4)
- UE Shoot Tower 500

Manufactured in ALUMINIUM and STAINLESS, UE ST-Base 500 STD is done for last. Each element was chosen for his quality and efficiency.

**Universal Effects, La qualité et l'innovation Fabriqué en France**



# TECHNICAL DATASHEET

## UE Head AirFlame 500

Item Code : PFPFAF002222

The UE Head AirFlame allows you to create a decorative and powerful visual effect for the event. This version without lighting system is perfectly designed for daytime use with great simplicity. The concept we have developed gives you the choice to use this head for 4 different effects: Flames of Silk, Windsock, Characters and Inflatable Forms such as cones. This head comes with 2 accessories included, a silk flame holder and a strapping for the inflatables.

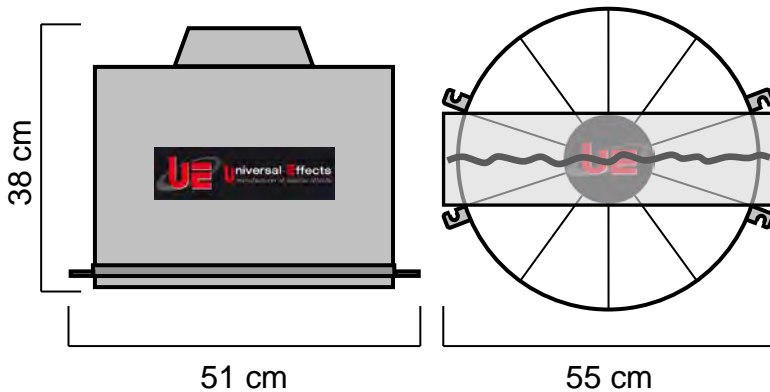
### NOMENCLATURE :

- 1 x UE Head AirFlame 500
- 1 x Flame Holder
- 1 x Silk Flame 5m
- 1 x Strapping for Inflatables



### TECHNICAL SPECIFICATIONS :

Size : 38 x 55 x 51 cm  
Weight : 9 Kg



### FEATURES :

Removable flame holder.  
Delivered with a strapping for hanging Design Inflatable, Airships and Characters.  
Possibilities of flame heights: from 4 to 6m.  
Possibilities of fixtube heights from 6 to 12m.  
Possibilities of figure heights of 5m.

### BASES USABLE :

- UE K- Base 500
- UE ST- Base 500
- UE XT- Base 500

### CONSUMABLES :

Silk Flame : Flamme de soie  
Designs : Formes gonflables  
Figures : Personnages gonflables  
Fly Tube : Manches à air

Made of ALUMINUM and INOX, the Head AirFlame 500 is built to last. Each element has been chosen for its quality and efficiency.

**Universal Effects, La qualité et l'innovation Fabriqué en France**

Universal Effects est une Marque fabriquée et distribuée par la société Premium Factory SAS  
1 Route Neuve, 71710 MONTCENIS - FRANCE | Email [info@premiumfactory.eu](mailto:info@premiumfactory.eu) | [www.premiumfactory.eu](http://www.premiumfactory.eu)  
Société Anonyme Simplifié au capital de 1 000 € | Siret 840 703 797 00018 | VAT Nr: FR47840703797