

UE ST- Base 500 STD

Item Code : PFPFBA001222

The UE ST-Base 500 is very powerful and equipped with our traditional professional base that allow using on the ground, elevated foot, shoot tower or hang under a structure. It is also suitable for service companies and for fixed installations designed to operate inside and outside. ST-Power Base 500 STD include speed variation and is equipped with professional connectors and a resettable fuse.

NOMENCLATURE :

- 1 x UE ST- Base 500 STD
- 5 x Tightenig buttons for heads
- 1 x PowerCon cable 5m



TECHNICAL SPECIFICATIONS :

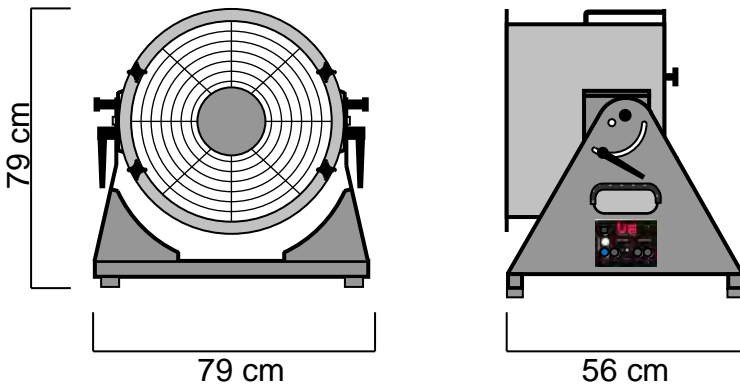
Size : Lg 56 x lg 79 x Hg 79 cm - Weight: 38 Kg

Electrical Characteristics :
230V – 50/60Hz – 1500W – 6.5A – IP 55

Comply with norm CE ERP 2015

CHARACTERISTICS :

- Sound 91 dB / 3m inside.
- Sound 81 dB / 3m outside.
- Standard base ground.
- Ajustment on 110° vertical.
- Can be hung under structure.
- Electronic speed variation integrated in the base.
- Base control + Head for manual Switch.



USABLE HEADS:

- | | |
|-----------------------|-------------------------|
| UE Head Foam 500 | UE Head Jet-Foam 500 |
| UE Head Snow 500 | UE Head Mist&Rain 500 |
| UE Head Twin 500 | UE Head Wind 500 |
| UE Head Fragances 500 | UE Head Jet-Bubbles 500 |
| UE Head AirFlame 500 | UE Head Projection 500 |

OPTIONAL ACCESSORIES :

- UE Skate Board 500
- UE Feet 50, 70, 100 (x 4)
- UE Shoot Tower 500

Manufactured in ALUMINIUM and STAINLESS, UE ST-Base 500 STD is done for last. Each element was chosen for his quality and efficiency.

Universal Effects, La qualité et l'innovation Fabriqué en France



TECHNICAL DATASHEET

UE Head Snow 500

Item Code : PFPNE001212

UE Head Snow meets the requirements of entertainment and entertainment professionals. Very powerful, it projects far and wide and the size of the flakes is adjustable. It is delivered complete with an aluminum tank equipped with a level, a valve and an industrial connection. It is possible to connect optional tanks of large capacity.

NOMENCLATURE :

- 1 x UE Head Snow 500
- 1 x Tank Alu 500



TECHNICAL SPECIFICATIONS :

Size : 42 x 59 x 66 cm

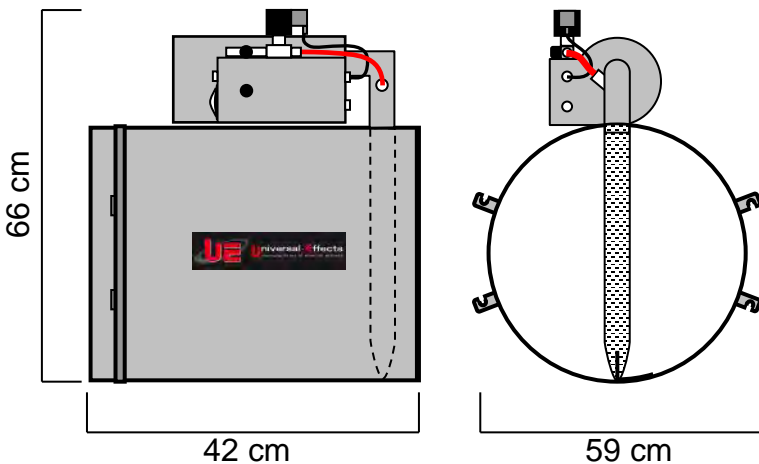
Weight : 15 Kg

Electrical Specifications :
230V – 50Hz – 1400W – 6.1A – IP 54

FEATURES :

Tank : Size : 47 x 34 x 39 cm
 Weight : 6 Kg
 Capacity : 25L

On UE ST- Base 500 projection at 25m.
On EU XT- Base 500 projection at 20m.



BASES USABLE :

- UE ST- Base 500
- UE XT- Base 500

OPTIONAL ACCESSORIES :

- UE Auto Tank Filler

CONSUMPTION :

- Consumption in snow liquid is 30 to 60 L / h

CONSUMABLES :

UE ST- Snow Fluid RTU Ready To Use
UE ST- Snow Fluid CC Diluted 90% in water

Universal Effects, La qualité et l'innovation Fabriqué en France

Universal Effects est une Marque fabriquée et distribuée par la société Premium Factory SAS
1 Route Neuve, 71710 MONTCENIS - FRANCE | Email info@premiumfactory.eu | www.premiumfactory.eu
Société Anonyme Simplifiée au capital de 1 000 € | Siret 840 703 797 00018 | VAT Nr: FR47840703797