

UE ST- Base 500 STD

Item Code : PFPFBA001222

The UE ST-Base 500 is very powerful and equipped with our traditional professional base that allow using on the ground, elevated foot, shoot tower or hang under a structure. It is also suitable for service companies and for fixed installations designed to operate inside and outside. ST-Power Base 500 STD include speed variation and is equipped with professional connectors and a resettable fuse.

NOMENCLATURE :

- 1 x UE ST- Base 500 STD
- 5 x Tightenig buttons for heads
- 1 x PowerCon cable 5m



TECHNICAL SPECIFICATIONS :

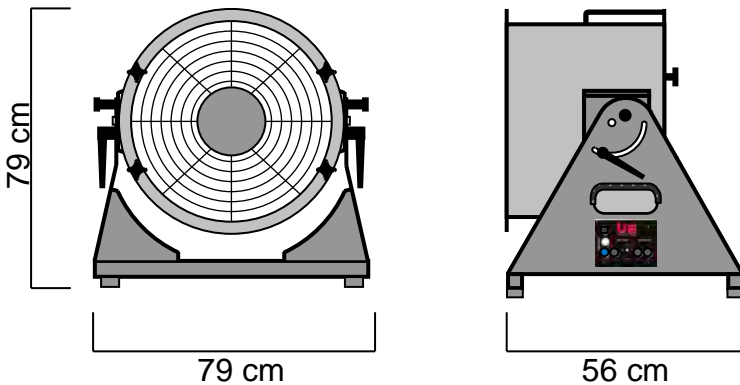
Size : Lg 56 x lg 79 x Hg 79 cm - Weight: 38 Kg

Electrical Characteristics :
230V – 50/60Hz – 1500W – 6.5A – IP 55

Comply with norm CE ERP 2015

CHARACTERISTICS :

- Sound 91 dB / 3m inside.
- Sound 81 dB / 3m outside.
- Standard base ground.
- Ajustment on 110° vertical.
- Can be hung under structure.
- Electronic speed variation integrated in the base.
- Base control + Head for manual Switch.



USABLE HEADS:

- | | |
|-----------------------|-------------------------|
| UE Head Foam 500 | UE Head Jet-Foam 500 |
| UE Head Snow 500 | UE Head Mist&Rain 500 |
| UE Head Twin 500 | UE Head Wind 500 |
| UE Head Fragances 500 | UE Head Jet-Bubbles 500 |
| UE Head AirFlame 500 | UE Head Projection 500 |

OPTIONAL ACCESSORIES :

- UE Skate Board 500
- UE Feet 50, 70, 100 (x 4)
- UE Shoot Tower 500

Manufactured in ALUMINIUM and STAINLESS, UE ST-Base 500 STD is done for last. Each element was chosen for his quality and efficiency.

Universal Effects, La qualité et l'innovation Fabriqué en France



TECHNICAL DATASHEET

UE Head Wind 500

Item Code : PFPFWI001219

The EU Head Wind makes it possible to direct the wind in a concentrated beam.
Used without a head, our bases produce a powerful and wide wind effect.
The head doubles the range of the airflow by reducing the opening of the effect.
It also creates an acceleration phenomenon by increasing the wind speed.
It is advisable to equip yourself with a power variator to precisely control the desired effect.

NOMENCLATURE :

- 1 x UE Head Wind 500



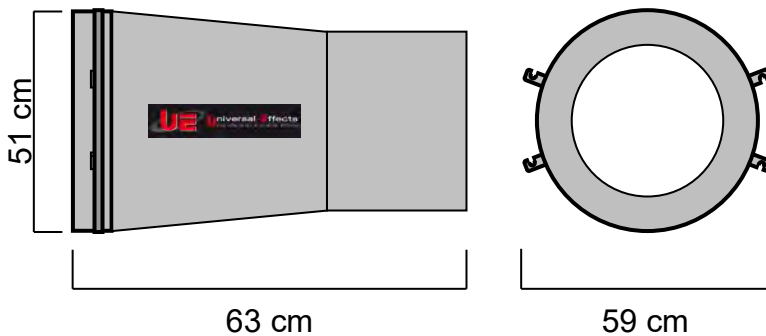
TECHNICAL SPECIFICATIONS :

Size : 63 x 51 x 59 cm

Weight : 5 Kg

FEATURES :

Wind directed and accelerated.
Allows precision and significant scope.



BASES USABLE :

- UE K- Base 500
- UE ST- Base 500
- UE XT- Base 500

SPEED AND WIND FLOW :

On EU K-Base 500 the output speed is 44Km / h with a flow of 144 m³ / min
On EU ST-Base 500 the output speed is 75Km / h with a flow rate of 245 m³ / min.
On EU XT-Base 500 the output speed is 77Km / h with a flow rate of 80 m³ / min.

Made of ALUMINUM, the Head Wind 500 is built to last. Each element has been chosen for its quality and efficiency.

Universal Effects, La qualité et l'innovation Fabriqué en France

Universal Effects est une Marque fabriquée et distribuée par la société Premium Factory SAS
1 Route Neuve, 71710 MONTCENIS - FRANCE | Email info@premiumfactory.eu | www.premiumfactory.eu
Société Anonyme Simplifié au capital de 1 000 € | Siret 840 703 797 00018 | VAT Nr: FR47840703797