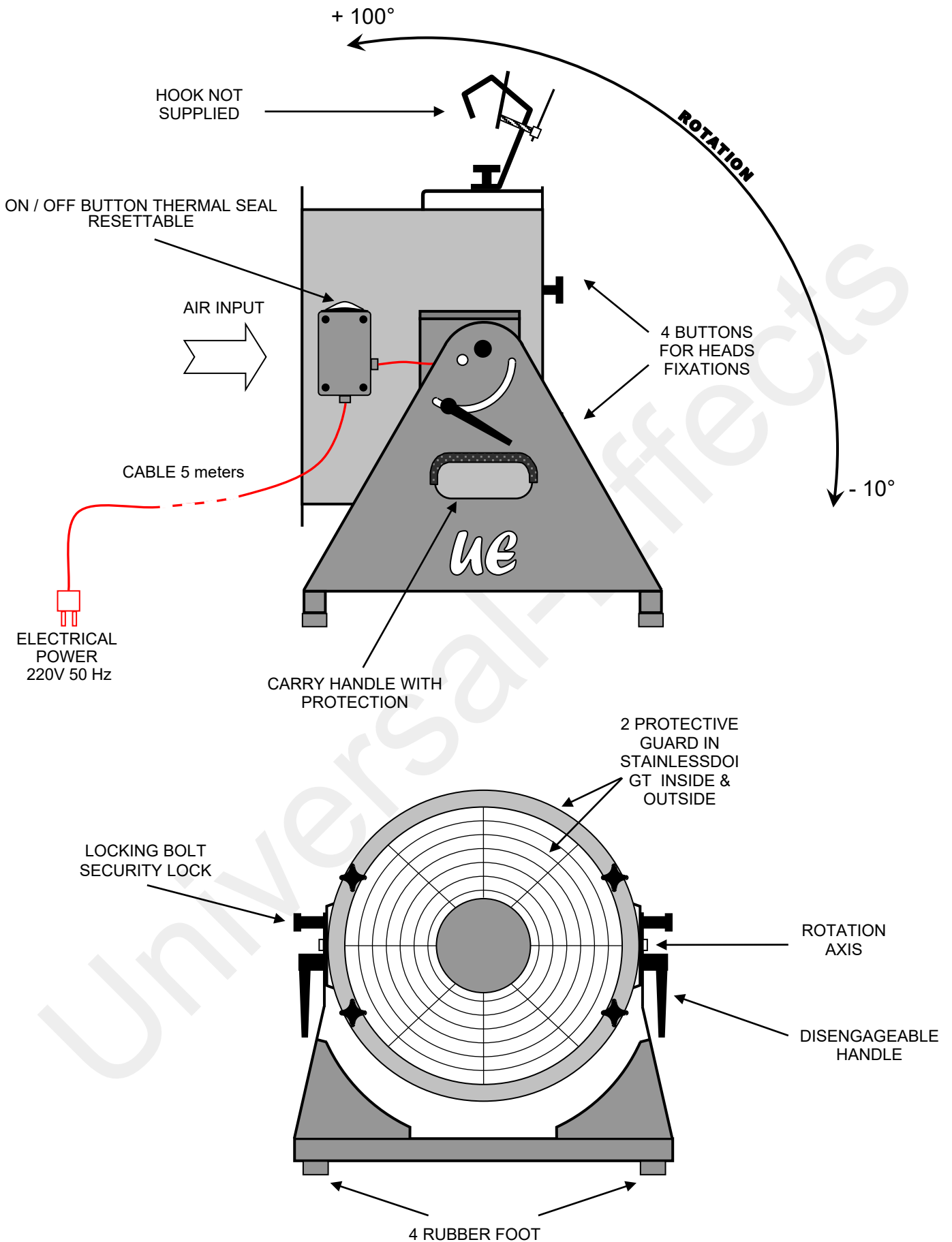
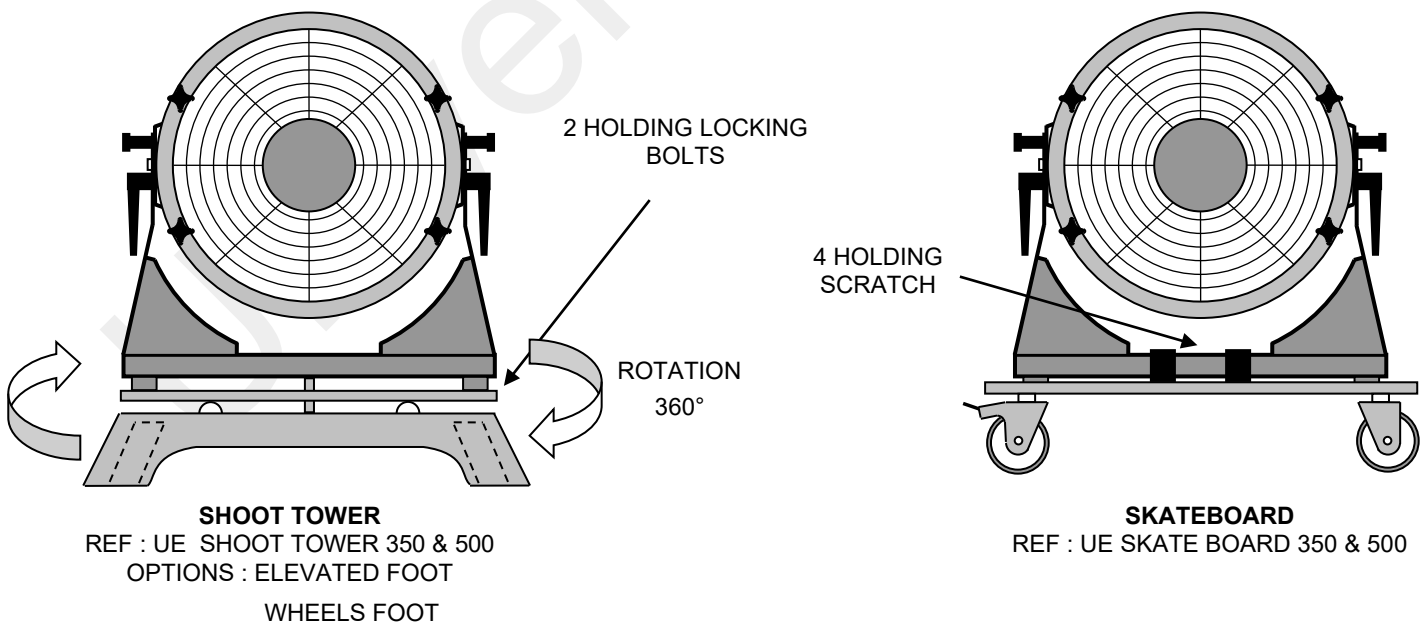
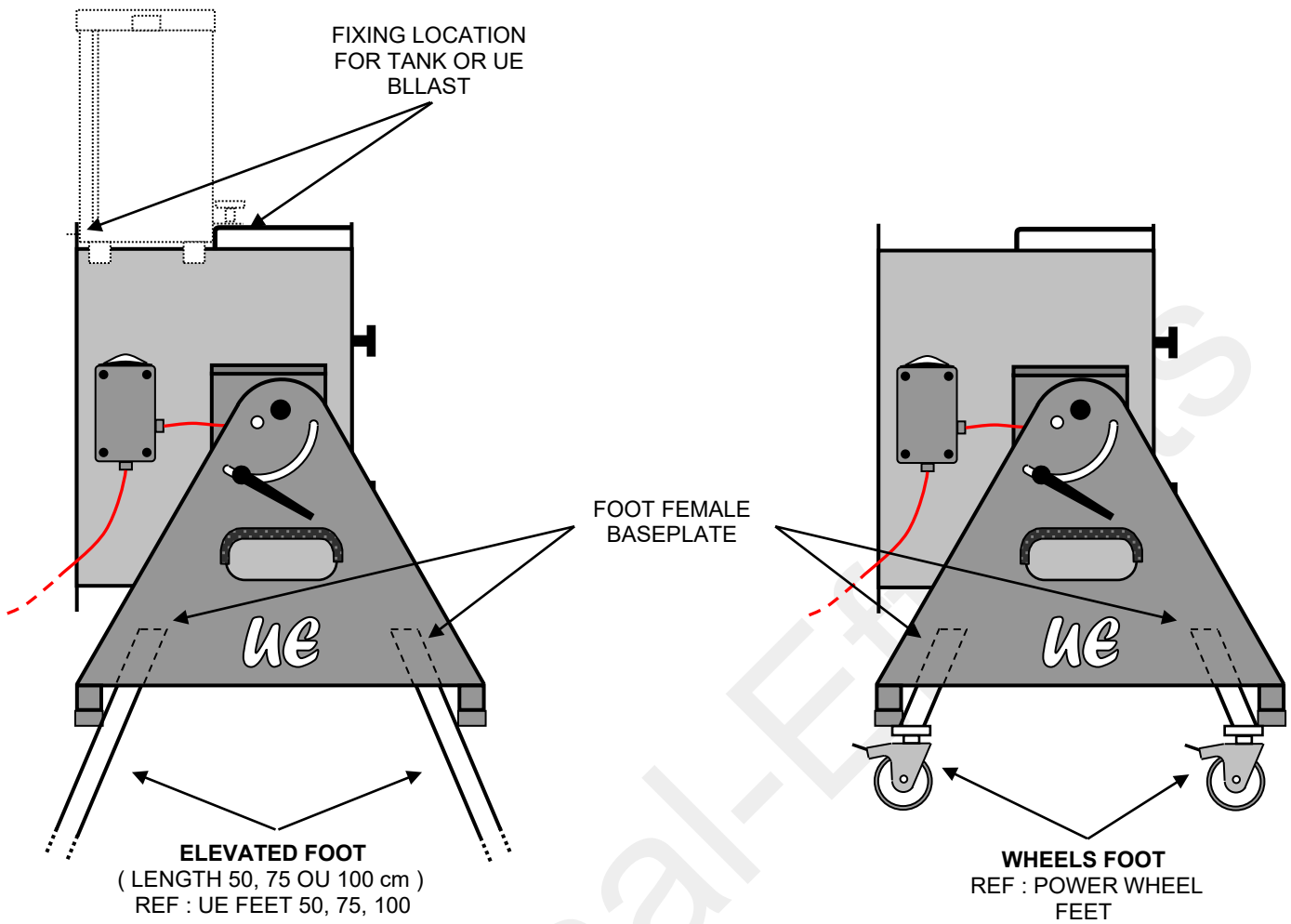


# TECHNICAL DIAGRAM – UE ST- BASE 350 & 500



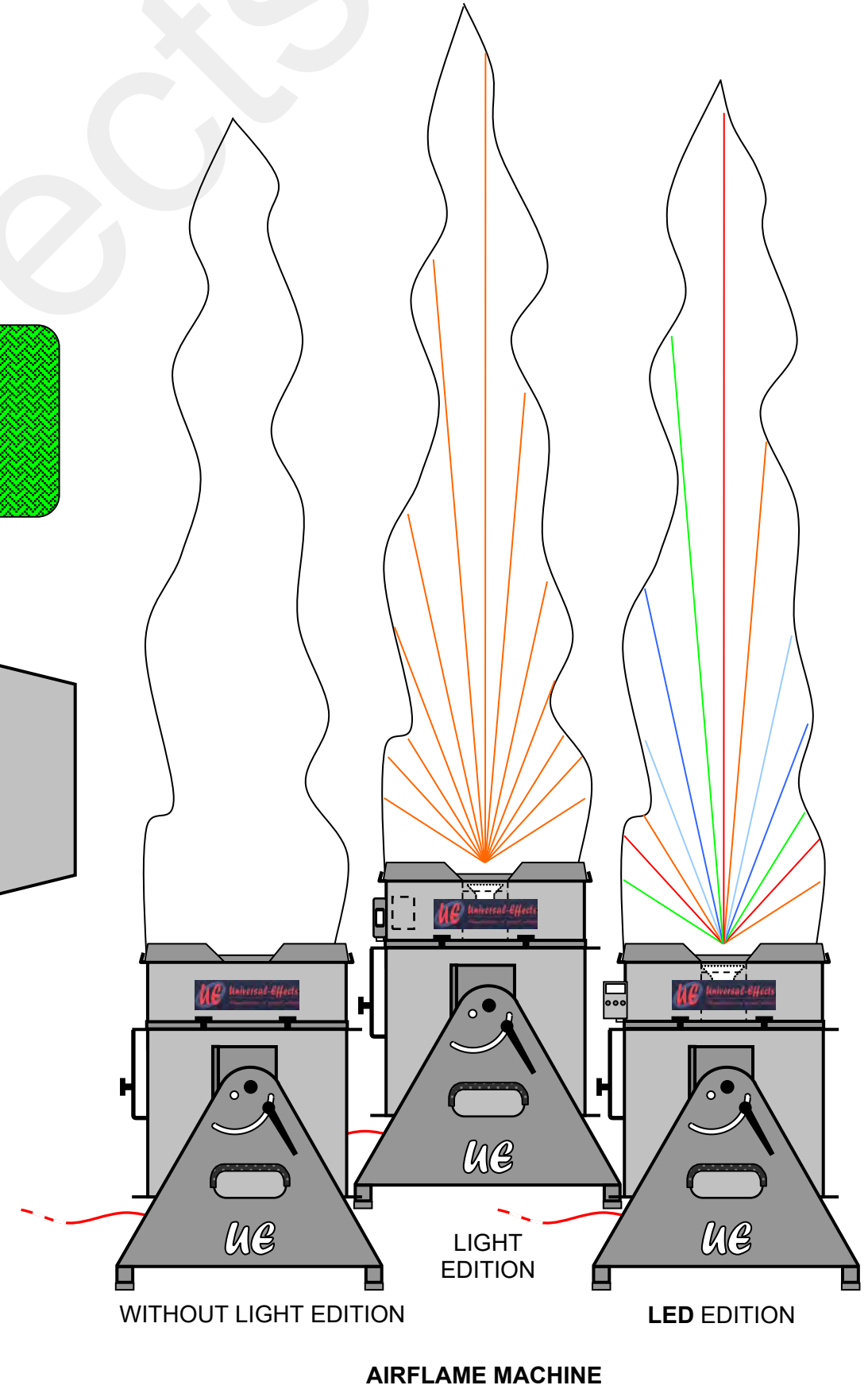
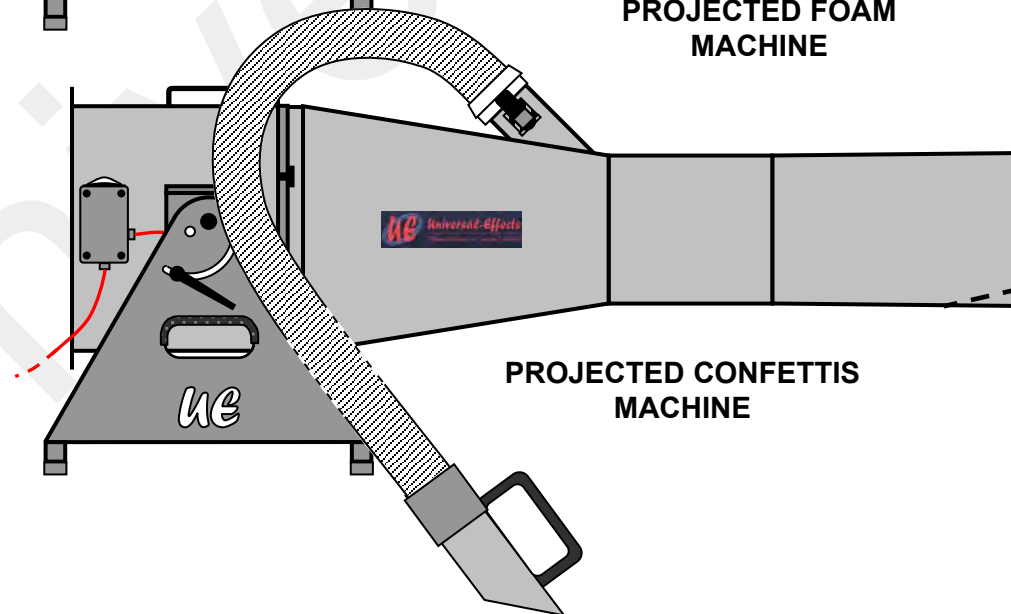
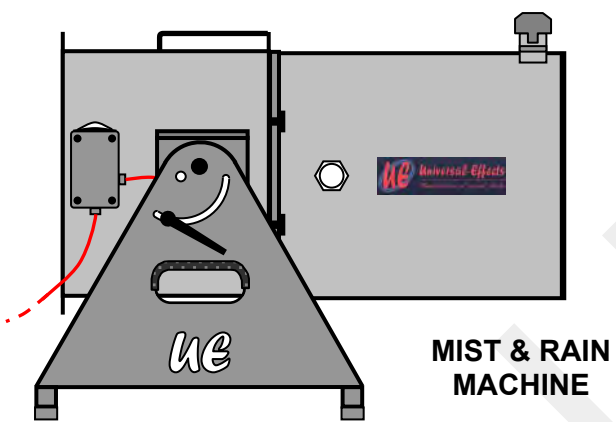
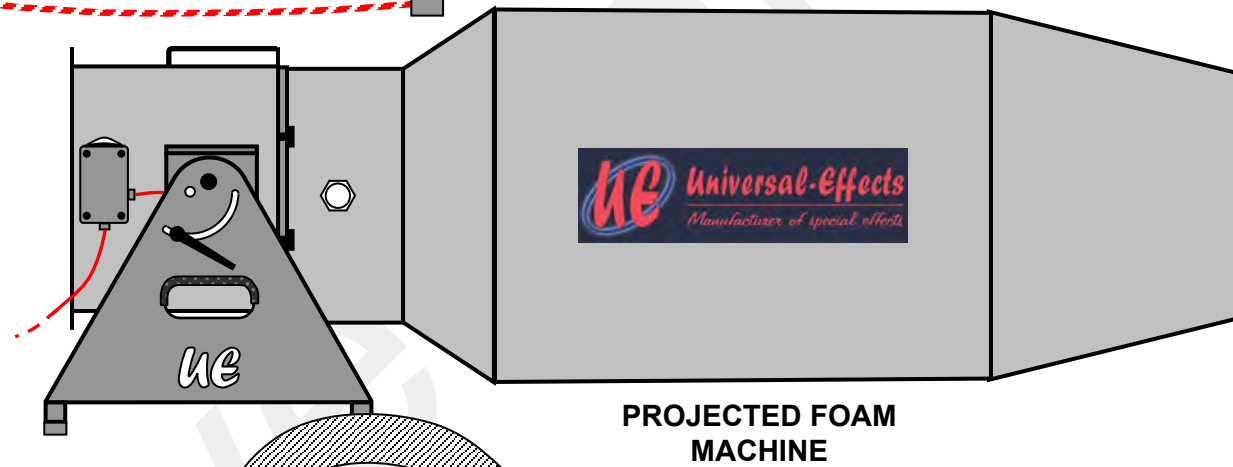
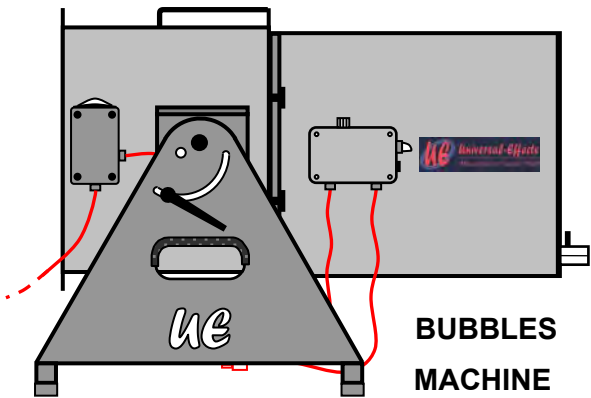
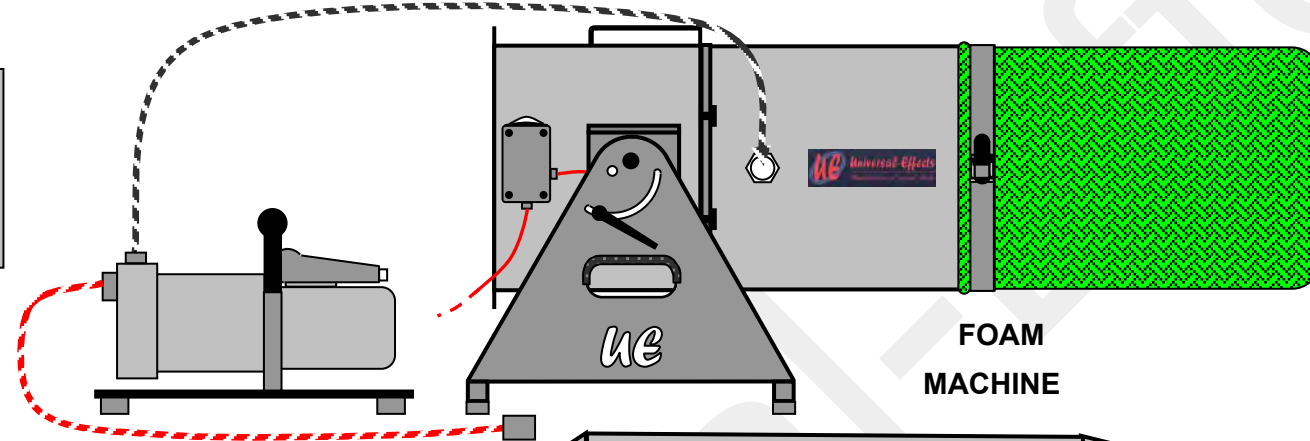
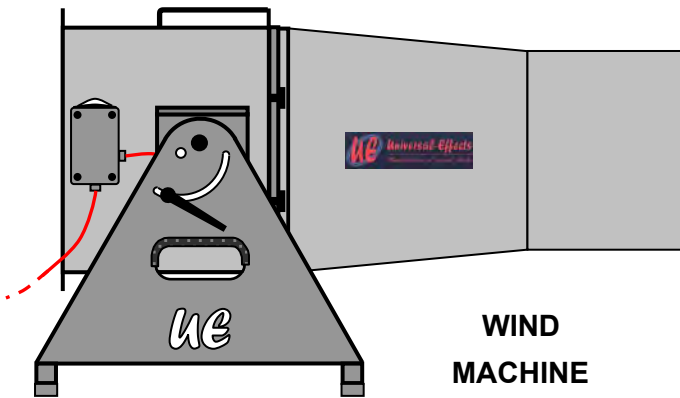
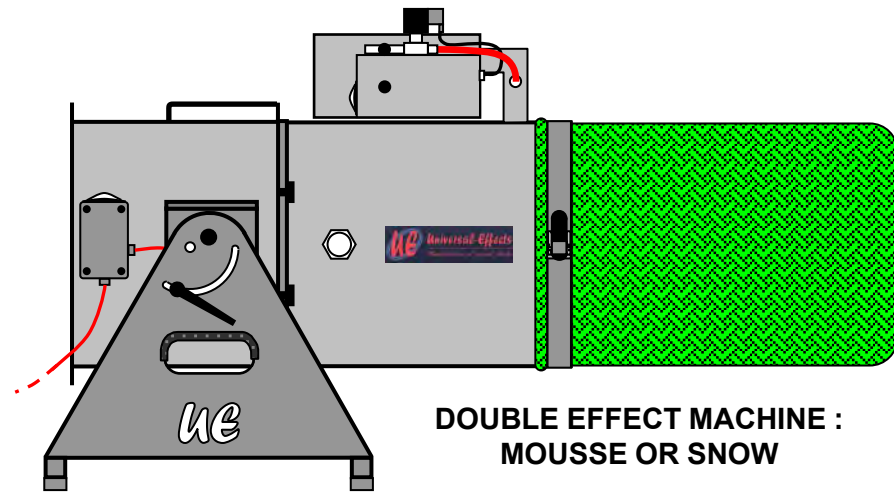
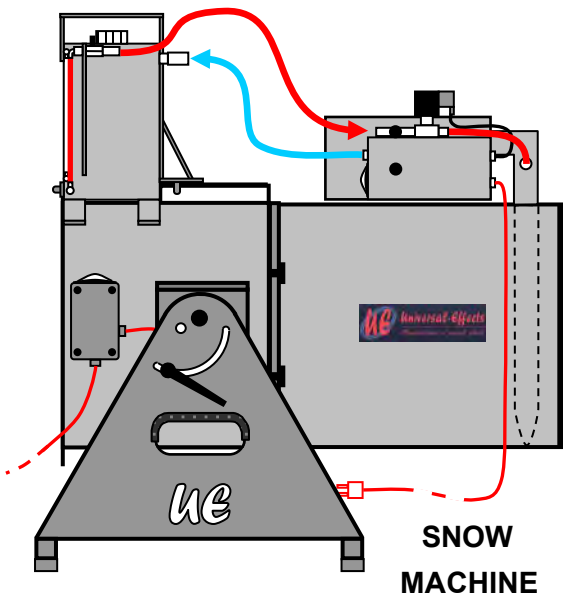
SCREWS AND HARDWARE IN STAINLESS – ALUMINIUM BODY – VERY POWERFUL

# TECHNICAL DIAGRAM – UE ST- BASE 350 & 500 WITH 4 POSSIBLES OPTIONS



SCREWS AND HARDWARE IN STAINLESS – ALUMINIUM BODY – VERY POWERFUL

# COMBINATIONS WITH UE ST- BASE 350 & 500



# TECHNICAL DIAGRAM – UE HEAD FRAGRANCE

