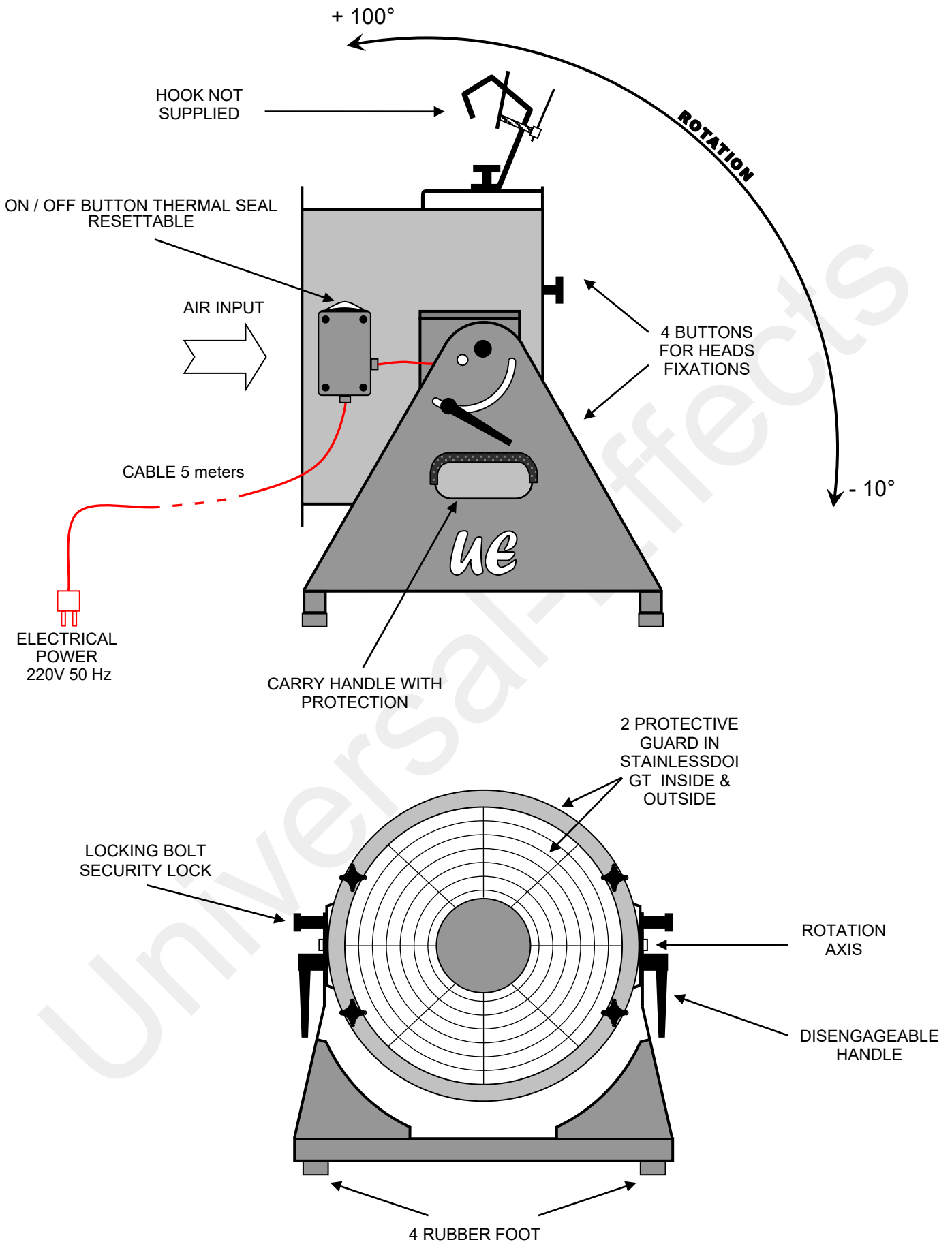
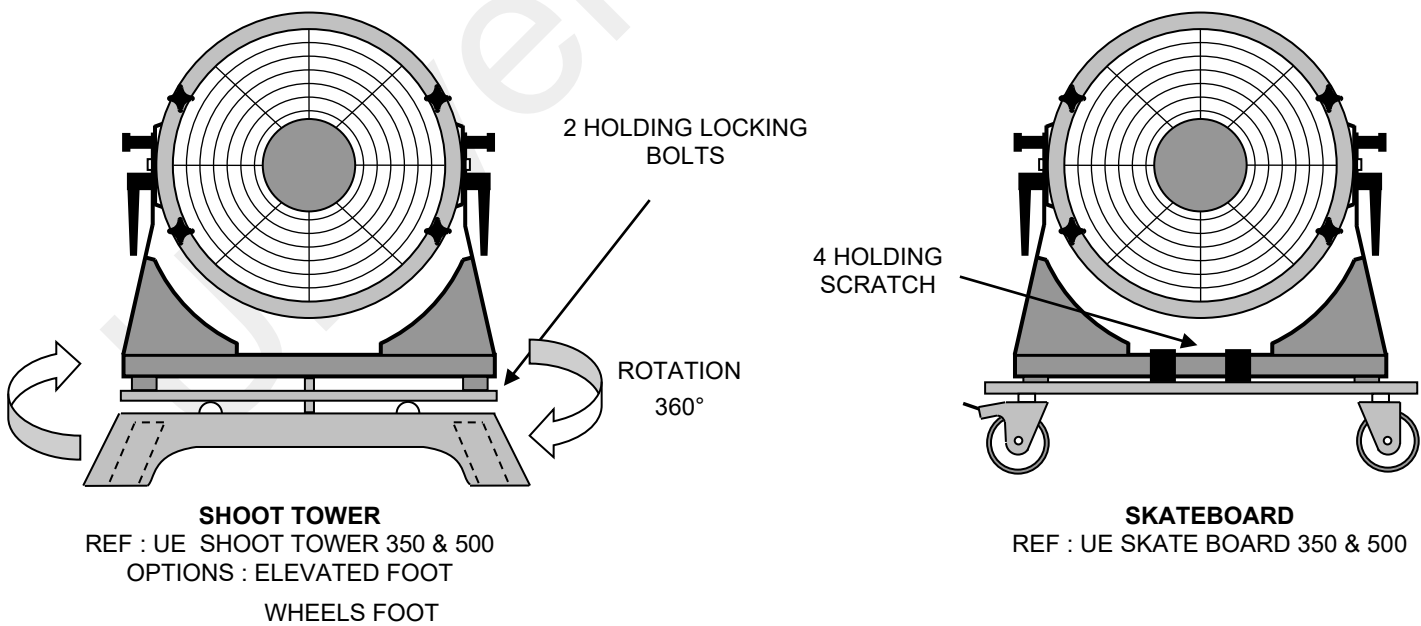
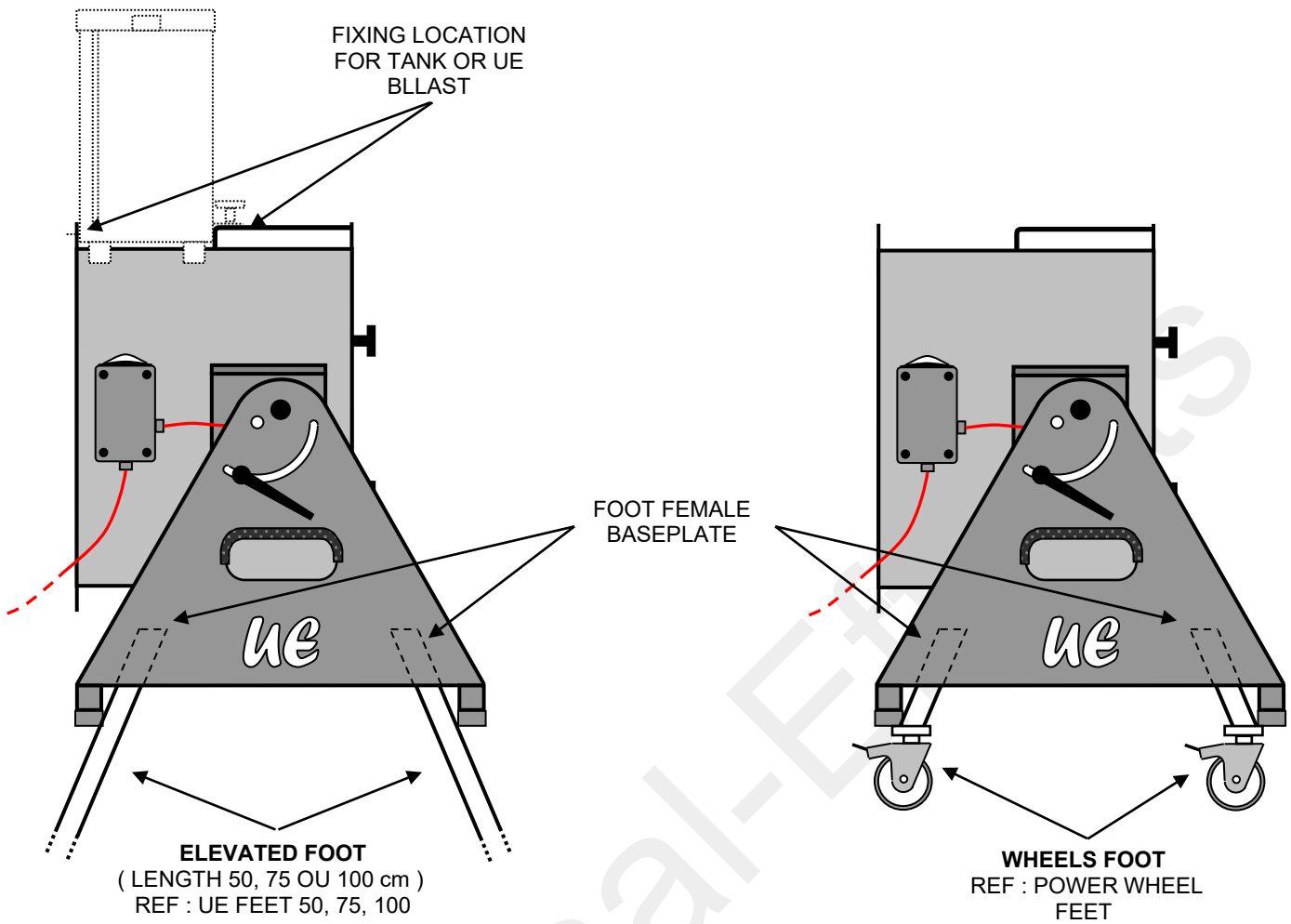


TECHNICAL DIAGRAM – UE ST- BASE 350 & 500



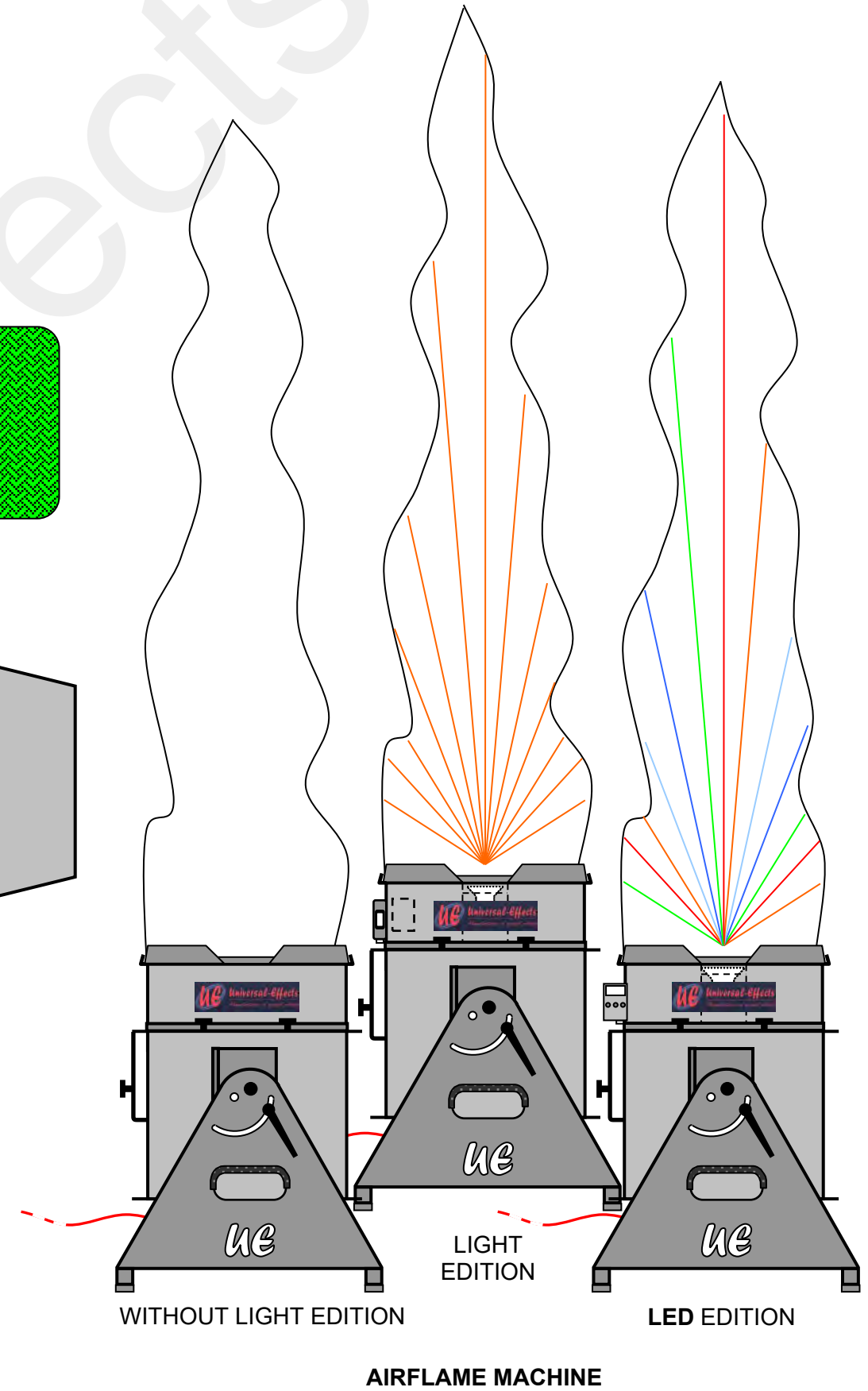
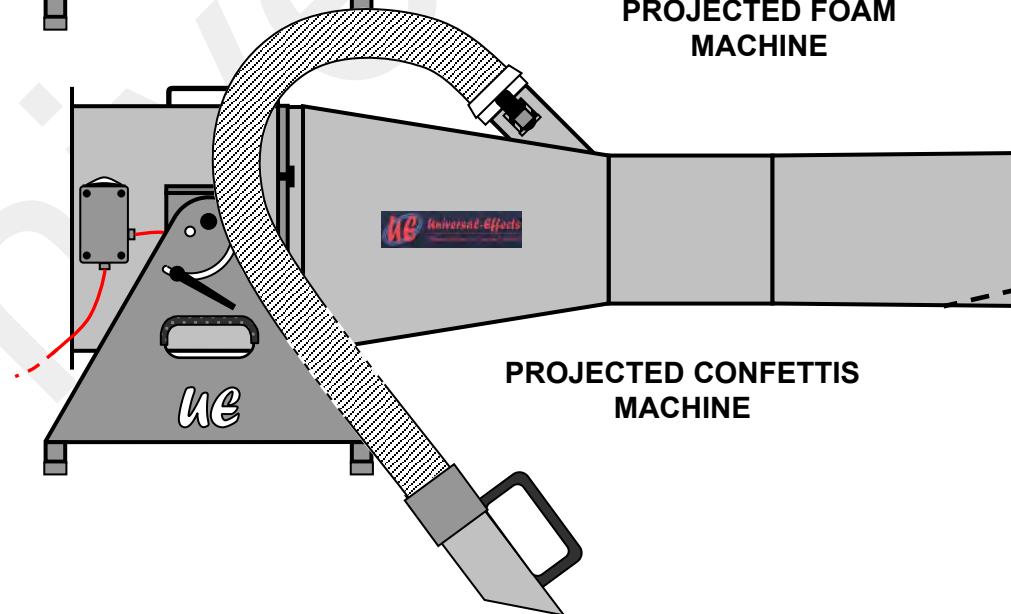
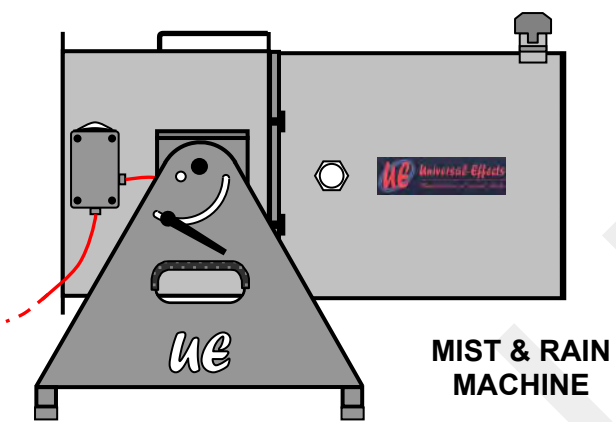
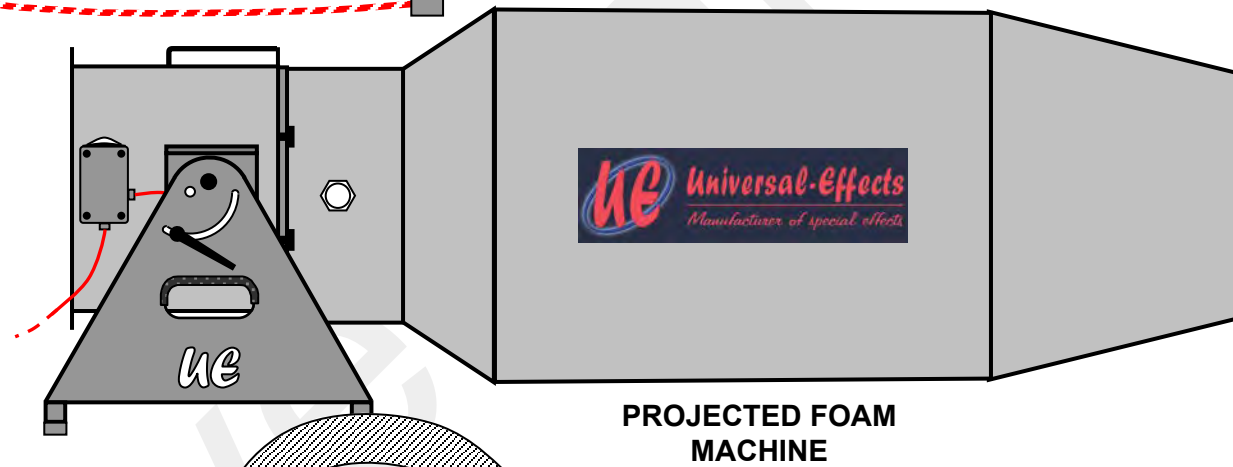
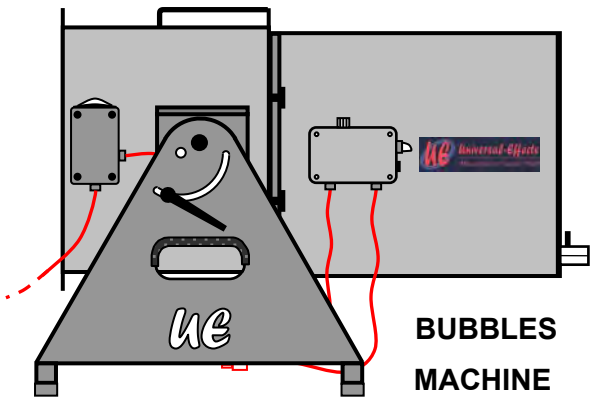
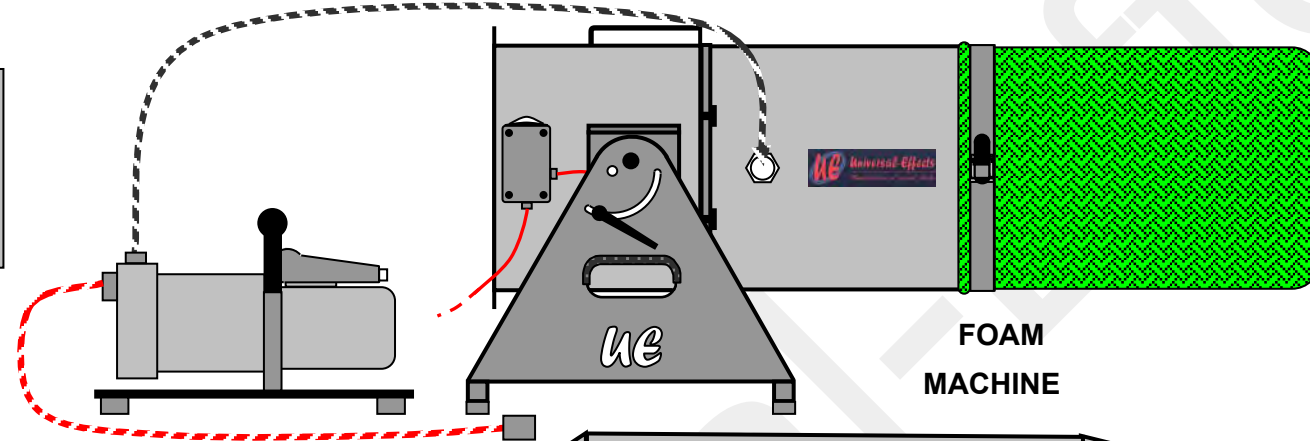
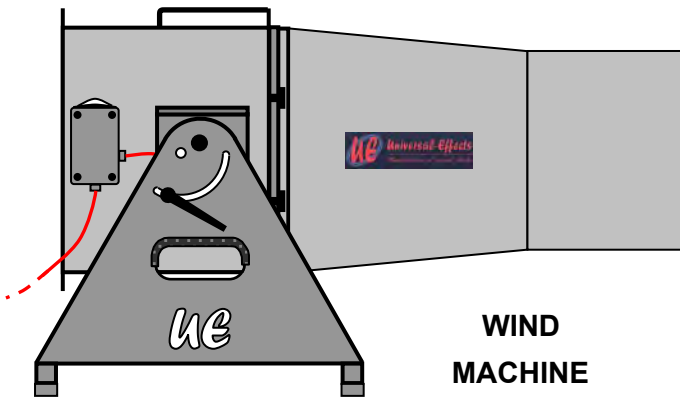
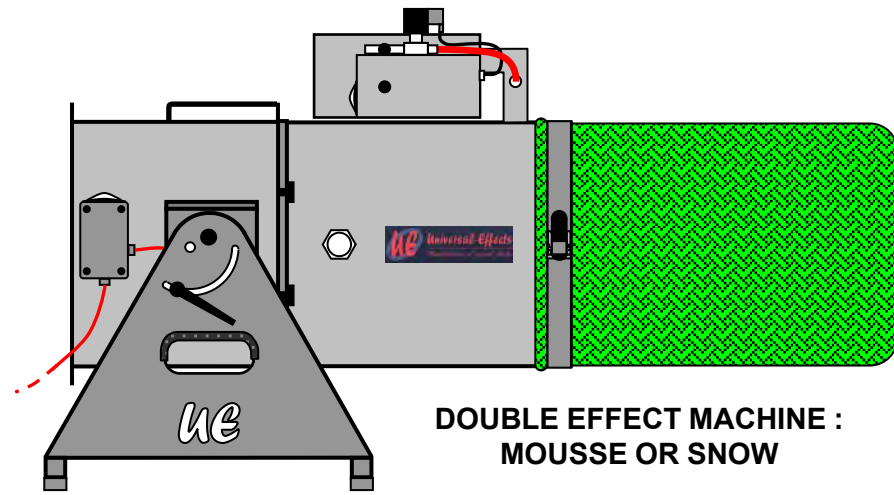
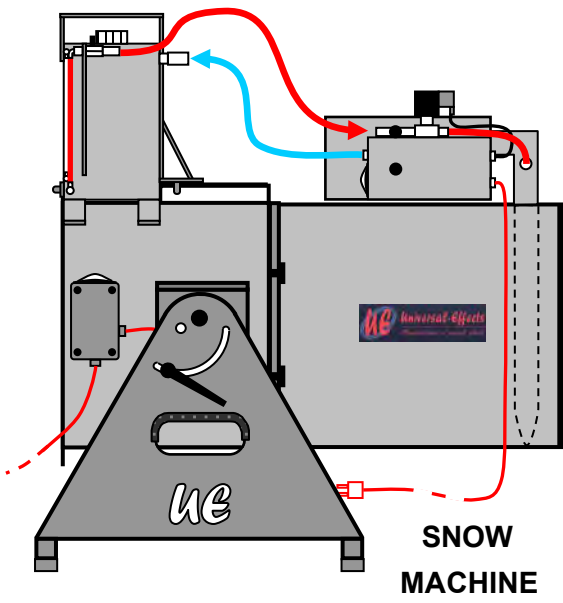
SCREWS AND HARDWARE IN STAINLESS – ALUMINIUM BODY – VERY POWERFUL

TECHNICAL DIAGRAM – UE ST- BASE 350 & 500 WITH 4 POSSIBLES OPTIONS

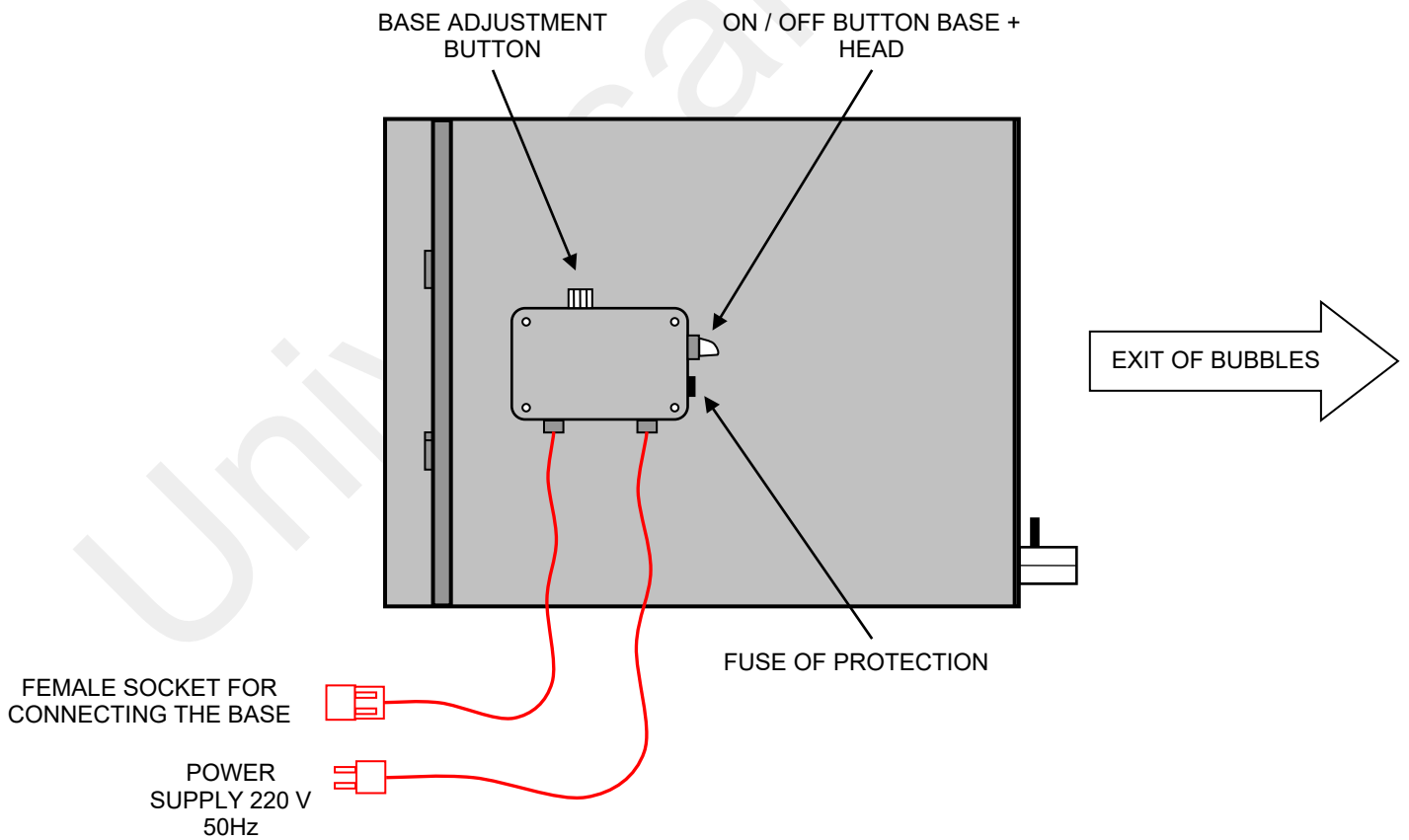
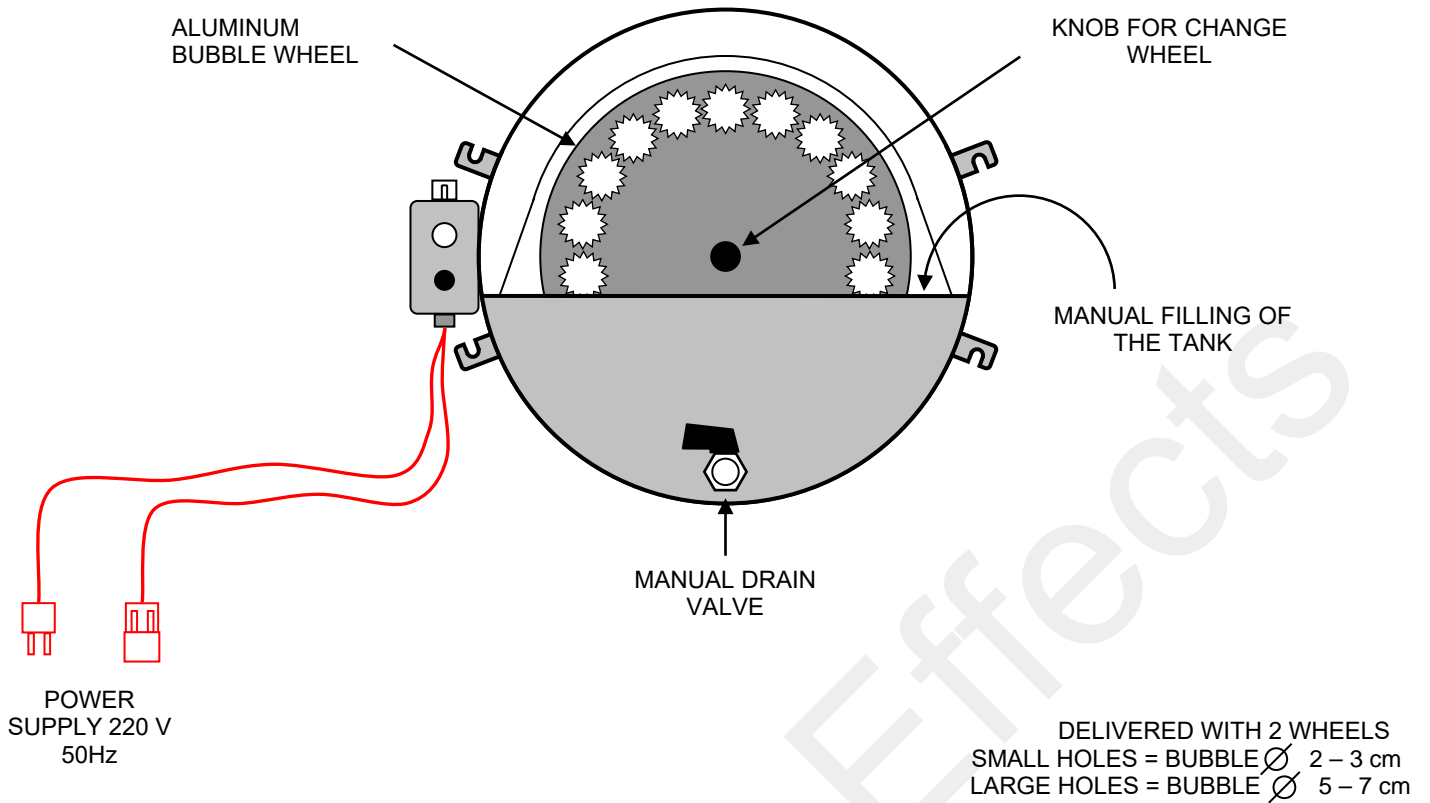


SCREWS AND HARDWARE IN STAINLESS – ALUMINIUM BODY – VERY POWERFUL

COMBINATIONS WITH UE ST- BASE 350 & 500



TECHNICAL DIAGRAM – UE HEAD JET-BUBBLES



STAINLESS SCREWS & HARDWARE - ALUMINUM BODY