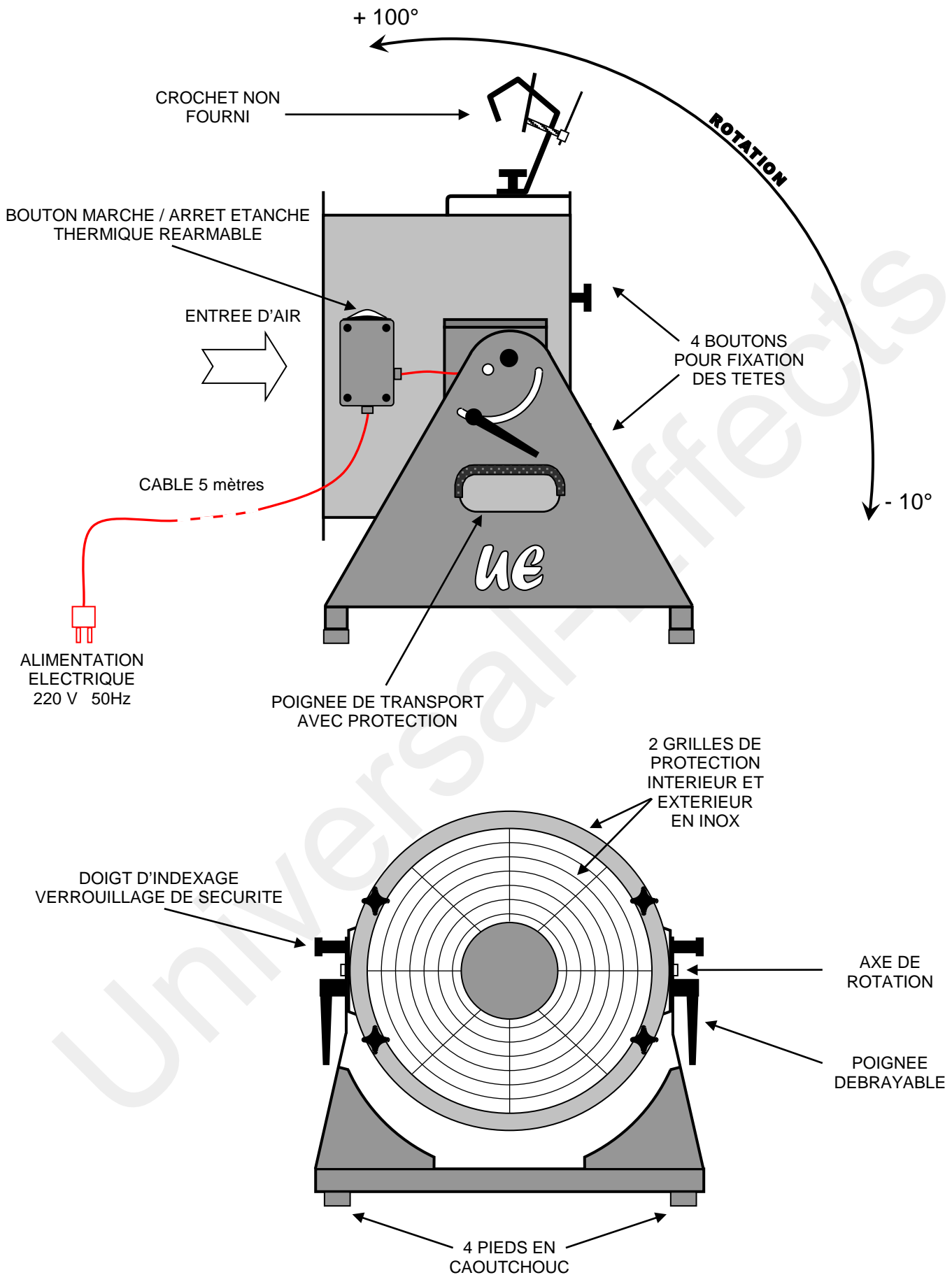
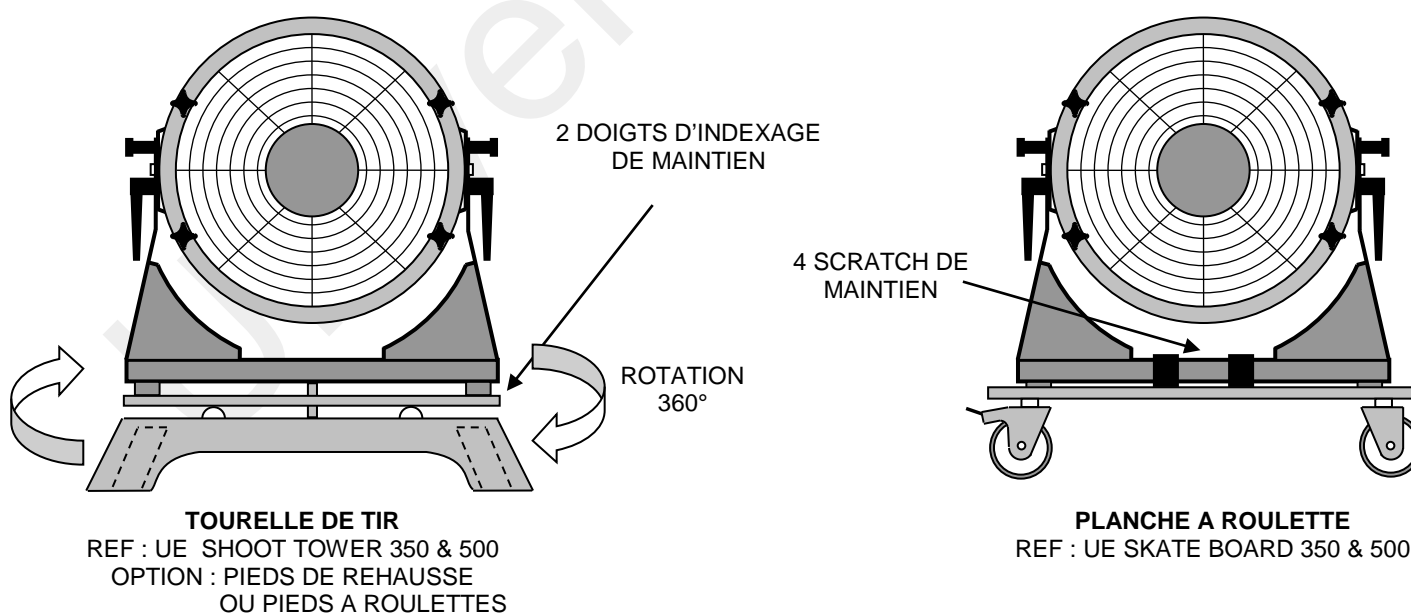
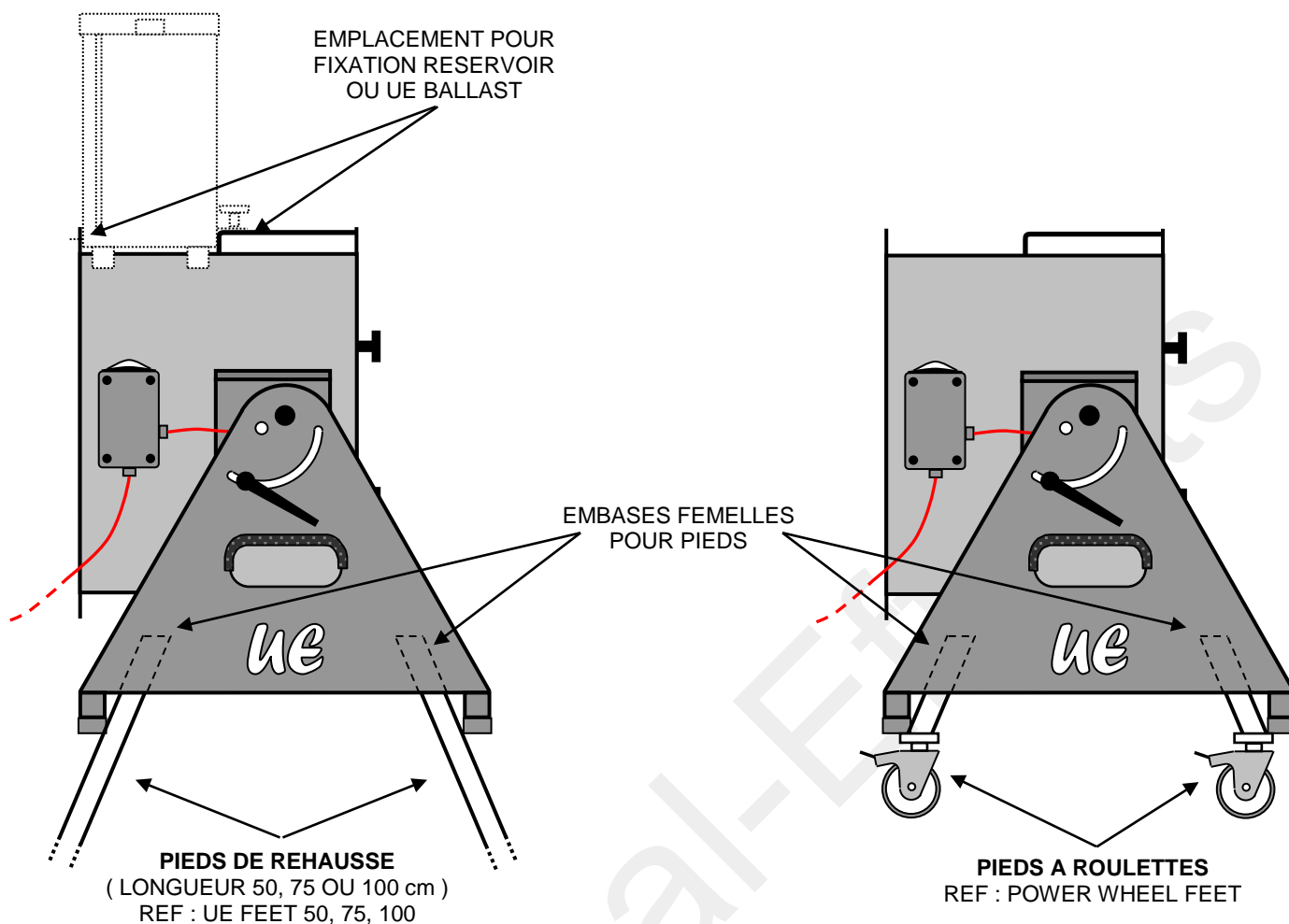


# SCHEMA TECHNIQUE – UE ST- BASE 350 & 500



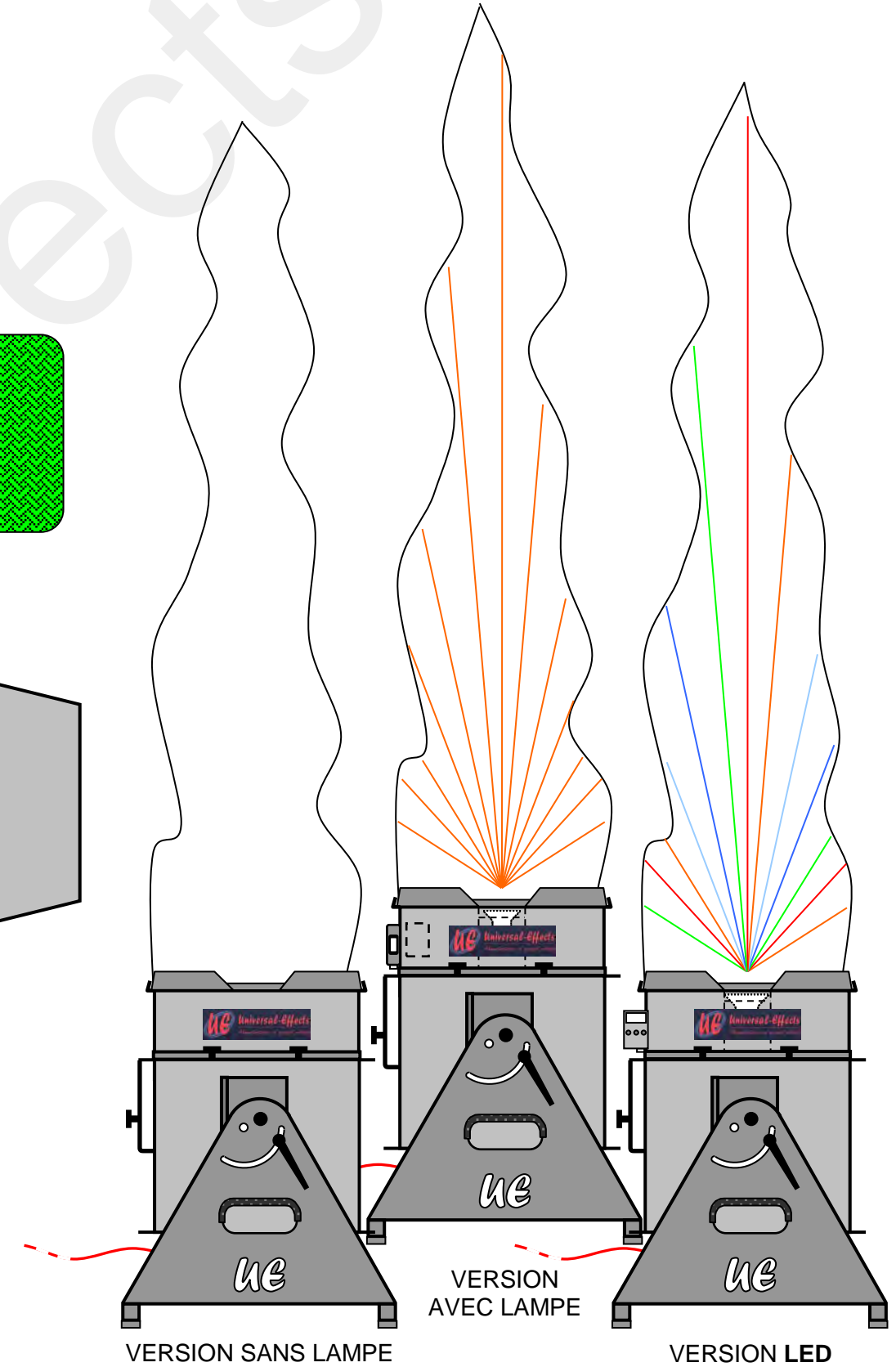
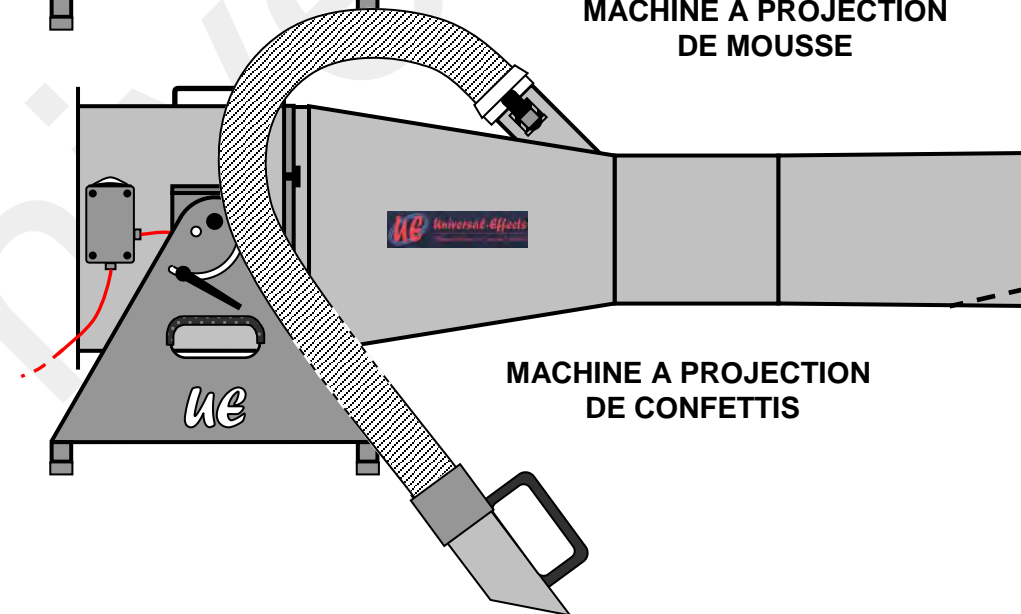
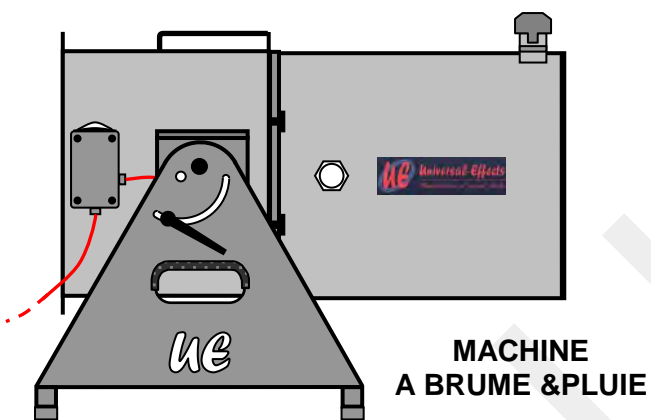
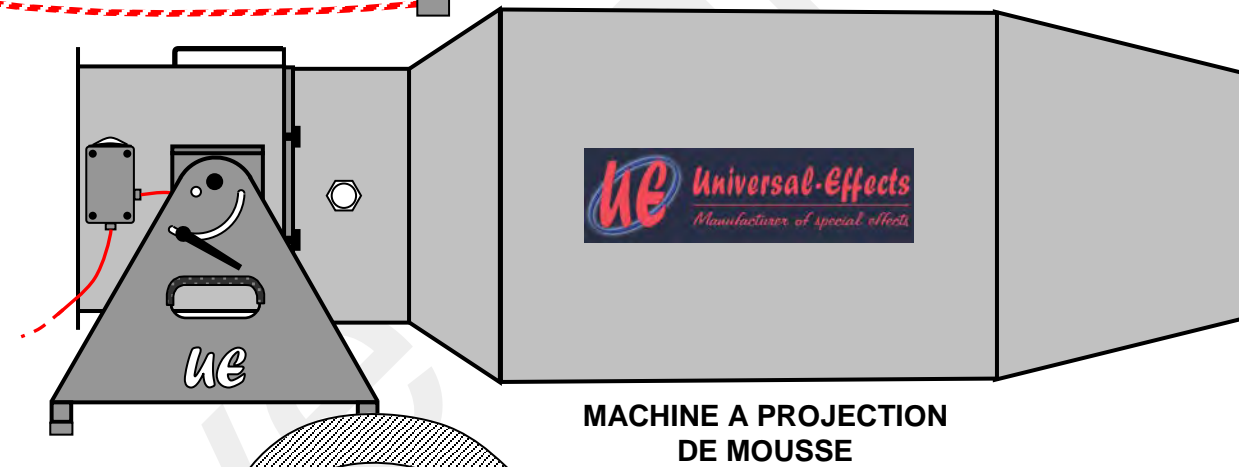
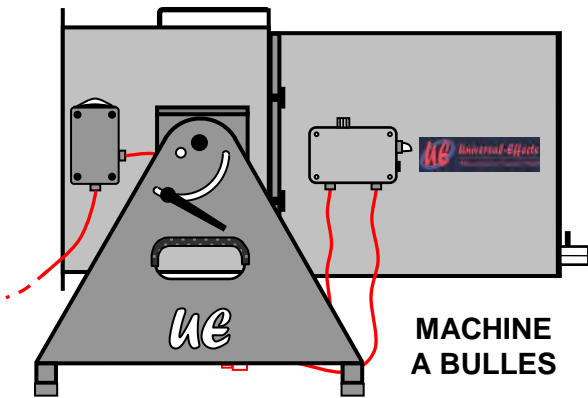
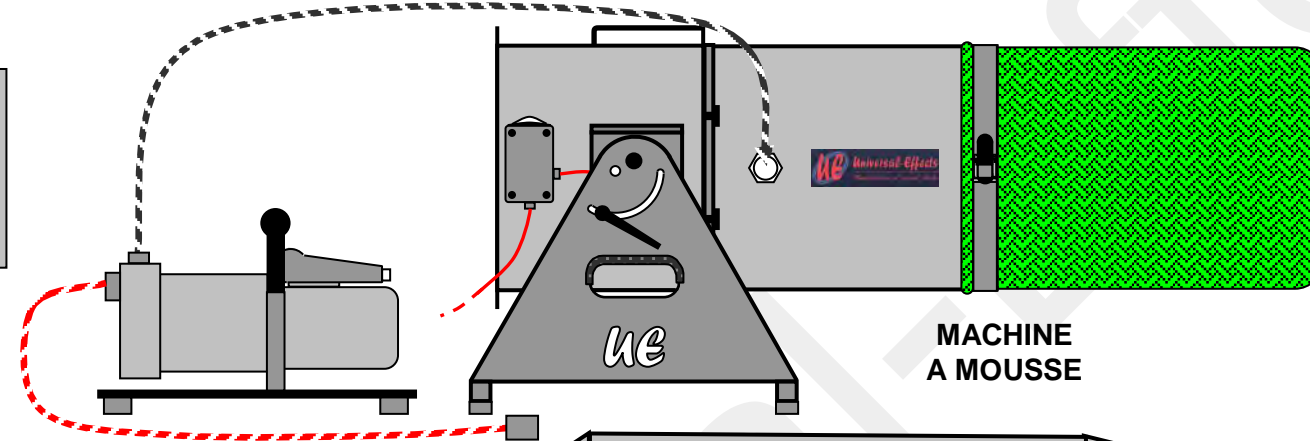
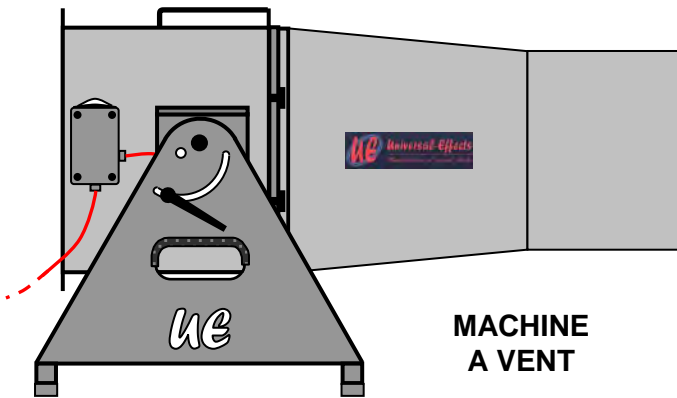
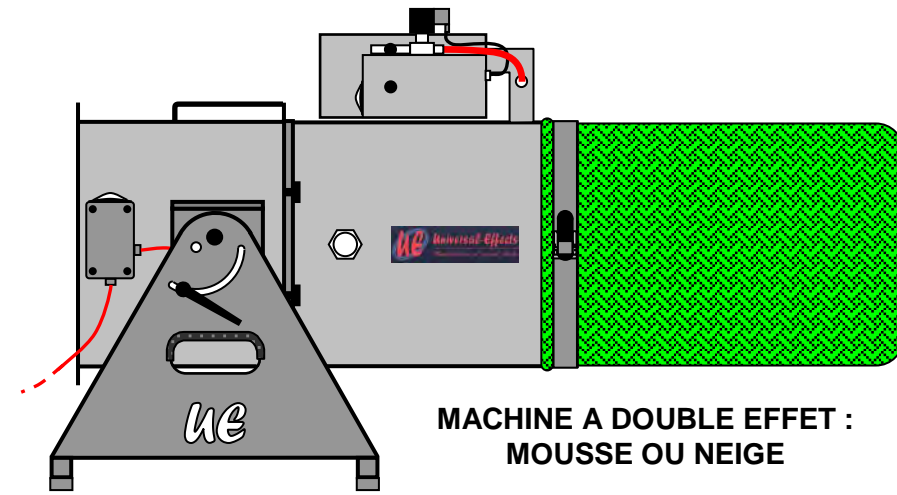
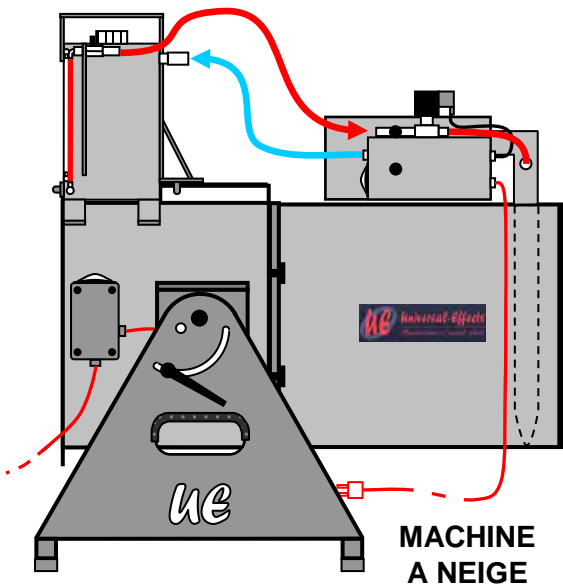
VISSERIE & QUINCAILLERIE EN INOX – CORPS EN ALUMINIUM – TRES PUISSANT

# SCHEMA TECHNIQUE – UE ST- BASE 350 & 500 AVEC 4 OPTIONS POSSIBLES

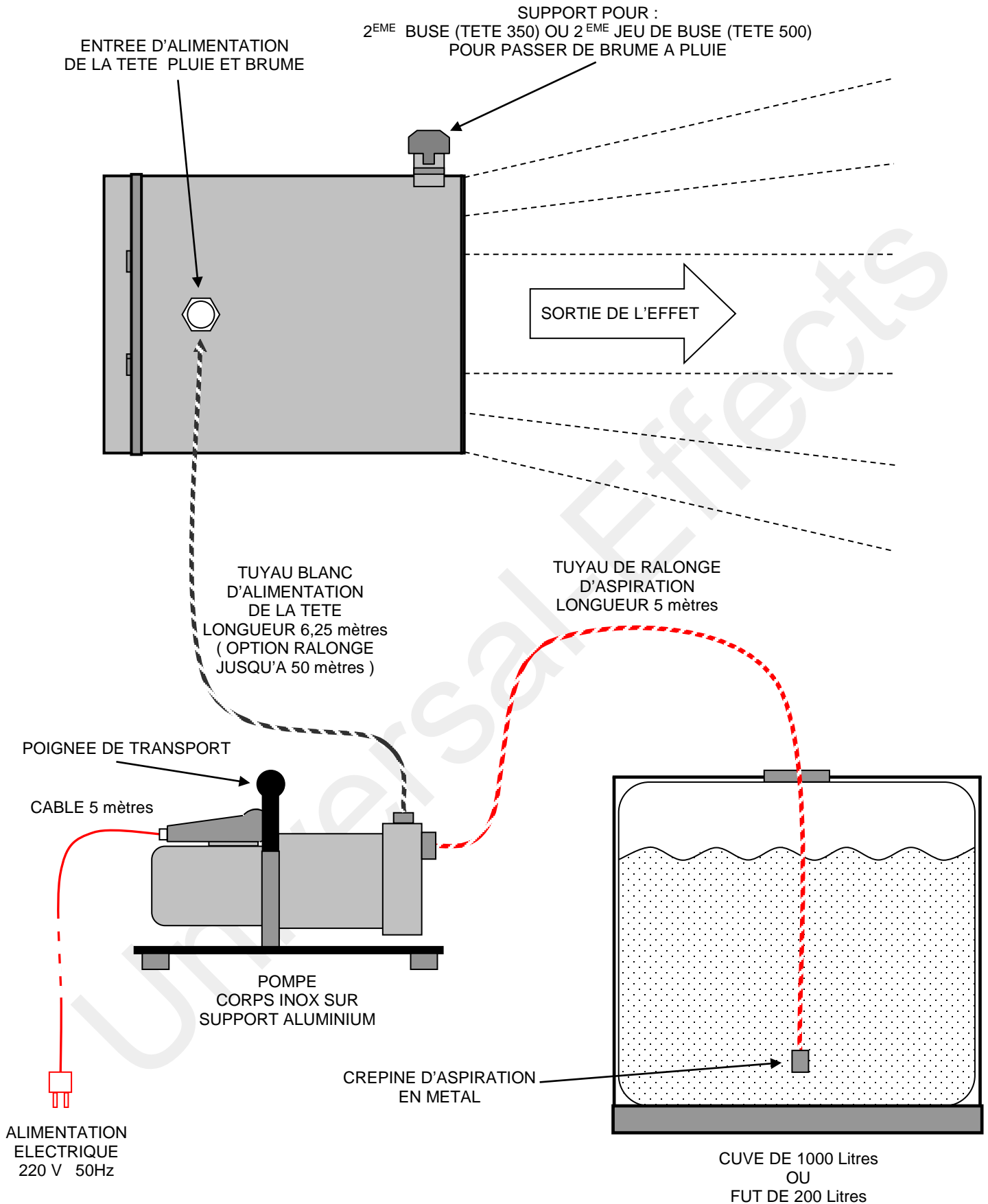


VISSERIE & QUINCAILLERIE EN INOX – CORPS EN ALUMINIUM – TRES PUISSANT

# LES COMBINAISONS AVEC UE ST- BASE 350 & 500

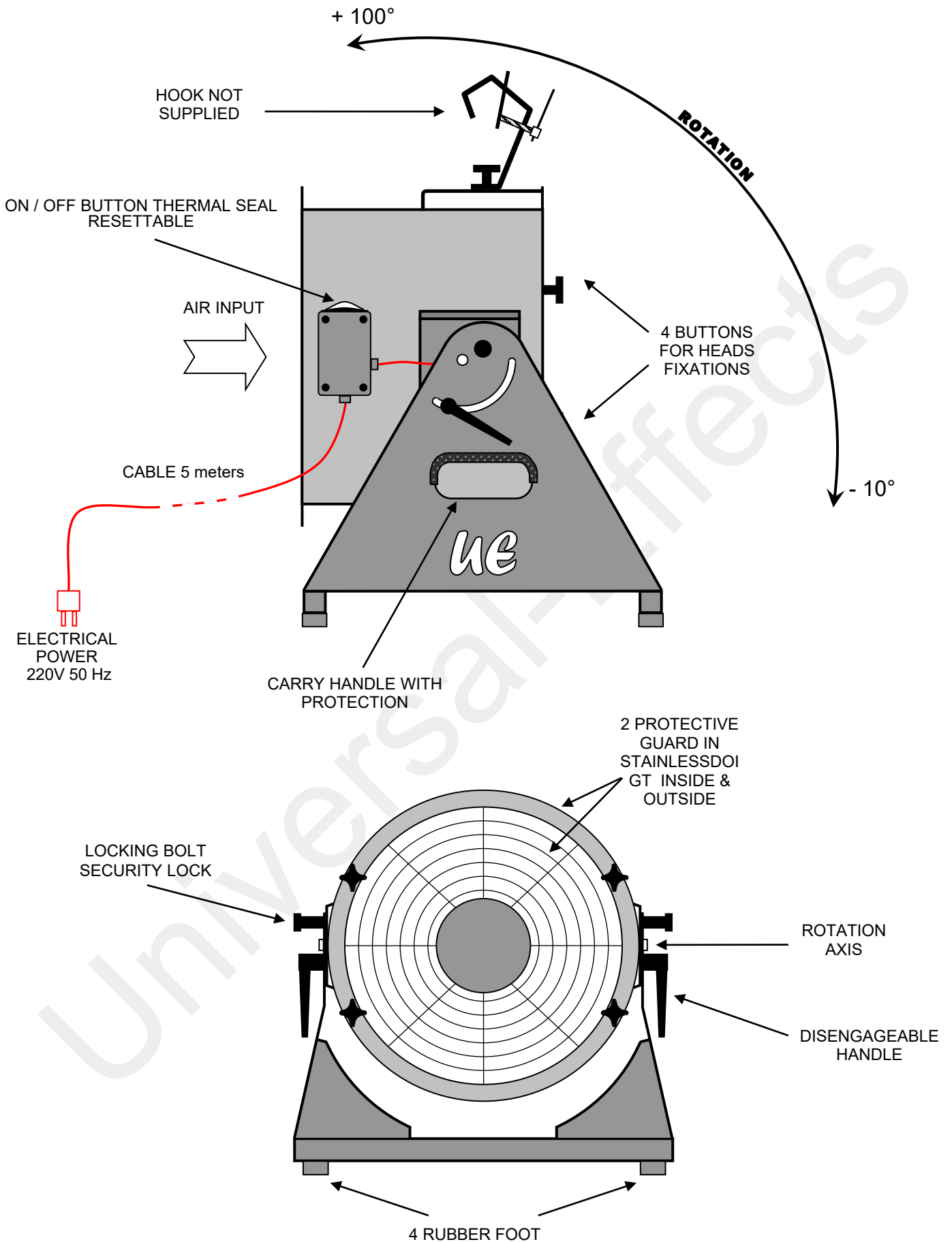


# SCHEMA TECHNIQUE – UE HEAD MIST & RAIN



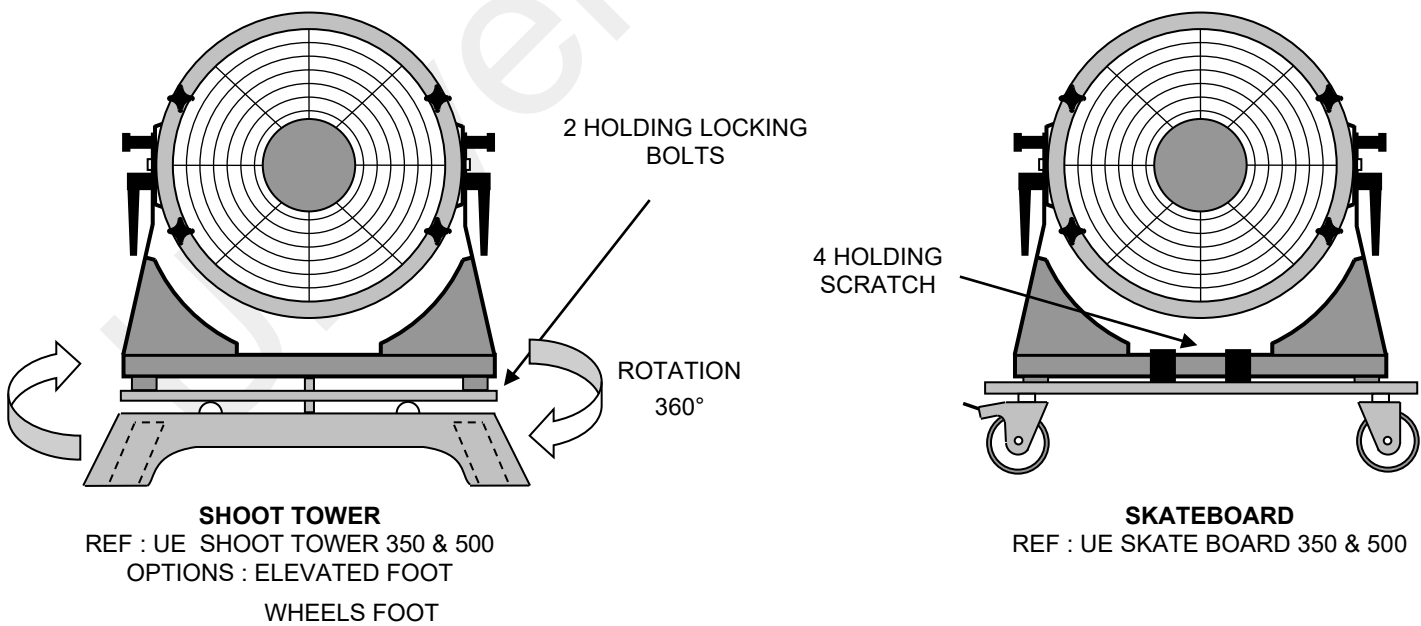
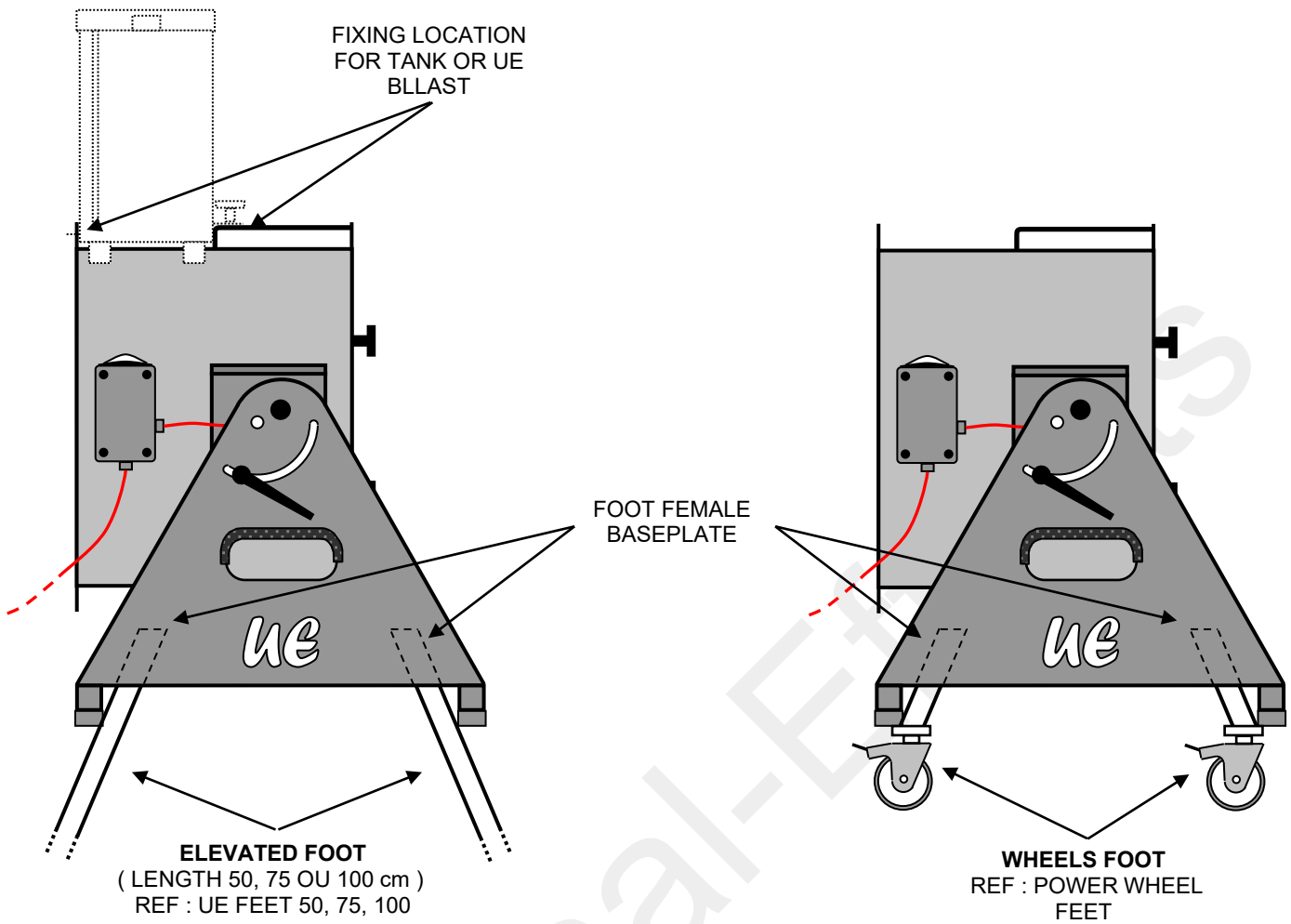
VISSERIE & QUINCAILLERIE EN INOX – CORPS EN ALUMINIUM

# TECHNICAL DIAGRAM – UE ST- BASE 350 & 500



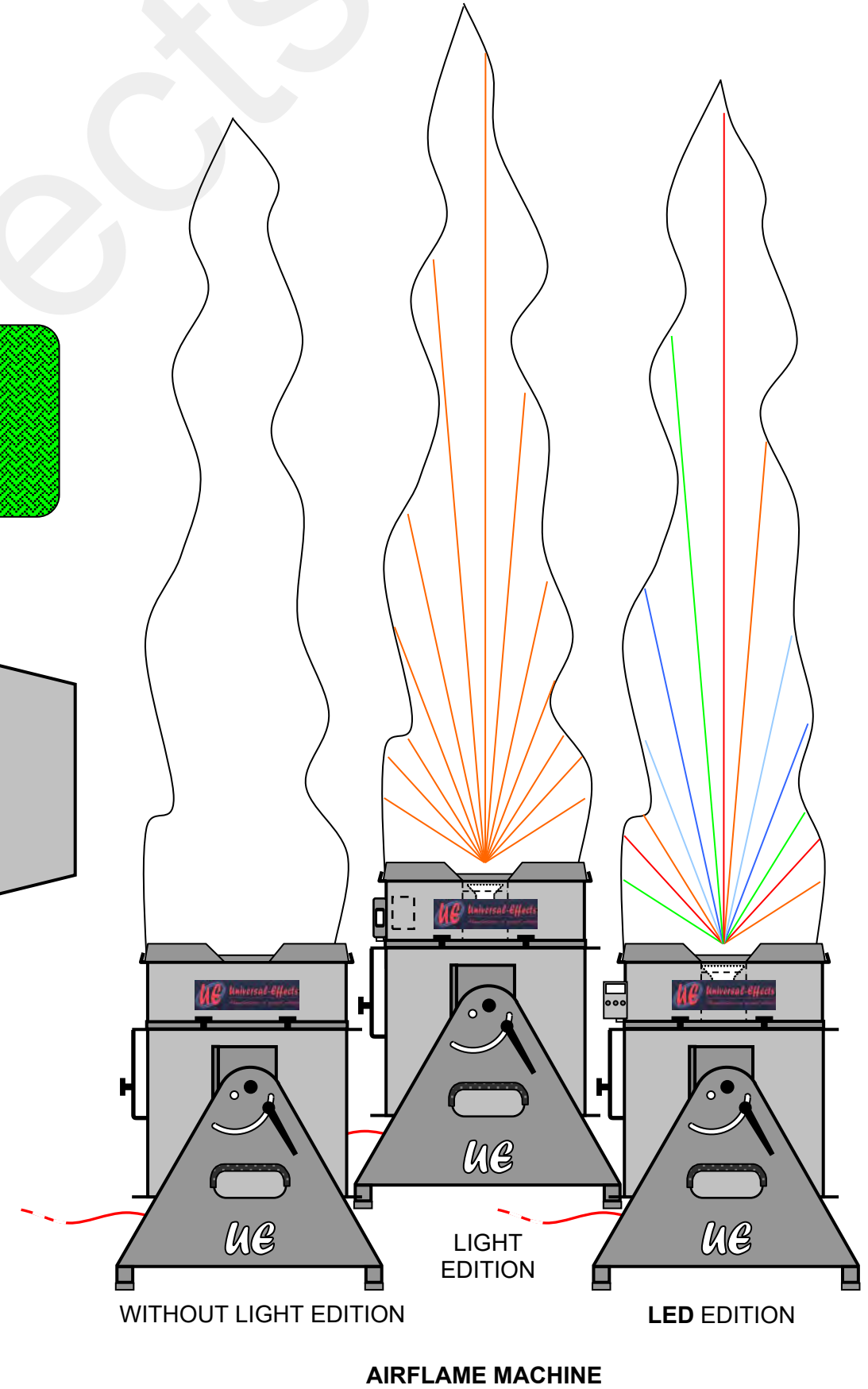
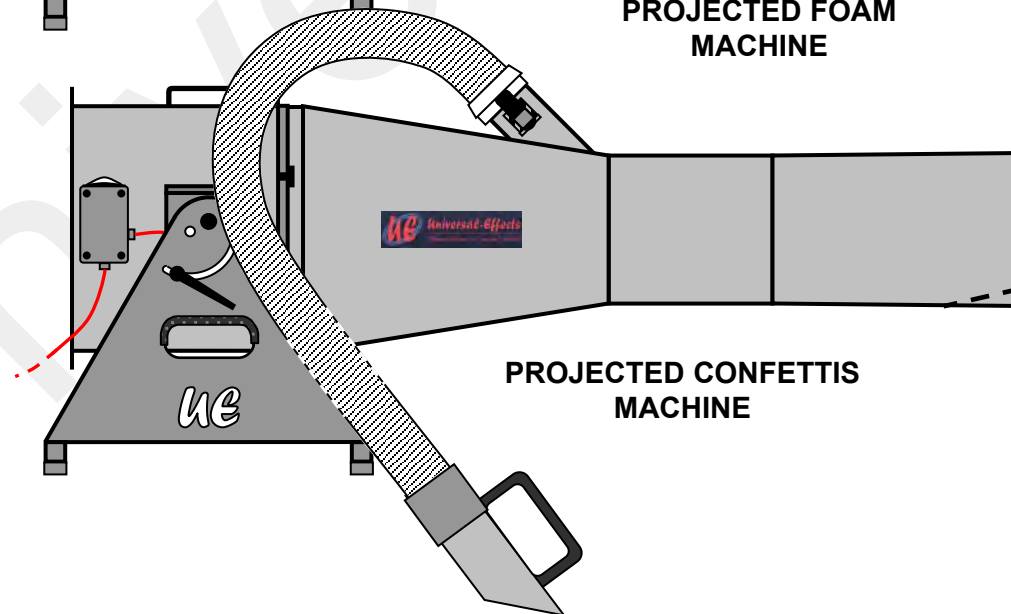
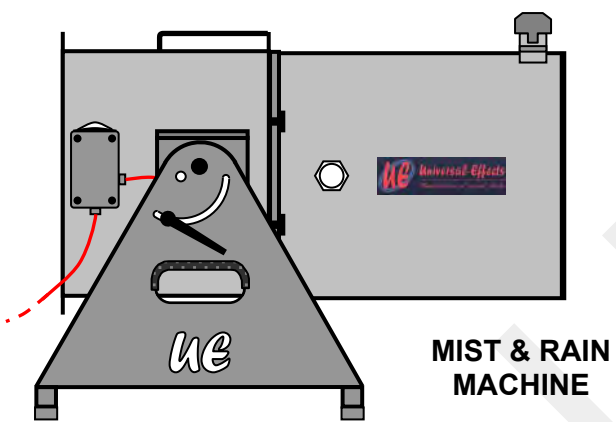
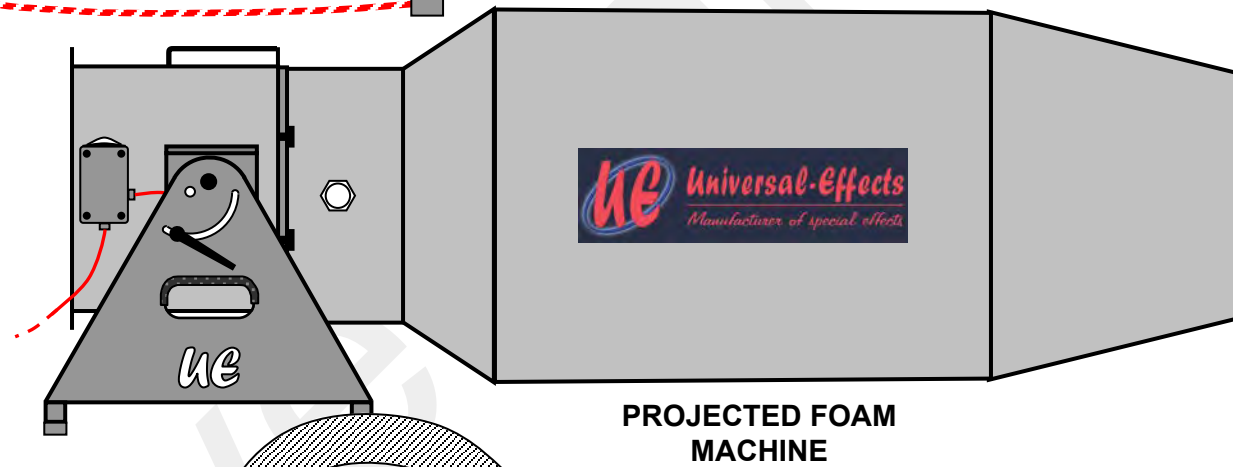
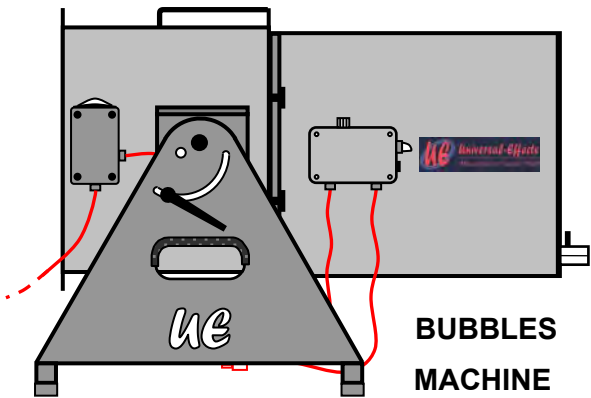
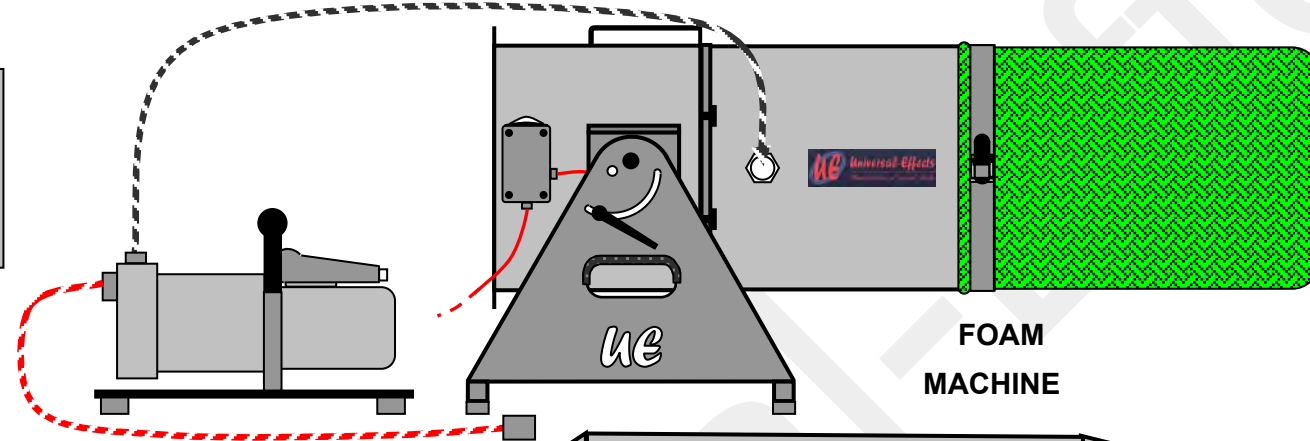
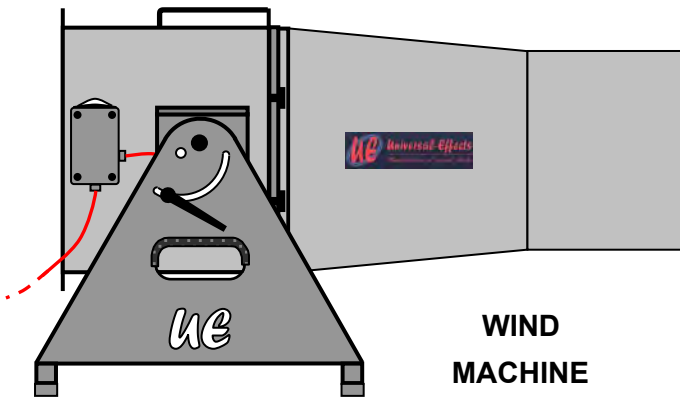
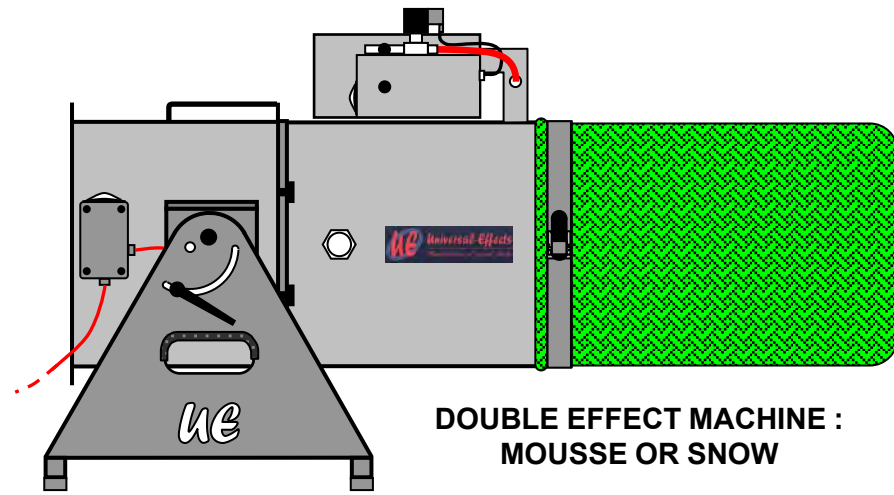
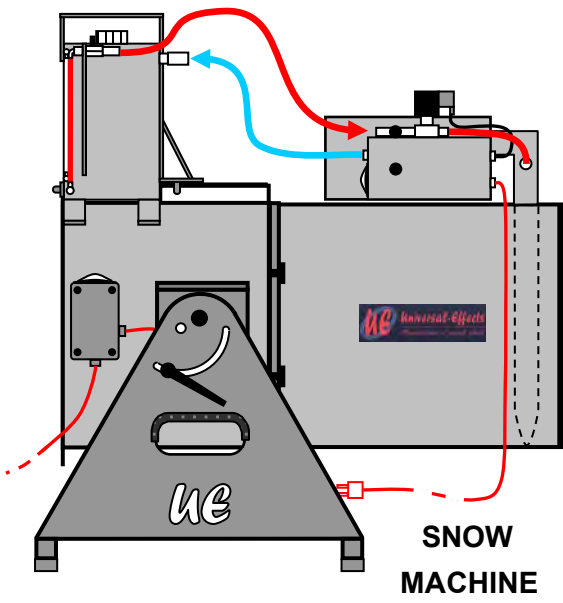
SCREWS AND HARDWARE IN STAINLESS – ALUMINIUM BODY – VERY POWERFUL

# TECHNICAL DIAGRAM – UE ST- BASE 350 & 500 WITH 4 POSSIBLES OPTIONS



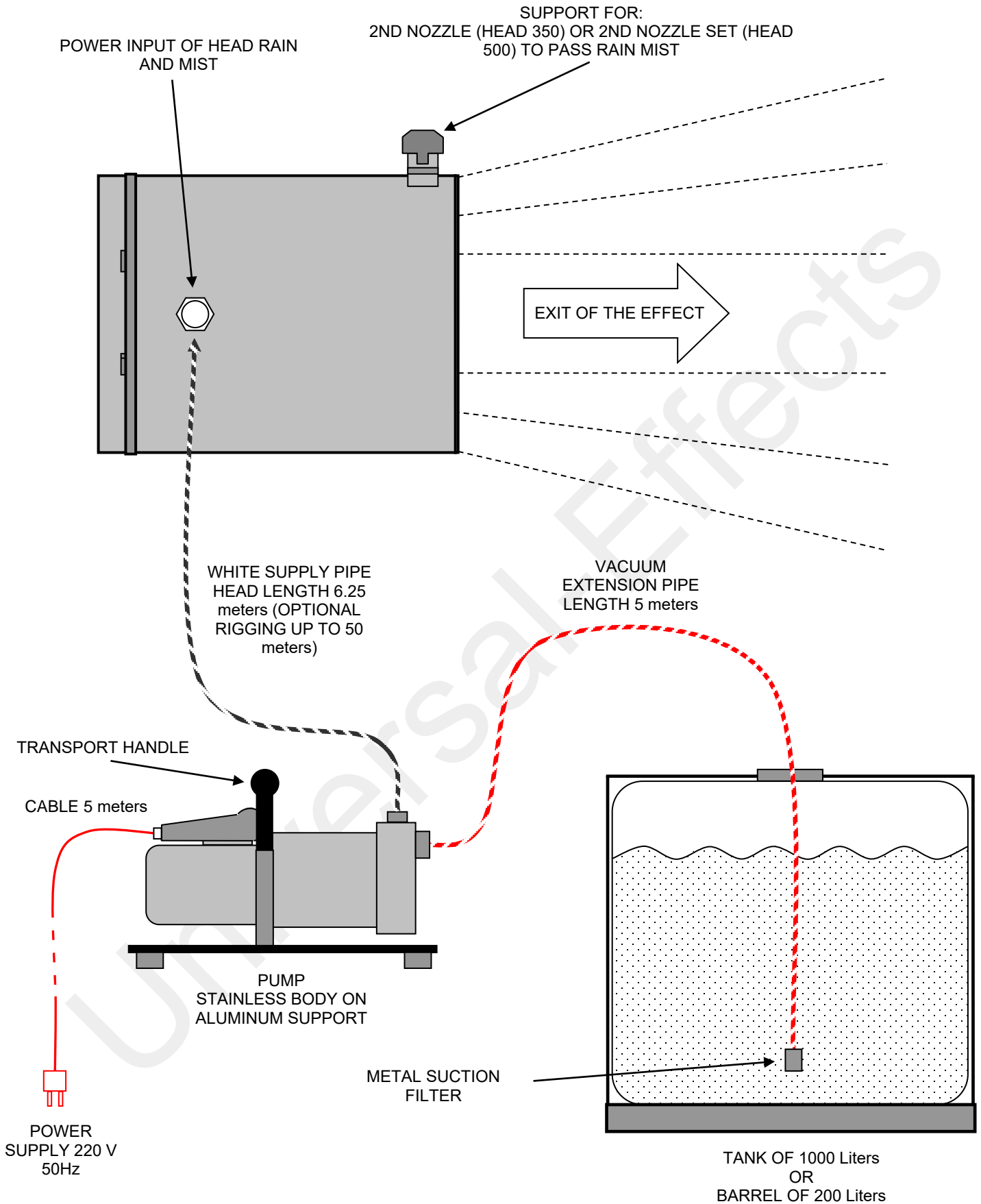
SCREWS AND HARDWARE IN STAINLESS – ALUMINIUM BODY – VERY POWERFUL

# COMBINATIONS WITH UE ST- BASE 350 & 500





# TECHNICAL DIAGRAM – UE HEAD MIST & RAIN



STAINLESS SCREWS & HARDWARE - ALUMINUM BODY