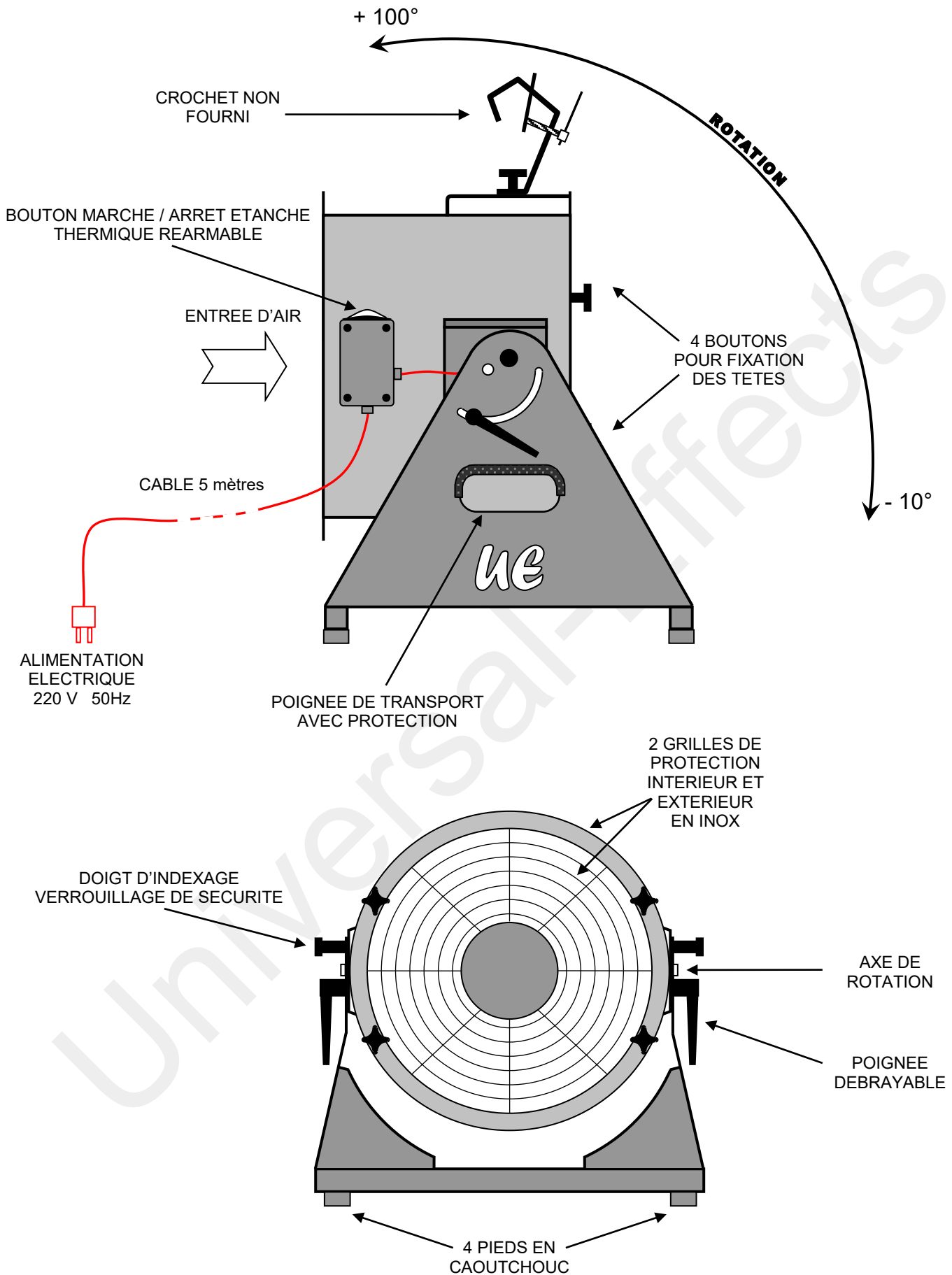
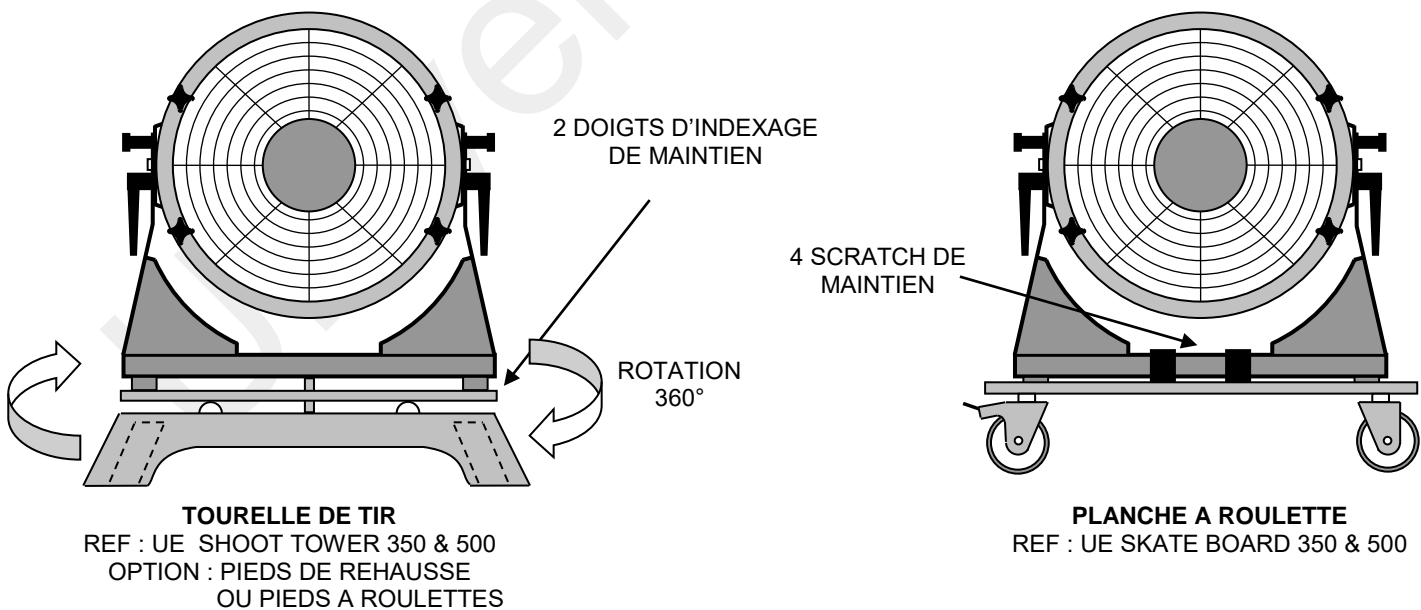
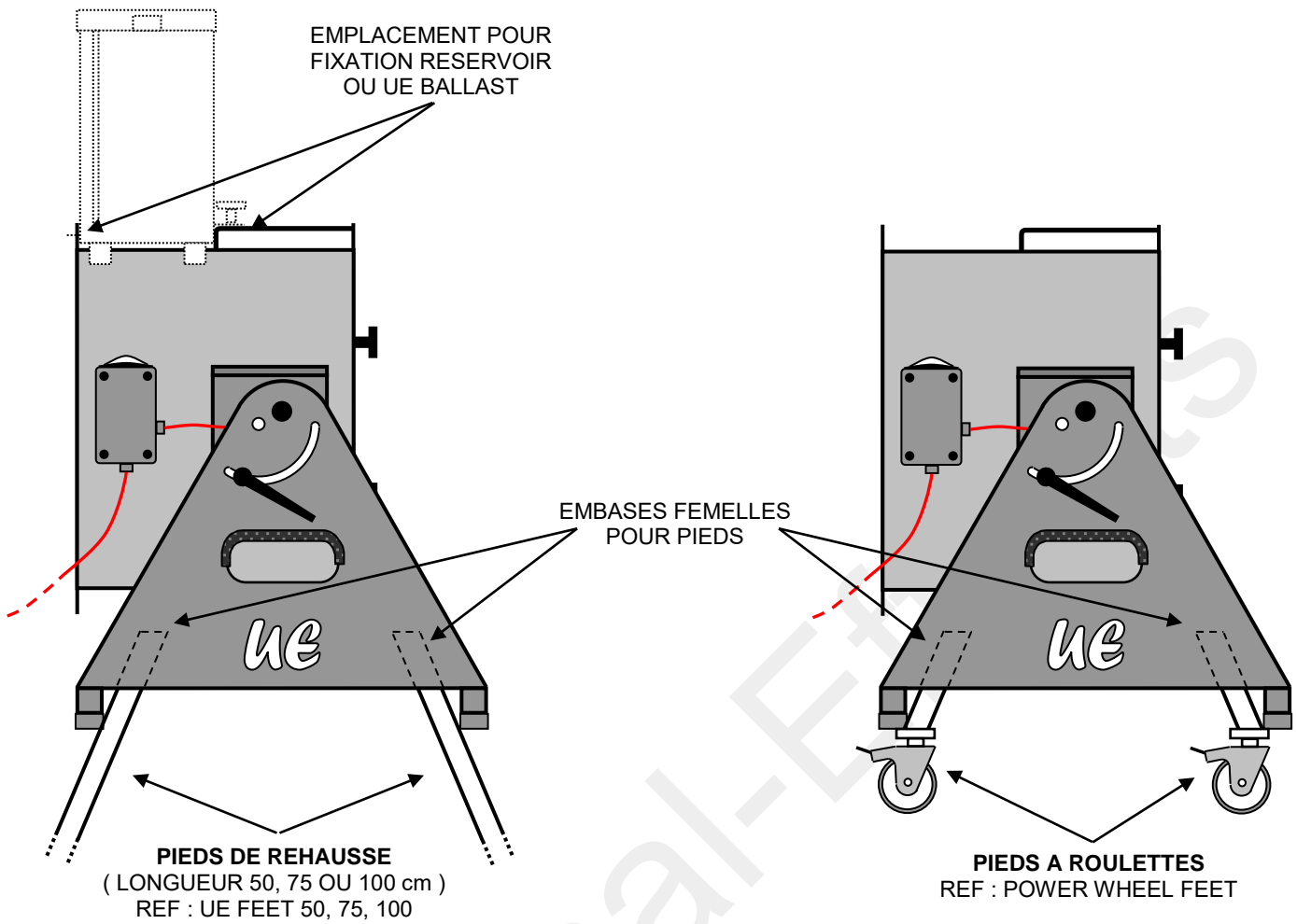


SCHEMA TECHNIQUE – UE ST- BASE 350 & 500



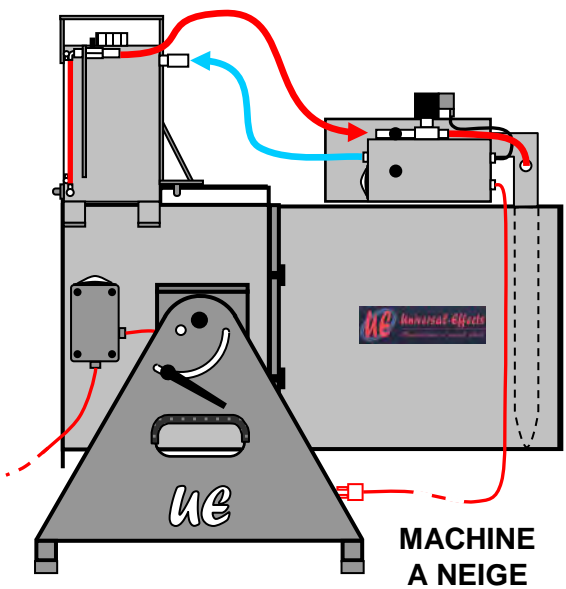
VISSERIE & QUINCAILLERIE EN INOX – CORPS EN ALUMINIUM – TRES PUISSANT

SCHEMA TECHNIQUE – UE ST- BASE 350 & 500 AVEC 4 OPTIONS POSSIBLES

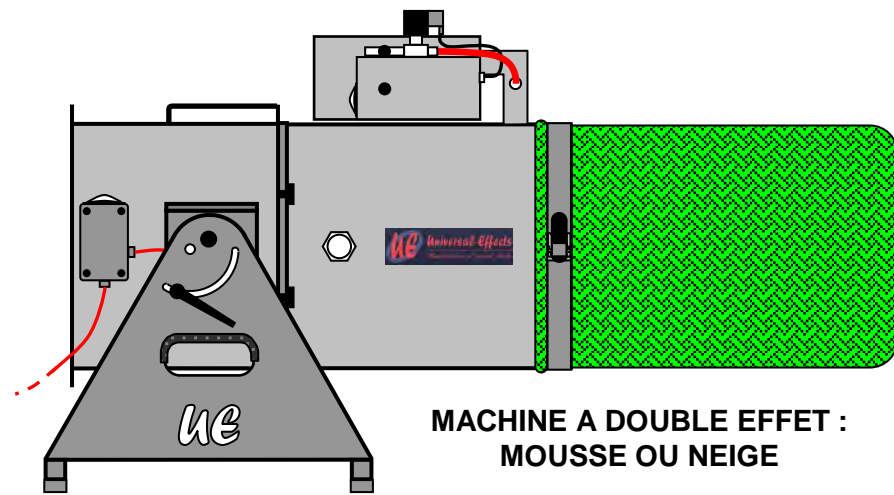


VISSERIE & QUINCAILLERIE EN INOX – CORPS EN ALUMINIUM – TRES PUISSANT

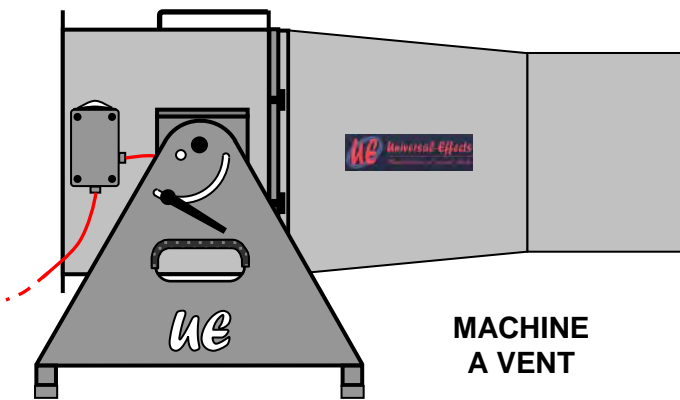
LES COMBINAISONS AVEC UE ST- BASE 350 & 500



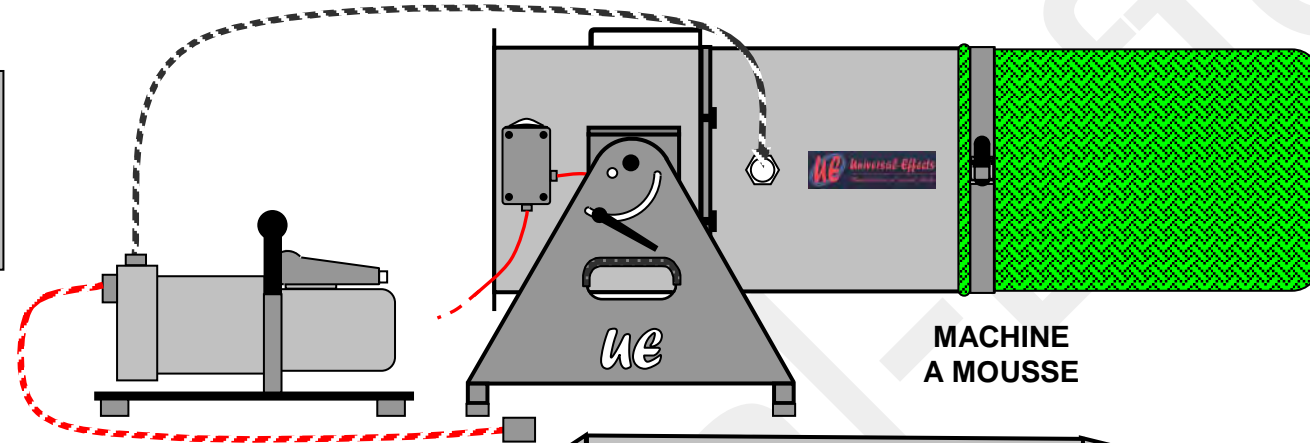
MACHINE A NEIGE



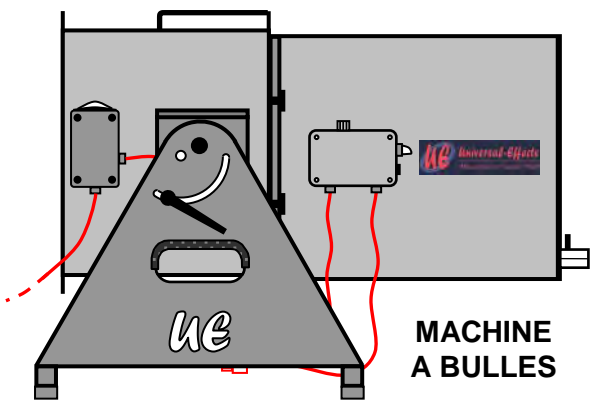
MACHINE A DOUBLE EFFET : MOUSSE OU NEIGE



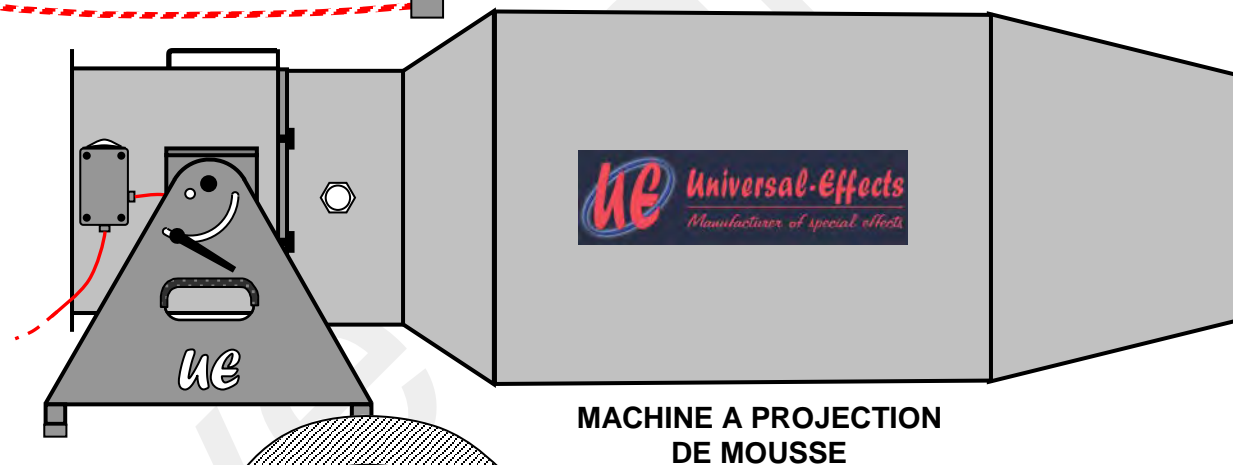
MACHINE A VENT



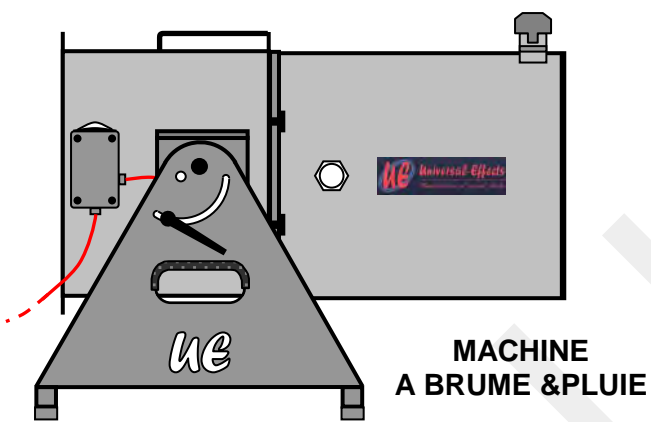
MACHINE A MOUSSE



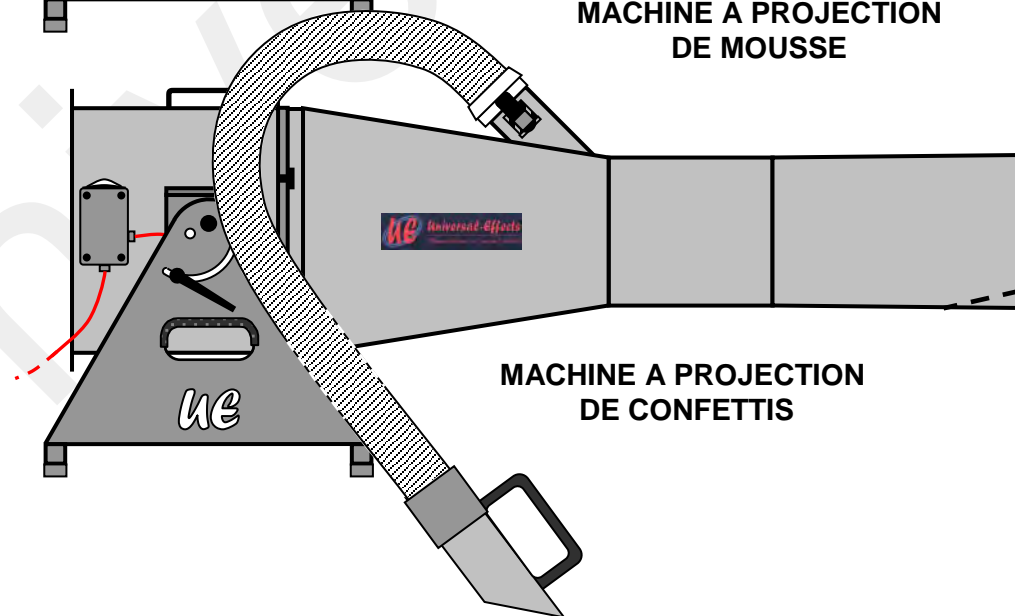
MACHINE A BULLES



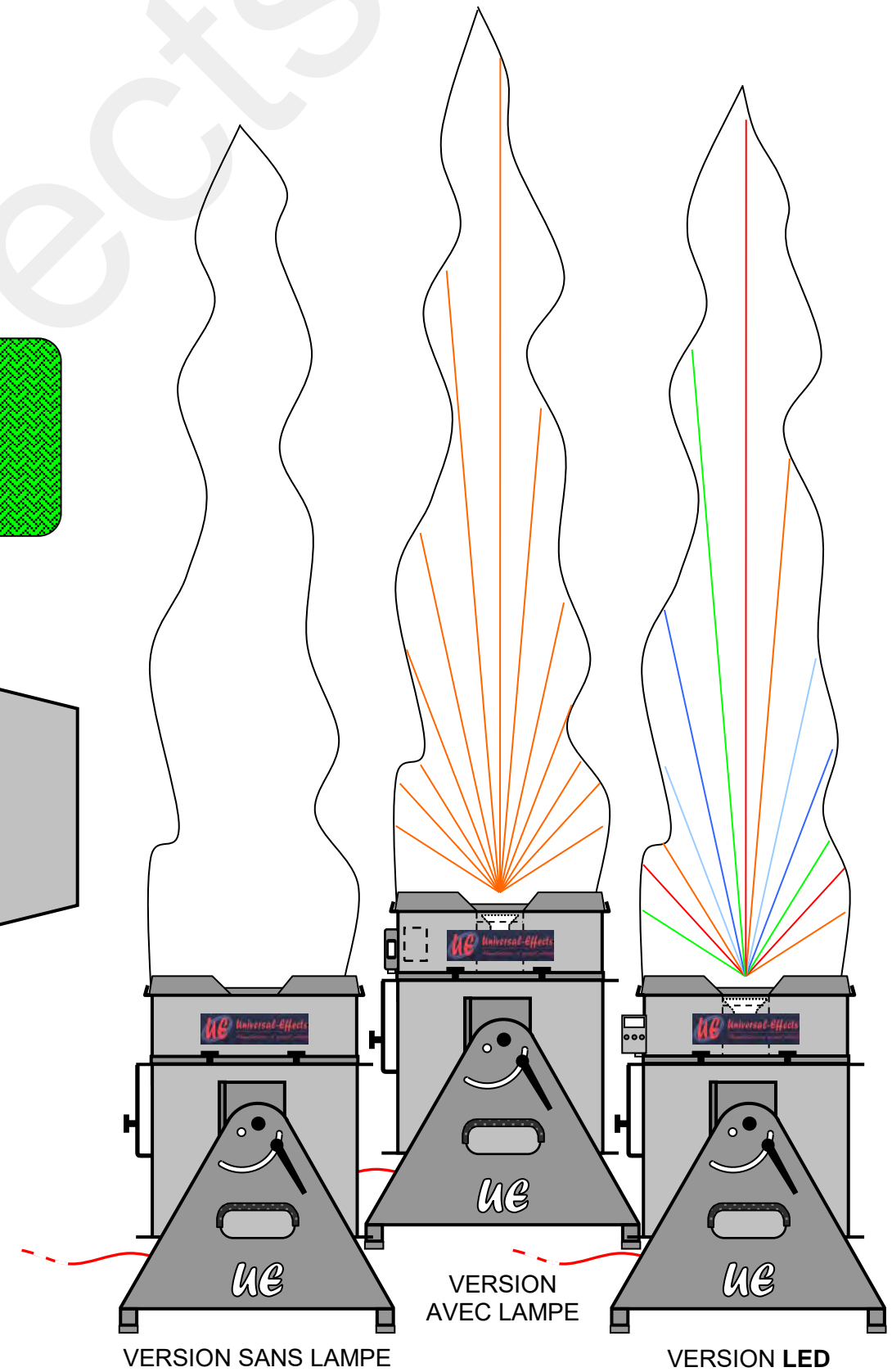
MACHINE A PROJECTION DE MOUSSE



MACHINE A BRUME & PLUIE



MACHINE A PROJECTION DE CONFETTIS



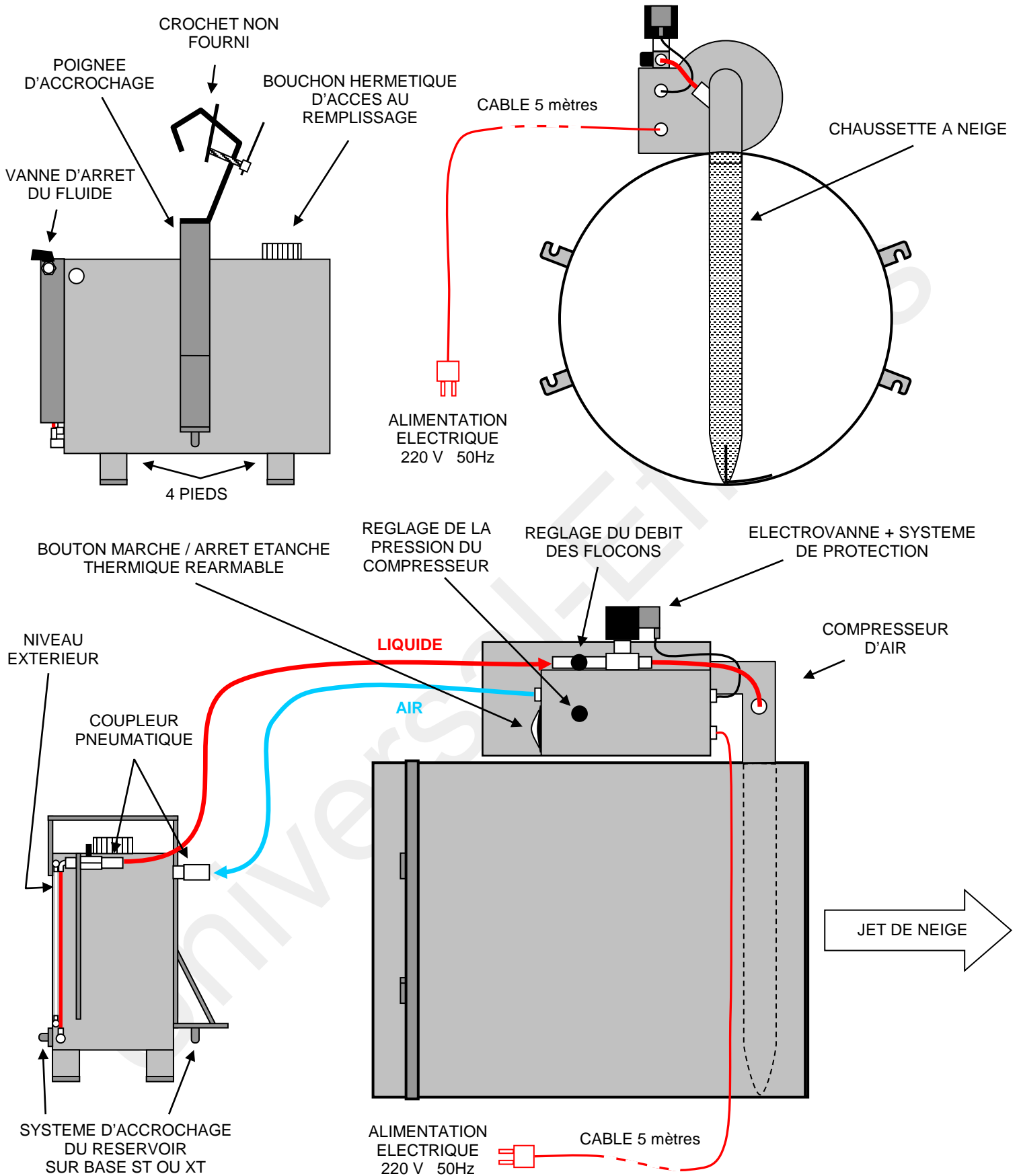
VERSION SANS LAMPE

VERSION AVEC LAMPE

VERSION LED

MACHINE A FLAMME DE SOIE

SCHEMA TECHNIQUE – UE HEAD SNOW

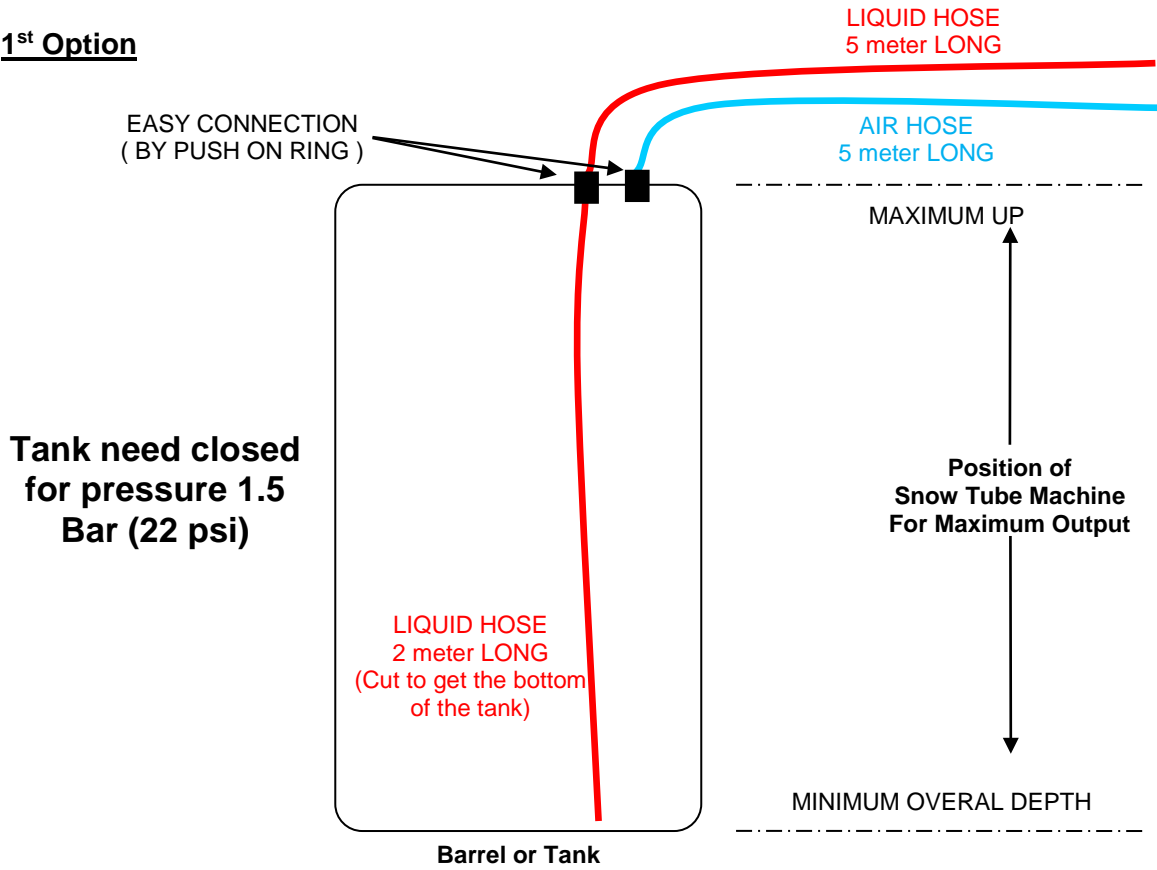


VISSERIE & QUINCAILLERIE EN INOX – CORPS EN ALUMINIUM

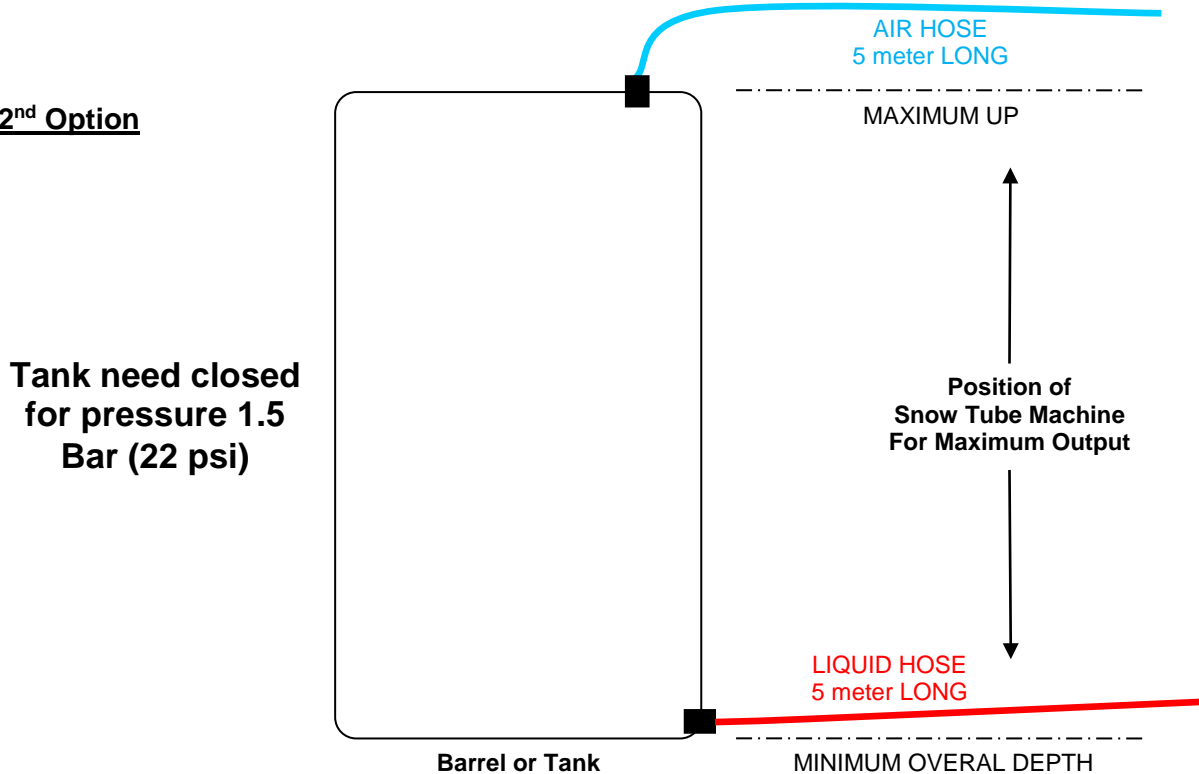


Kit Connection Snow Fluid Tank For Snow Tube

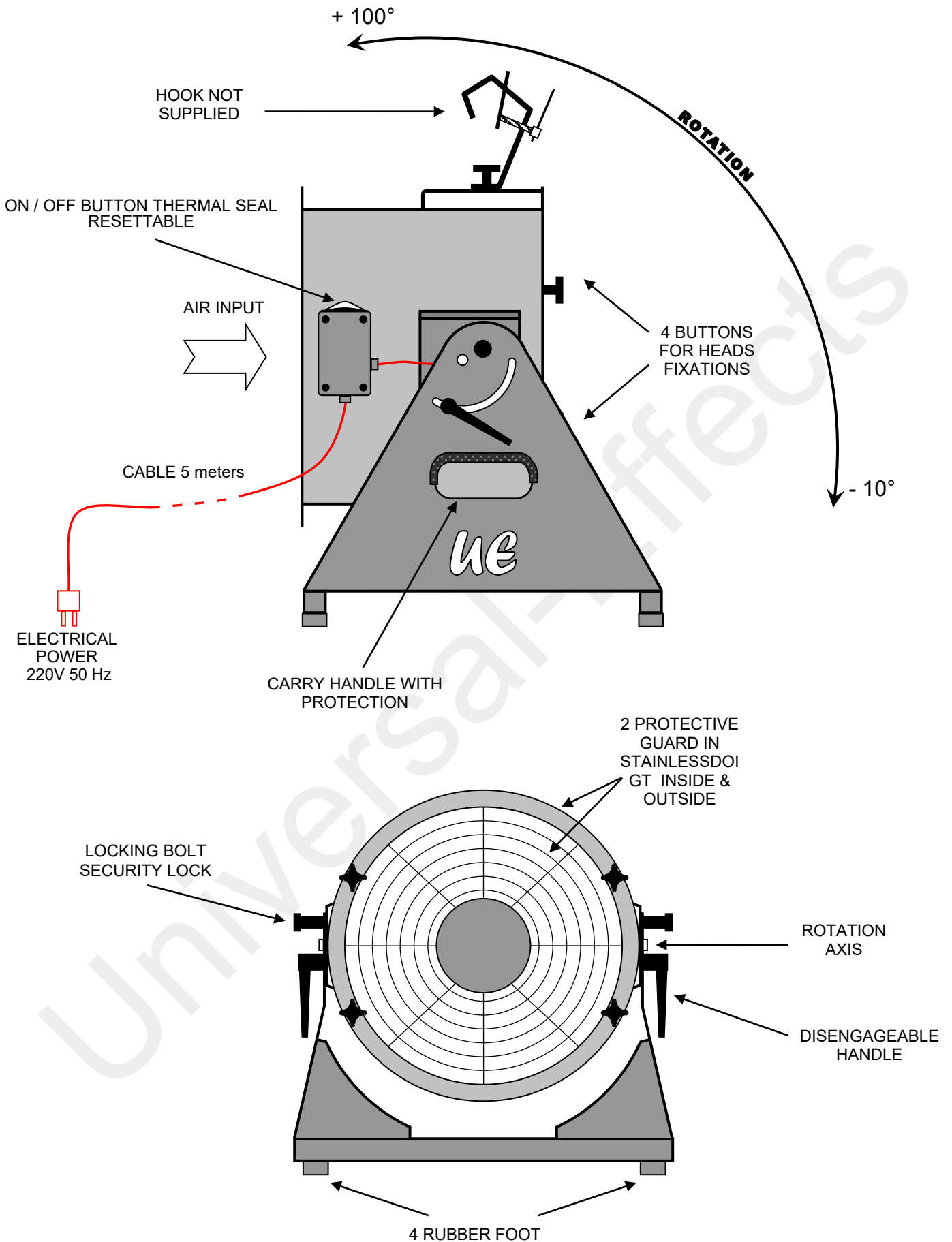
1st Option



2nd Option

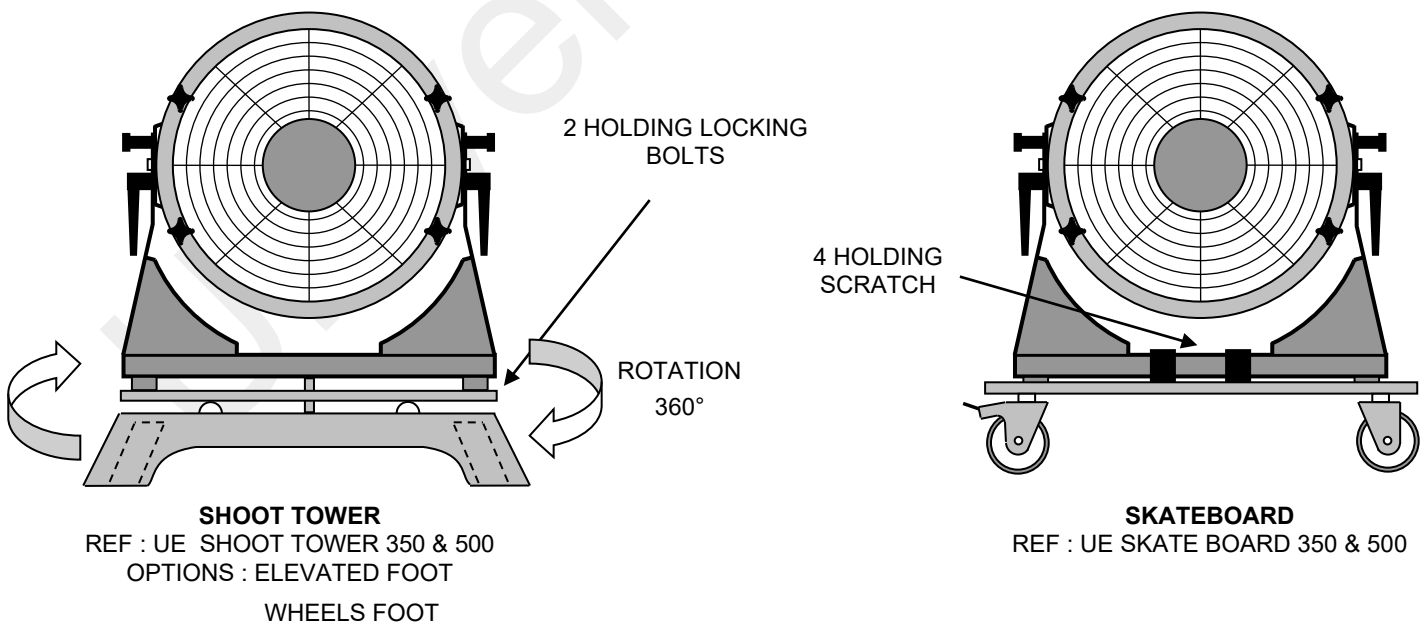
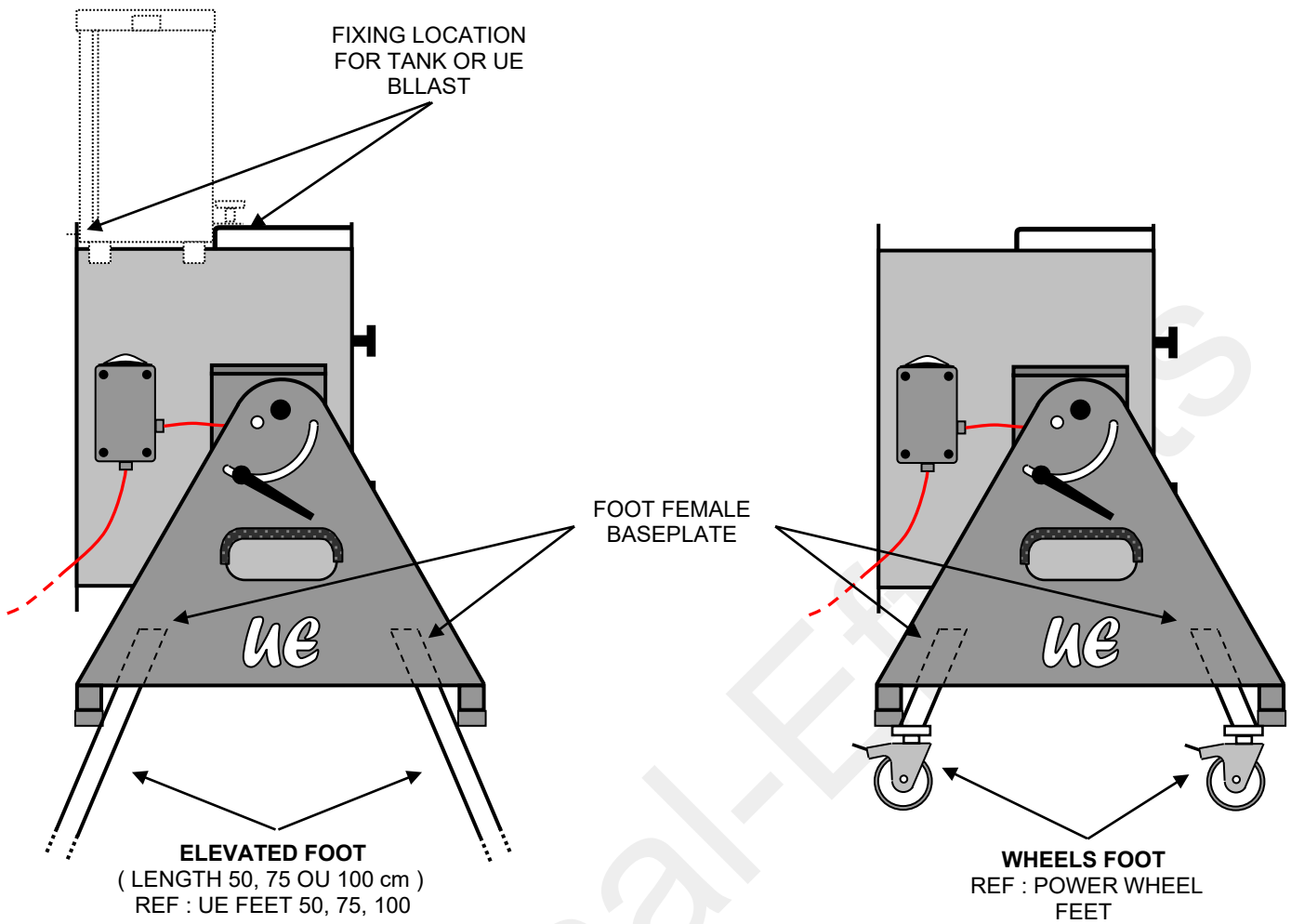


TECHNICAL DIAGRAM – UE ST- BASE 350 & 500



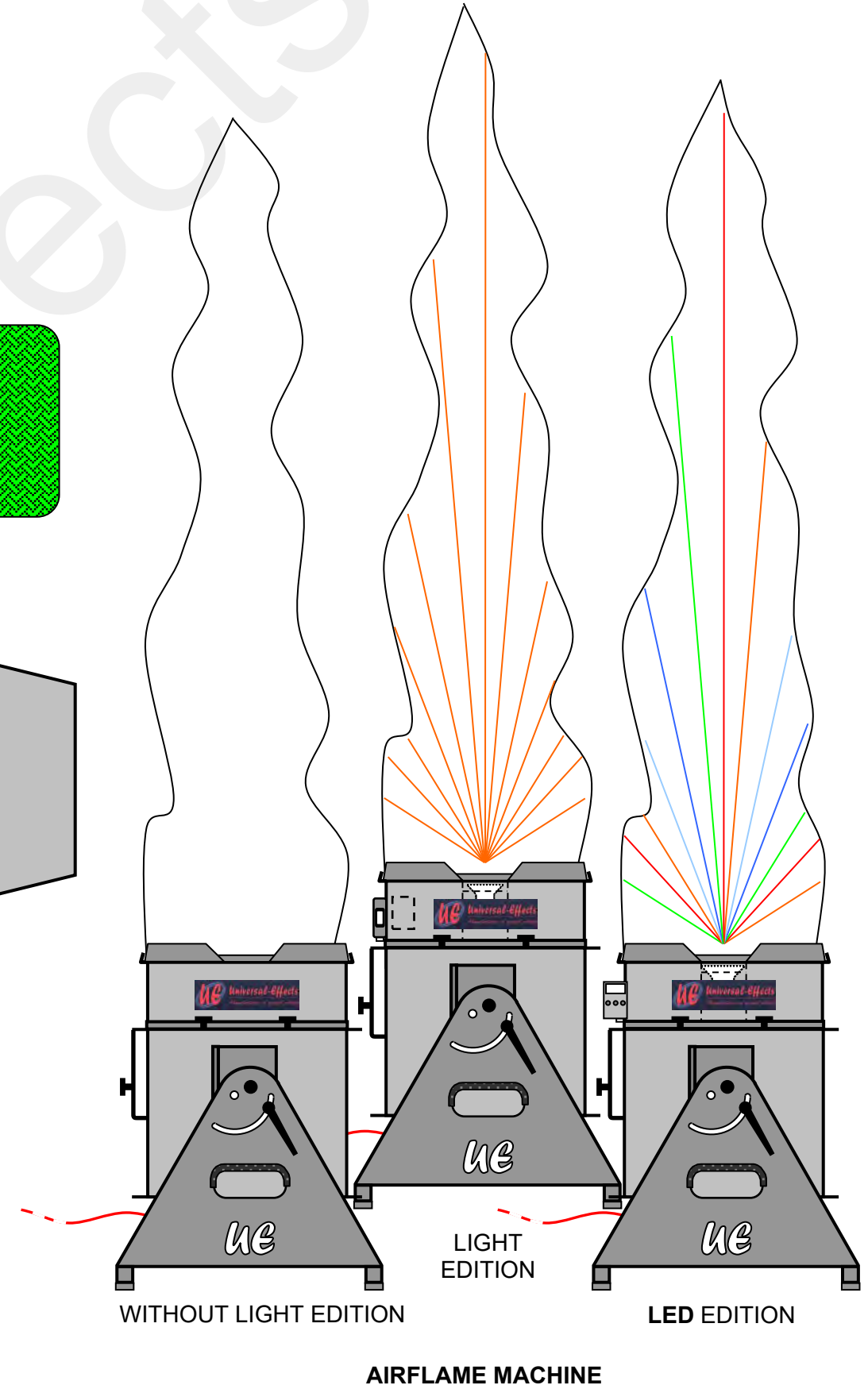
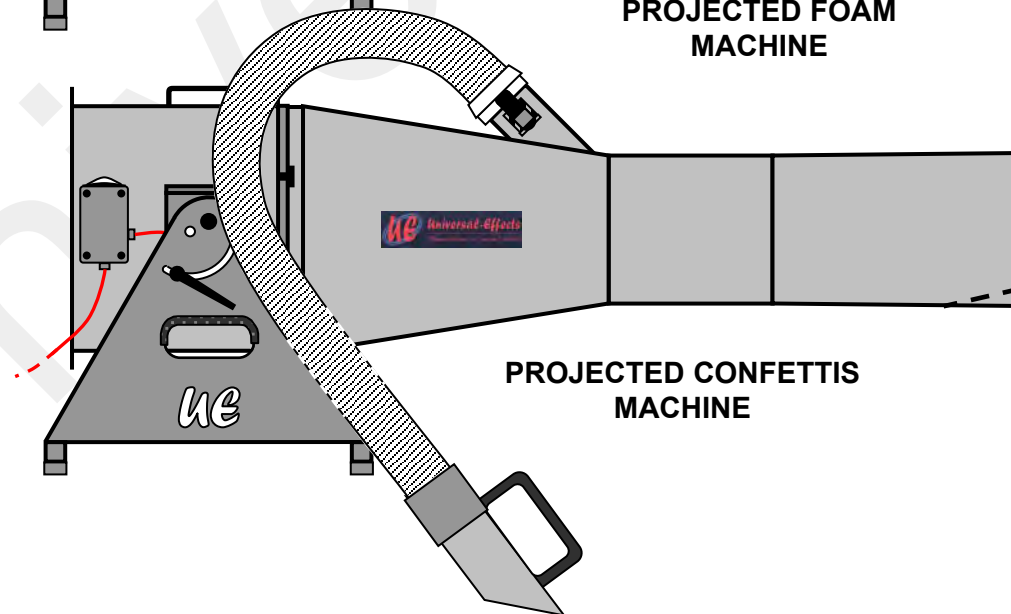
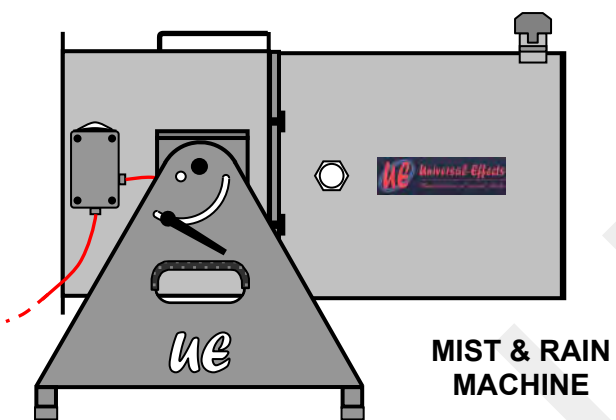
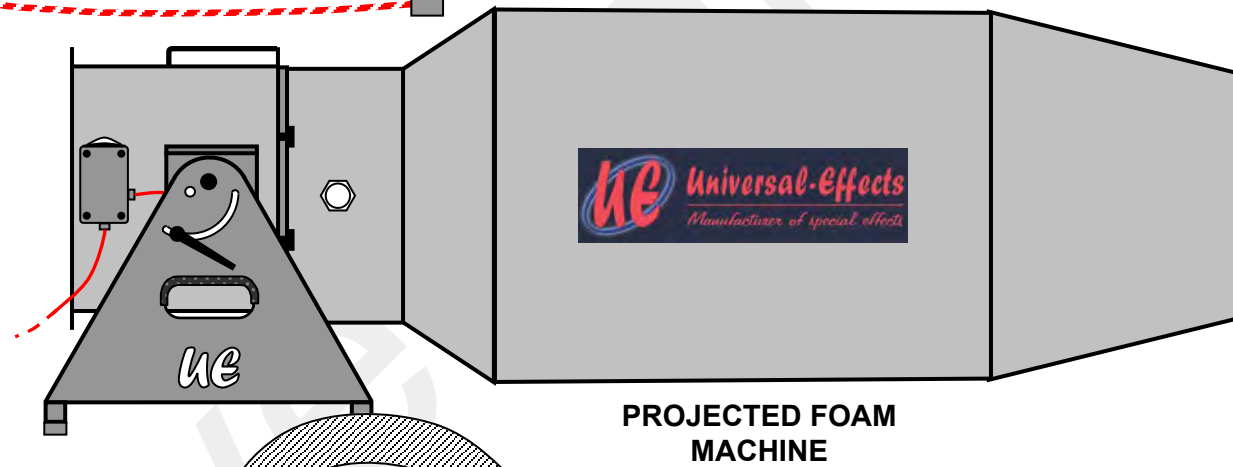
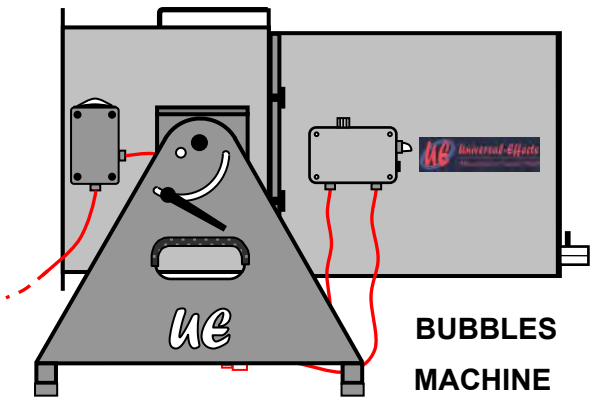
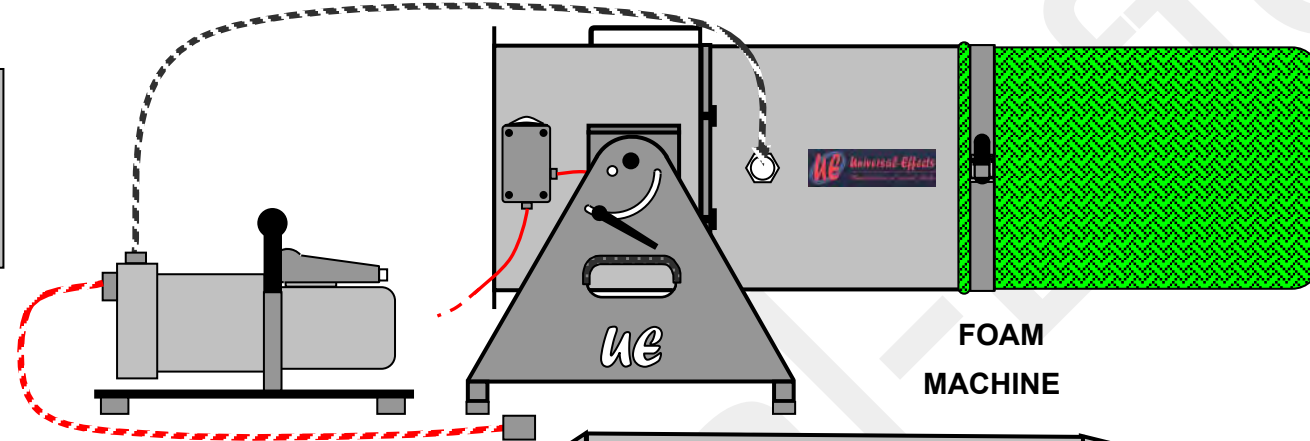
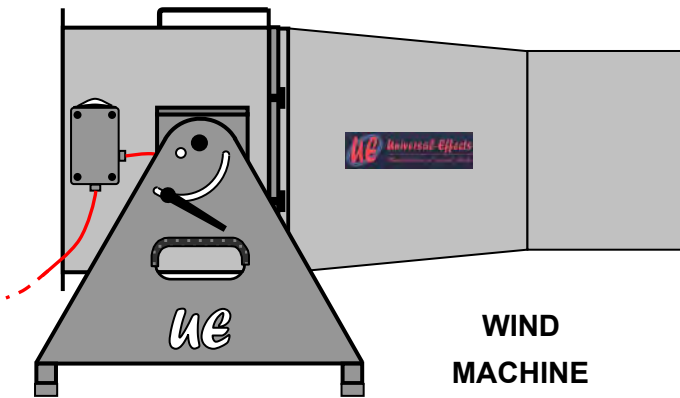
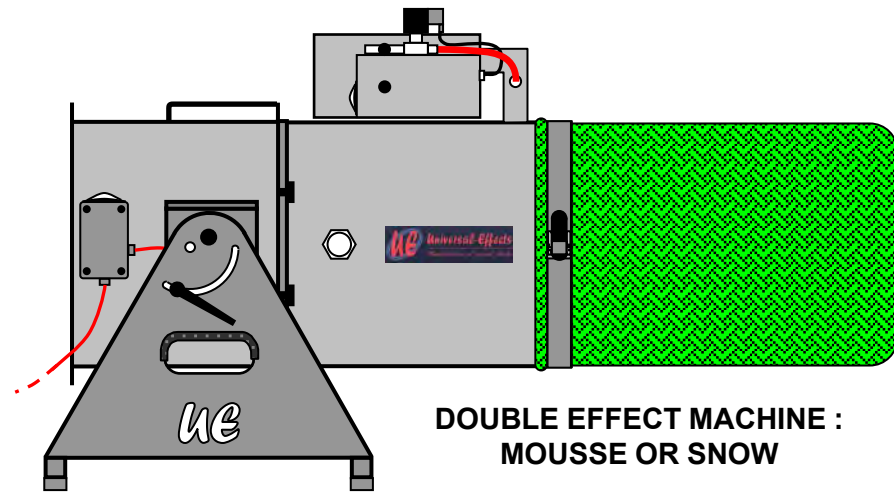
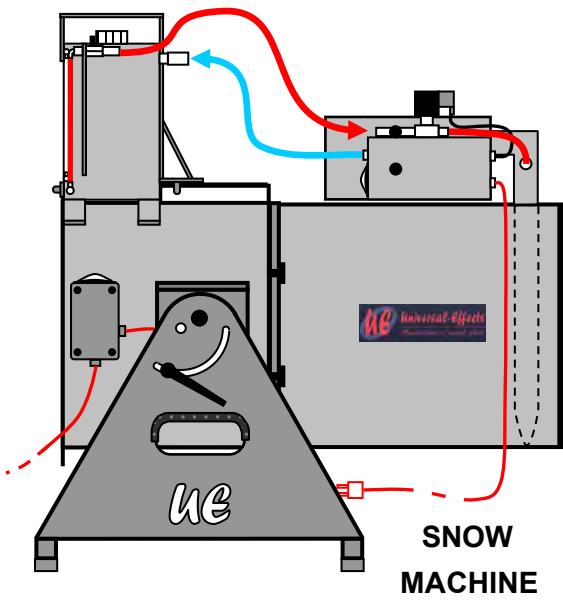
SCREWS AND HARDWARE IN STAINLESS – ALUMINIUM BODY – VERY POWERFUL

TECHNICAL DIAGRAM – UE ST- BASE 350 & 500 WITH 4 POSSIBLES OPTIONS

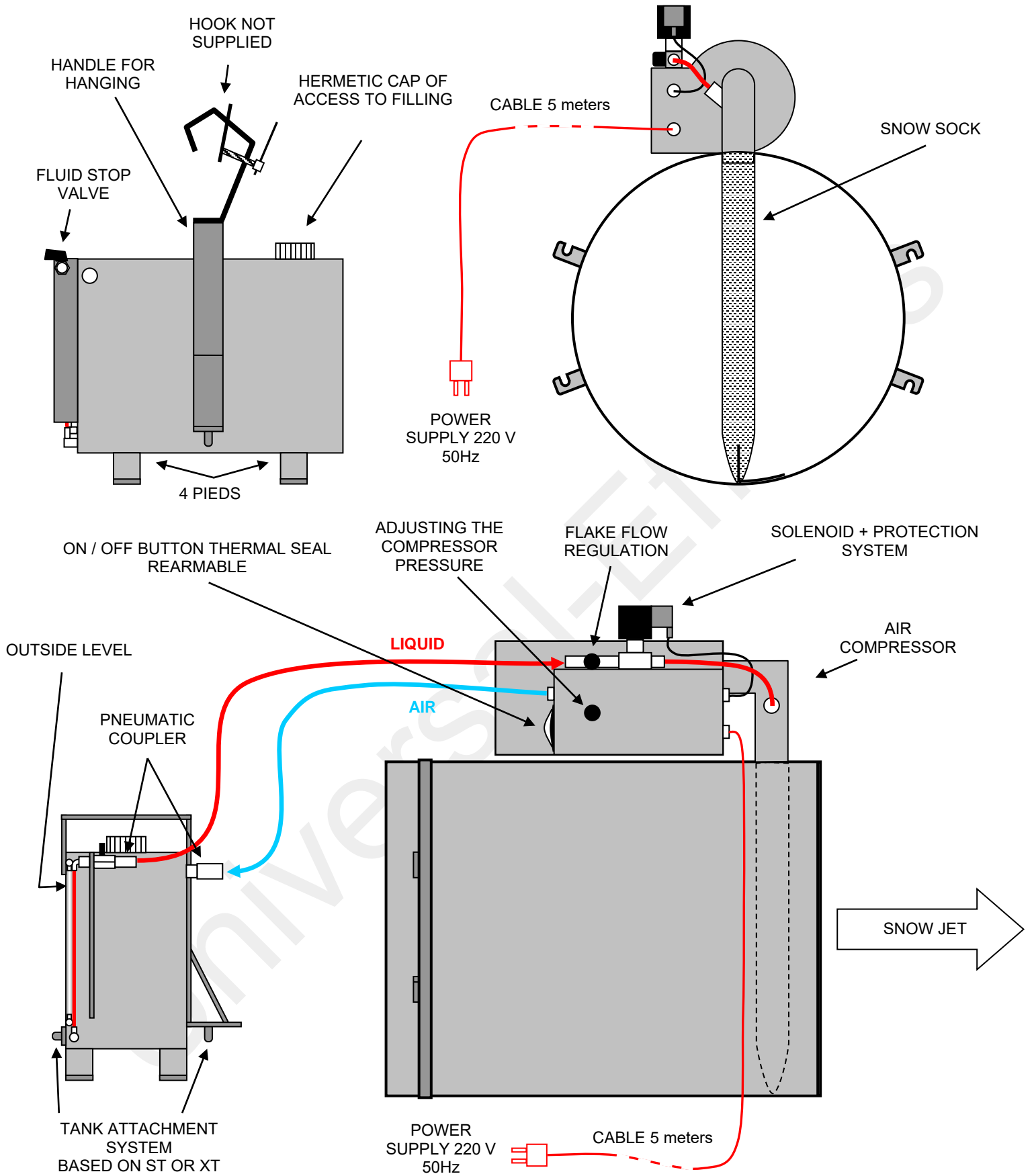


SCREWS AND HARDWARE IN STAINLESS – ALUMINIUM BODY – VERY POWERFUL

COMBINATIONS WITH UE ST- BASE 350 & 500



TECHNICAL DIAGRAM – UE HEAD SNOW

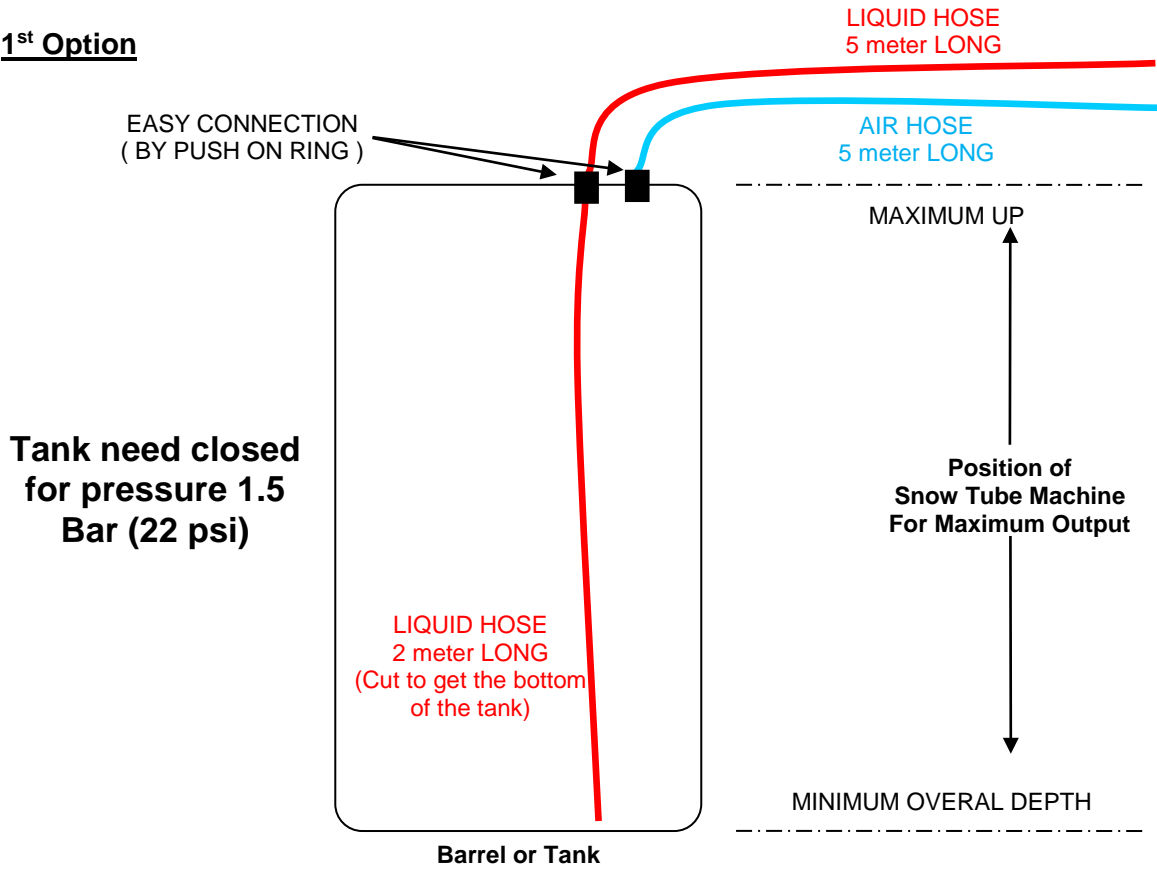


STAINLESS SCREWS & HARDWARE - ALUMINUM BODY



Kit Connection Snow Fluid Tank For Snow Tube

1st Option



2nd Option

