

# Creeper AQ Low Fog Generator USER MANUAL

**SHOWVEN®**

V1.0



**Creeper AQ PLUS**



**Creeper AQ**

Showven Technologies Co.,Ltd.

# Creeper AQ Low Fog Generator USER MANUAL

- ★ Please read this manual carefully before operating this product.
- ★ Warranty card attached in the manual, please keep it well.

## Safety Considerations

- » Unauthorized repair are prohibited, it may cause serious incident.
- » Make sure power supply in consistent with the rated voltage of the equipment, and the socket must well grounded. Unplug and turn off the machine when not use.
- » CREEPER AQ series machine can be used both indoor and outdoor, with better effect for indoor use. Please try to keep the machine dry.
- » Not use the machine in high temperature.
- » Installed in well ventilated area, ensure at least 50cm space around the machine, cover of the nozzle is forbidden.
- » For adult use only, keep it away from children, fire, inflammable and explosive articles.
- » If the machine fails to work, please stop operation and unplug the machine. Check fog fluid bottle, water tank, fuse, power connection etc. carefully, if can't solve the problem, please contact SHOWVEN or your local SHOWVEN partner for advise.
- » Suggest use SHOWVEN original FX-M fog fluid, other fluid may lead to clog or malfunction.
- » In case of eye contact of fog fluid, please wash it with clean water. If fluid is swallowed immediately look for medical advice.
- » Please do NOT adding any other material such as grease, pigment, gas etc to the fluid bottle or water tank.
- » The device shall not be altered and applied to other use purpose.

## Foreword

Thanks for choosing SHOWVEN CREEPER AQ series low fog generator. Please read following manual carefully and completely before operating this product. Operate according to instructions is very important for safety, and can elongate the service life of the machine.

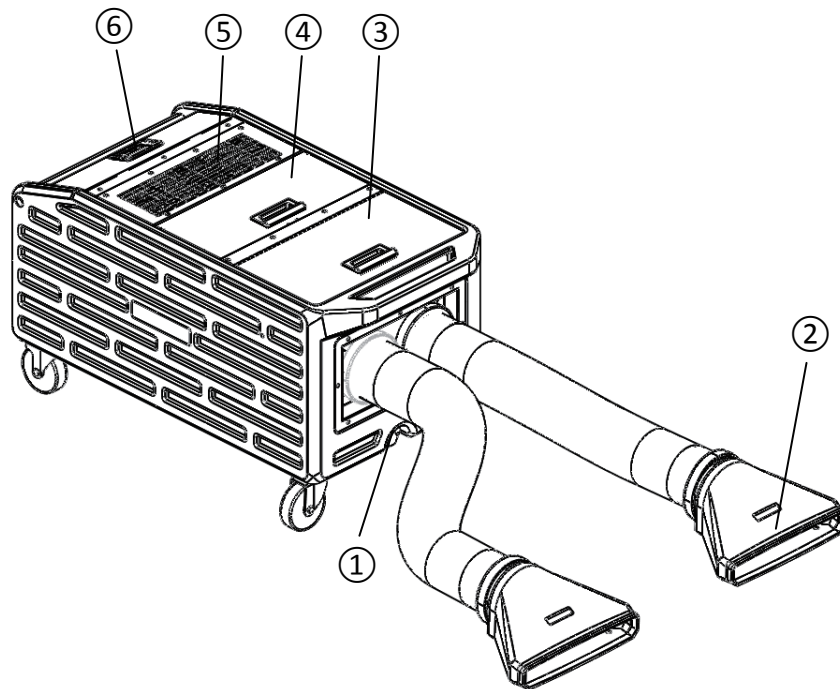
## Functional Characteristics

- \ Molded enclosure, lighter, durable as well as rustless.
- \ Multi-optimized air supply system, ensure farther and more uniform fog output.
- \ 40 heads atomizers, thicker fog output. (CREEPER AQ is 30 heads)
- \ Weather proof design
- \ Abrasion-resistant silent caster
- \ Latest rapid heating technology, 1-2min heating up time
- \ Adjustable fog density, moisture and fan speed, versatile application to meet different requirements
- \ Low-water sensor
- \ Patented fog leakage prevention technology, no fog leakage even refill the machine when it is working
- \ User friendly LCD control panel
- \ 3.3L fluid tank, support 2h continuous output.
- \ Advanced auto water refill system

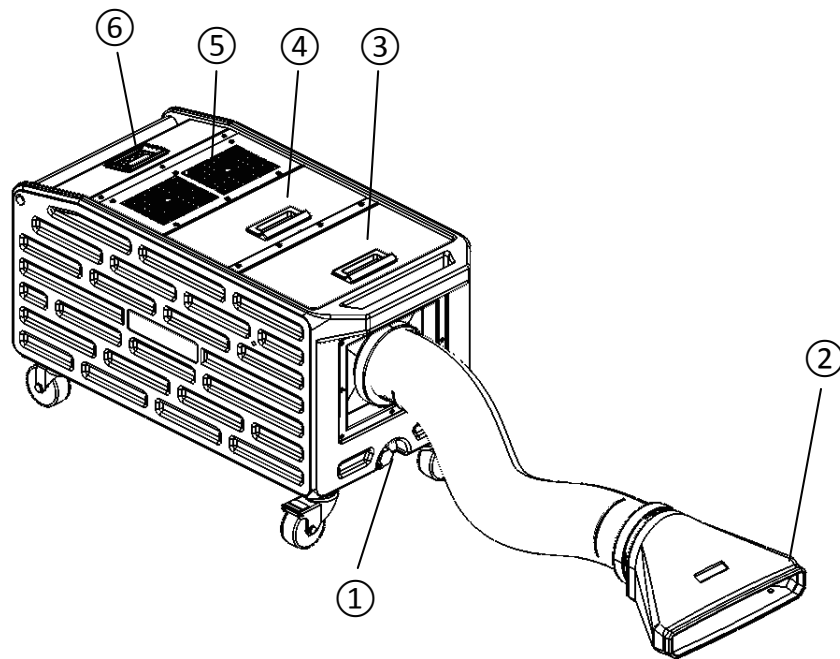
## Technical Specifications

\ Model	Creeper AQ PLUS	Creeper AQ
\ Dimension	950×500×540mm	805×390×480mm
\ Package size	1170×555×475mm	945×445×435mm
\ Voltage	AC200-240V, 50-60Hz AC100-120V, 50-60Hz	AC200-240V, 50-60Hz AC100-120V, 50-60Hz
\ Work Power	2500W	2000W
\ Heat-up Time	Appr. 1-2min	Appr. 1-2min
\ Fluid Tank Capacity	3.3L	3.3L
\ Water Tank Capacity	35L	24L
\ DMX-512	YES	YES
\ Remote control	YES	YES
\ Output Adjustable	1-100	1-100
\ Max. Fog Output	20,000 cfm/min	15000 cfm/min
\ Max. Coverage	Appr. 400 m <sup>2</sup>	Appr. 300 m <sup>2</sup>
\ Max. Fluid Consumption.	Appr. 32ml/min	Appr. 32ml/min
\ Max. Water Consumption	Appr. 500ml/min	Appr. 375ml/min
\ Continuous Output	YES	YES
\ Fully loaded Output Time	100+ min	100+ min
\ Consumable	FX-M Fog Fluid, Water	FX-M Fog Fluid, Water
\ Net Weight	48kg	35kg
\ Gross Weight	55kg	38kg

# Product Overview



**Creeper AQ PLUS**

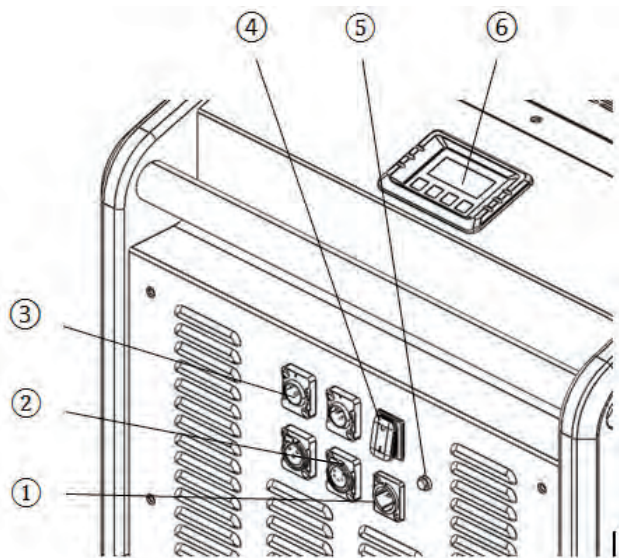


**Creeper AQ**

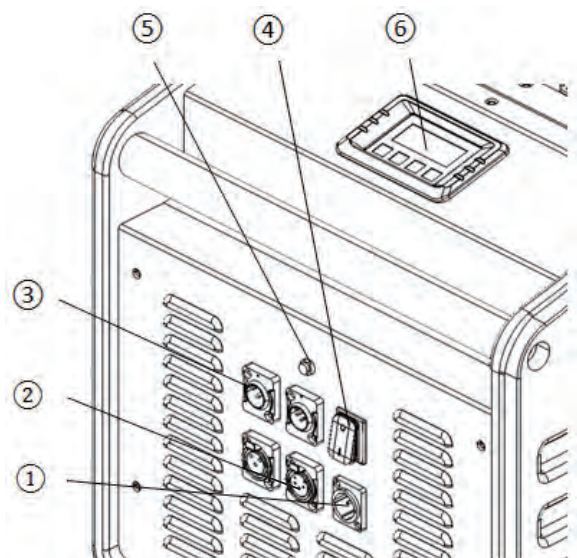
- ① Drain
- ② Fog Output Head
- ③ Water Tank
- ④ Fluid Tank
- ⑤ Fan
- ⑥ Control Panel



## Control Panel Overview



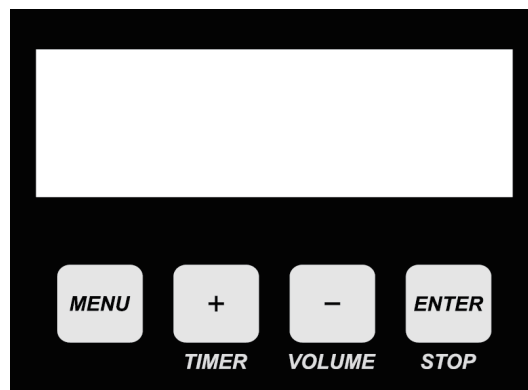
**Creeper AQ PLUS**



**Creeper AQ**

- ① Power Socket
- ② 5-Pin DMX IN/OUT
- ③ 3-Pin DMX IN/OUT
- ④ Power ON/OFF
- ⑤ Fuse
- ⑥ LCD Control Panel

## LCD Control Panel Operation



### a) LED display area

**MENU:** switch through setup menu;

**+:** Parameter up; multiplex "TIMER" (smoke output time)

**-:** Parameters down; multiplex "VOLUME" (smoke output start)

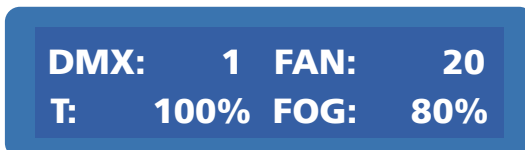
**ENTER:** confirm and save parameters (screen will blink once when save successfully); multiplex "STOP".

**NOTE:** Screen will switch to main interface automatically if not press any button in long time.

b) Main Interface

**First Line:** DMX address and Fan Speed, ":" blinks when there is DMX in signal.

**Second Line:** Shows machine core temperature and Fog Volume. The machine ready for operate when temperature value close to 100%.



c) Error Information

Error information	Explanation
E2 Temp. Sensor	Temp. Sensor Malfunction
E3 Water Sensor I	Low water level of Inner Water Tank, system is pumping water to inner water tank or liquid level sensor malfunction.
E4 Water Sensor O	Low water level of Outer Water Tank, need to feeding the water tank or liquid level sensor malfunction
E5 K Temp. Over	Circuit board malfunction
E6 Heat Fail	Heater broken or circuit board malfunction.

d) Setting Menu

Press "MENU" switch through setup menu.

Items	Value	Explanation
DMX Address	1~512	DMX address setup
Interval Set	5-600	Set fog output interval
Duration Set	5-600	Set fog output duration
Fog Volume Output	1-100%	Fog output volume setup
Fan Speed	1-100%	Fan speed setup
Wireless Set	ON / OFF	Wireless function set
语言(Language)	中文/English	Language switch
Manual Drainage	ON / OFF	Drainage ON/OFF, when need to drain the water in outer water tank, please turn it on, water in outer tank will pump into inner tank, and drain.

# Operation

- ① Check the machine and accessories, ensure it is in good status. Place the machine on a flat surface, tilting may result in inaccurate water level alarm.
- ② Fill the liquid tank with FX-M Pro medium fog fluid. Please use original fog fluid from SHOWVEN, Warranty will be void if any other type fog fluid is used.
- ③ Connect the machine to suitable rated power supply. Please ensure power supply meets the requirement. Always connect the machine to a protected circuit and ensure it is properly grounded.
- ④ Turn on the machine, it heat up automatically, and shows "WARMING UP" on LCD screen.
- ⑤ Fill the outer water tank with pure water until there is alarm of water shortage on LCD screen (E3, E4). Operator can also connect the machine to water supply with G1/6 pipe connector, machine will refill it automatically.
- ⑥ Once the machine has reached operating temperature, temp., fog output and fan speed will show on the screen, please adjustable it accordingly.
- ⑦ Press "+" to start making fog, press "ENTER" to stop.
- ⑧ To turn off the machine, please POWER OFF and unplug the power cable.
- ⑨ For transportation please drain the machine.

## DMX Control

### 2 channel mode

Channel	Function
First Channel (CH1)	Fog output: DMX VALUE 6-255, fog output from 1-100. As volume increase, the denser the fog, the longer for dissipate.
Second Channel (CH2)	Fan speed: DMX VALUE 6-255, fan speed from 1-100. As volume decrease, the better the fog stick to the ground but spread slower.

### 3 channel mode

Channel	Function
First Channel (CH1)	Fog output: DMX VALUE 6-255, fog output from 1-100
Second Channel (CH2)	Fan speed: DMX VALUE 6-255, fan speed from 1-100
Third Channel (CH3)	Ultrasonic atomizer QTY manual control: (0~127) atomizer QTY is 3 (CREEPER AQ is 2) (128~255) atomizer QTY is 4 (CREEPER AQ is 3)

## Wireless Control

Wireless control is used to remote control the machine. Before use the wireless function please make sure machine was ready, wireless status was ON, and no DMX cable connection.

Remote controller:

【A】 Fog output START

【B】 Fog output STOP

Remote control is optional configuration.

## Product Package

1. Creeper AQ or Creeper AQ PLUS Low Fog Generator x 1 unit
2. Power Cable x 1 piece
3. User Manual x 1 piece
4. Fog Vent and Head x 1 piece (Creeper AQ) or 2 pcs (Creeper AQ PLUS)

## Possible reason for fluid spill and block of atomizer

For healthy and best status of machine, please do use SHOWVEN original fog fluid.

A. Fluid spill: heat can't effectively transmit to fog fluid, leads to insufficient atomization of the fog fluid in the heating pipe.

Possible reason 1: Use low quality fog fluid. The impurities in low quality fog fluid easily adhere to the pipe inner wall, which blocks temp. transmission, leads to insufficient atomization.

Possible reason 2: Use inappropriate fog fluid. For different types of fog fluid, the atomization temperature is different.

B. Heating aluminum pipe clog: early symptom for heating aluminum pipe clog is fog fluid spill caused by insufficient atomization. Use other brand fluid or not make regular maintenance for a long time will definitely leads to pipe clog.

C. Solution for above problem: Use SHOWVEN original fog fluid. Make regular maintenance (every 1-2 month). Use 35% vinegar with 65% distilled water to wash the pump and pipe system by running the machine 10-15 times.

# Warranty Instructions

- ▲ Sincere thanks for your choosing CREEPER AQ series low fog generator, you will receive quality service from us.
- ▲ The product warranty period is one year. If there are any quality problems within 7 days after shipping out from our factory, we can exchange a brand new same model machine for you.
- ▲ We will offer free of charge maintenance service for machines which with hardware malfunction (except for the instrument damage caused by human factors)in warranty period. Please don't repair machine without factory permission.

★ **Below situations NOT included in warranty service:**

1. Damage caused by improper transportation, usage, management, and maintenance, or damage caused by human factors;
2. Disassemble, modify or repair products without Showven's permission;
3. Damage caused by external reasons (lightning strike, power supply etc);
4. Damage caused by improper installation or use;

For product damage not included in warranty range, we can provide paid service.

★ **Invoice and warranty card are necessary when applying for maintenance service from SHOWVEN.**

## Warranty Card

Product Name:		Serial No.	
Purchase Date:			
Tel:			
Address:			
Problem Feedback:			
Actual Problem:			
Maintenance Detail:			
Service Engineer:		Service Date:	

# SHOWVEN®

PREMIUM FACTORY SAS - DISTRIBUTEUR OFFICIEL  
1 Route Neuve, 71710 MONTCENIS - FRANCE  
Office +33 805 69 13 27 | +33 608 630 452  
[info@premiumfactory.eu](mailto:info@premiumfactory.eu) | [www.premiumfactory.eu](http://www.premiumfactory.eu)