

# **USER MANUAL**

## **SONICBOOM® JET**

V1.0

2023/05/16



**Showven Technologies Co., Ltd.**



Thanks for choosing SHOWVEN SONICBOOM JET, we wish it will bring you lots of exciting moments.

Please read the following manual carefully before operating this product.

## Δ SAFETY CONSIDERATIONS

- ∨ Unauthorized repair are prohibited, it may cause serious incident
- ∨ This product is not waterproof design, please keep it dry, please do not use it when there are fog fluid leakage or wet from rain.
- ∨ Make sure power supply in consistent with the rated voltage of the equipment, and the socket must well grounded. Unplug and turn off the machine when not use.
- ∨ For adult use only, keep it away from fire, inflammable and explosive articles.
- ∨ Installed in well ventilated area, ensure at least 50cm space around the machine, cover of the nozzle is forbidden.
- ∨ If the machine fails to work, please stop operation and unplug the machine. Check fog fluid, fuse, power connection etc. carefully, if can't solve the problem, please contact SHOWVEN® or your local SHOWVEN® partner for advice.
- ∨ Suggest use SHOWVEN® original FX-S / FX-M fog fluid, other fluid may lead to clog or malfunction. Please do not adding any other material such as pigment, water etc. to the fuel tank.
- ∨ If need to install SONICBOOM® JET in invert direction, please place the machine on it's side, then swap the top and bottom fluid tank lid. Check liquid level, make sure the fog fluid won't leak from tank port when turn machine to sideway.
- ∨ In case of eye contact of fog fluid, please wash it with clean water. If fluid is swallowed immediately look for medical advice.

## Δ Description

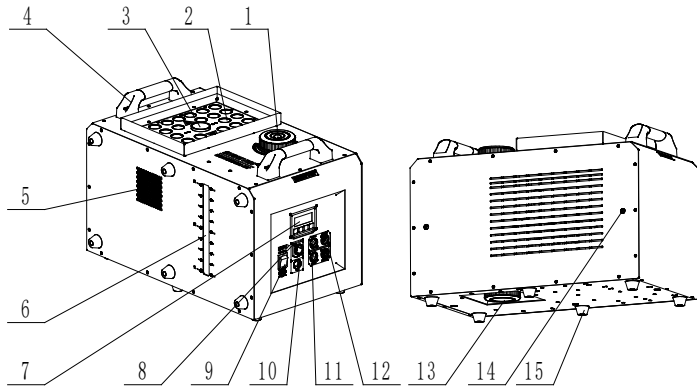
SONICBOOM® JET is a revolution CO<sub>2</sub> jet simulator with stronger burst and massive instant fog output up to 15m. SONICBOOM® JET simulate traditional CO<sub>2</sub> jet to the greatest extent through our patented supercharging technology, which ensure much faster burst and higher effect than existing smoke jet product on market.

## Δ Technical Specifications

- ∨ **MODEL:** SONICBOOM® JET
- ∨ **DIMENSION:** 546×331×372mm
- ∨ **WEIGHT:** 37kg
- ∨ **VOLTAGE:** 220V / 110V,50/60Hz
- ∨ **FUSE:** 15A/250V (220V), 20A/250V (110V)
- ∨ **POWER:** 3000W/1800W(220V),2400W/1800W(110V)
- ∨ **LED POWER:** 9W×30pcs
- ∨ **MAX OUTPUT DISTANCE:** 15m

- \ **MAX CONTINUOUS OUTPUT DURATION:** 6s
- \ **HEATING UP TIME:** 13min for 220V standard power mode (low power mode and 110V version takes longer time to heat up)
- \ **OUTPUT:** 150000cuft/min
- \ **FLUID CONSUMPTION RATE:** 1.1min/L
- \ **BUILT-IN TANK CAPACITY:** 6L
- \ **DMX CHANNEL:** 1/11/14
- \ **CONSUMABLES:** FX-S, FX-M

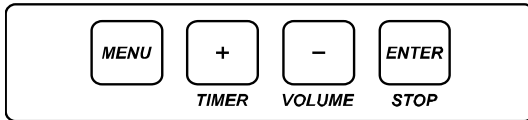
**Δ Structure**



1. Top Fluid Tank Lid
2. LED
3. Output Nozzle
4. Handle
5. Cooling Fan
6. Liquid Level Window
7. LCD Screen
8. Power IN Socket
9. Power Switch
10. Fuse
11. 5-PIN DMX
12. 3-PIN DMX
13. Bottom Fluid Tank Lid
14. Safety Loop Hole
15. Foot

## Δ Operation Panel

### 1. Control button area



**MENU:** Short press to switch interface, press and hold for 3 seconds can switch to the advanced setup interface

**+:** Parameters up; multiplex "TIMER" (smoke output time)

**-:** Parameters down; multiplex "VOLUME" (smoke output start)

**ENTER:** Confirm and save parameters, screen will blink once when save successfully. multiplex "STOP".

**NOTE:** Screen will switch to main interface automatically if not press any button in about 15s.

Example of "TIMER" setting function in the menu:

1. "set interval 30s"

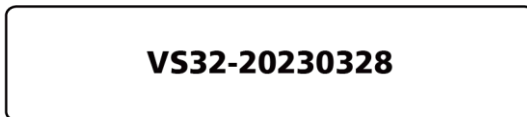
2. "set duration 1s"

Press "VOLUME" button under main interface, SONICBOOM<sup>®</sup> start to generate smoke, and will repeat firing 1s, interval of 30s. Press "STOP" to stop the machine.

**NOTE:** Manual function disabled when DMX connected.

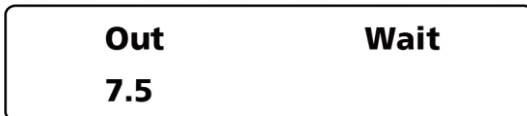
## Δ Interface

### 1. Welcome Interface



Display product model and software version.

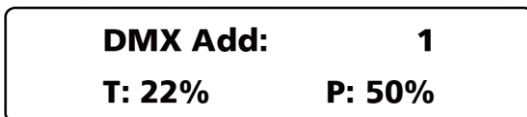
### 2. Cycle Firing Interface



**First line:** Status

**Second line:** Countdown to next firing.

### 3. Main interface:



**First line:** Display DMX address is "1". ":" blinks when there is DMX IN signal.

**Second line:** Shows machine core temperature and pressure. The machine ready for operate only when both temperature and pressure value close to 100%.

#### 4. Error information

Error information	Explanation
E0 System IC	Pressure faults, no fog fluid or pump error
E2 K temp. Sensor	Temperature sensor fault
E5 Temp Over	Circuit fault
E6 Heat Fail	Heating element damage or circuit fault or unstable voltage

#### E0 System IC

In order to protect pump, SONICBOOM® JET with fuel detect function. When there is no fog fluid, system can't reach target pressure in the setting time after turn on machine, pump will stop working and report E0. After machine report E0 please check the fluid tank, fill it and restart the machine to clear error information.

#### 5. Setting Menu

Press "MENU" switch through setup menu.

Options	Range	Default	Explanation
Set DMX Address	1~512	1	Set DMX address
Power Set	Standard / Low Power	Standard Power	Setting working power for the machine
Color Optional	OFF/Red/Green/Blue/Pink/Purple/Orange/Yellow/Skyblue/White /Rand	OFF	LED color set when manual firing
Channel Mode	1 / 11/ 14	11	Channel mode switch
LED Delay	0-30	5	LED delay after smoke output stop, 5 means 0.5s. Available only under single channel mode.

#### 6. Advanced Menu

Press and hold "MENU" for 3s, enter advanced setting interface. Press and hold "MENU" 3s back to main interface.

Options	Range	Default	Explanation
Drive Test	Relief/Priming/Pump/Reflux/OFF	OFF	Test the related hardware working status
Interval Set	1-200	30	Interval time
Duration Set	1-8s	1s	Smoke output duration
Wireless Remote	ON/OFF	OFF	Reserved, no function
Language	Chinese/English	English	Language switch
Pump Timeout	15-30s	21s	Pump stop working after pressurize the setting time here.

## Δ DMX Control

There are three DMX channel mode for SONICBOOM® JET, single channel mode, 11 channel mode and 14 channel mode switchable.

### Single channel mode

Fog output and LED color controlled in the same channel.

DMX value	Function
0-5	FOG OFF
6-40	FOG ON – LED OFF
41-60	FOG ON - RED
61-80	FOG ON – GREEN
81-100	FOG ON – BLUE
101-120	FOG ON - PINK
121-140	FOG ON – PURPLE
141-160	FOG ON – ORANGE
161-180	FOG ON – YELLOW
181-200	FOG ON – SKY BLUE
201-220	FOG ON – WHITE
221-235	FOG ON - RANDOM
236-255	FOG ON – LED OFF

### 11 channels mode

Channels	Function
Channel 1	<b>Fog ON/OFF:</b> (0-5) OFF, ( 10-255) ON
Channel 2	<b>Inner LED RED:</b> (0-9) OFF, (10-255) LED brightness increase
Channel 3	<b>Inner LED GREEN:</b> (0-9) OFF, (10-255) LED brightness increase
Channel 4	<b>Inner LED BLUE:</b> (0-9) OFF, ( 10-255) LED brightness increase
Channel 5	<b>Outer LED RED:</b> (0-9) OFF, (10-255) LED brightness increase
Channel 6	<b>Outer LED GREEN:</b> (0-9) OFF, (10-255) LED brightness increase
Channel 7	<b>Outer LED BLUE:</b> (0-9) OFF, (10-255) LED brightness increase
Channel 8	<b>LED Random:</b> (0-9) OFF, (10-255) LED random color, use together with channel 9.
Channel 9	<b>LED color change speed:</b> (0-9) OFF, (10-255) LED color change speed increase
Channel 10	<b>LED strobe:</b> (0-9) OFF, (10-255) LED strobe increase
Channel 11	<b>LED dimmer:</b> (0-9) OFF, (10-255) LED brightness increase

### 14 channels mode

Channels	Function
Channel 1	<b>Fog ON/OFF:</b> (0-5) OFF, ( 10-255) ON
Channel 2	<b>Inner LED RED:</b> (0-9) OFF, (10-255) LED brightness increase
Channel 3	<b>Inner LED GREEN:</b> (0-9) OFF, (10-255) LED brightness increase
Channel 4	<b>Inner LED BLUE:</b> (0-9) OFF, ( 10-255) LED brightness increase
Channel 5	<b>Inner LED AMBER:</b> (0-9) OFF, ( 10-255) LED brightness increase

Channel 6	<b>Outer LED RED:</b> (0-9) OFF, (10-255) LED brightness increase
Channel 7	<b>Outer LED GREEN:</b> (0-9) OFF, (10-255) LED brightness increase
Channel 8	<b>Outer LED BLUE:</b> (0-9) OFF, (10-255) LED brightness increase
Channel 9	<b>Outer LED AMBER:</b> (0-9) OFF, (10-255) LED brightness increase
Channel 10	<b>LED Random:</b> (0-9) OFF, (10-255) LED random color, use together with channel 9.
Channel 11	<b>LED Random (inner LED change color):</b> (0-9) OFF, (10-255) LED random color
Channel 12	<b>LED color change speed:</b> (0-9) OFF, (10-255) LED color change speed increase
Channel 13	<b>LED strobe:</b> (0-9) OFF, (10-255) LED strobe increase
Channel 14	<b>LED dimmer:</b> (0-9) OFF, (10-255) LED brightness increase

## Δ Operation Guide

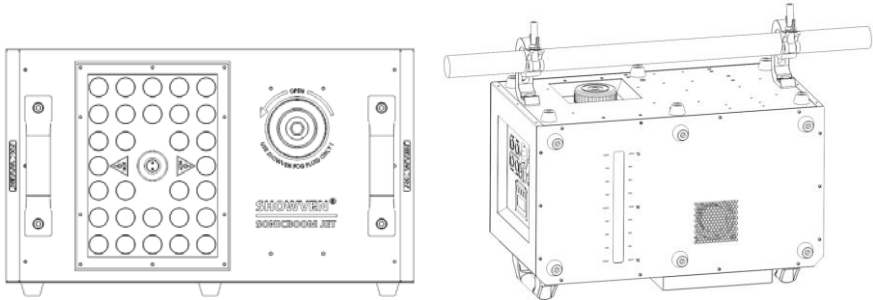
### 1. Installation

SONICBOOM<sup>®</sup> JET can be installed in any direction even upside down. But please watch out for the fog fluid leakage from the top fluid tank lid.

For sideways installation as below, please make sure the fog fluid level not exceed 4.5L, otherwise there will be fog fluid flow out from top fluid tank lid.

For upside-down installation, please place the machine in sideways first (the remaining fog fluid should be less than 4.5L), interchange the top fluid tank lid and the bottom fluid tank lid.

For safety, hanging installation should install safety rope.



### 2. Fill the machine

Fill the fluid tank with fog fluid.

For best effect please use SHOWVEN<sup>®</sup> original fluid FX-S or FX-M. Improper use of fluid will lead to machine malfunction. Warranty will be void if any other type of fog fluid is used.

### 3. Power ON SONICBOOM<sup>®</sup> JET

Connect the machine to suitable rated power supply. Make sure power supply is consistent with the rated voltage of the equipment, and the socket must be well grounded.

Turn on the machine and allow it to heat up.

There are Standard power mode and Low power mode switchable, based on the power supply circumstance operator can switch the power mode in the menu. When in Low power mode the heating up time will be longer.

### 4. DMX setting

Set DMX address for each machine. Connect machines with DMX cable in series.

Suggest to plug in a DMX terminator into the DMX out in last unit of machine.

If operate manually, please disconnect DMX connection.



## 5. Firing

Once the machine has reached operating temperature, the LCD display will show "T: 100%" and P 100%. Now the machine is ready for operation.

Manual operation: Press the "- / VOLUME" to start generating fog, press "+ / STOP" to stop.

DMX control: please operate according to the DMX control table.

## 6. Power OFF and packing

After each show please turn off machine, allow it cool down before packing the machine.

Please empty the fluid tank and wash the pipe system with distilled water if not use the machine for a long period of time.

## Δ FAQ

### Fluid spill

Fluid spill because heat can't effectively transmit to fog fluid, leads to insufficient atomization of the fog fluid in the heating pipe.

Possible Reasons:

Use low quality fog fluid instead of SHOWVEN® original fog fluid.

Use inappropriate fog fluid. For different types of fog fluid, the atomization temperature is different.

### Heating block pipe clog

Early symptom for heating aluminum pipe clog is fog fluid spill caused by insufficient atomization.

Use other brand fluid or not make regular maintenance for a long time will definitely leads to pipe clog.

## Δ Maintenance

1. Use SHOWVEN® original fog fluid FX-S or FX-M.
2. Running the machine at least once per month.
3. Clean machine regularly avoid dust, liquid accumulate on the machine.
4. Whenever storage or not use the machine for a period of time, please use distilled water to wash the pipe system by filling the fluid bottle with distilled water and firing the machine several times.

## **Δ Warranty Instructions**

- \ Sincere thanks for your choosing our products, you will receive quality service from us
- \ The product warranty period is one year. If there are any quality problems within 7 days after shipping out from our factory, we can exchange a brand new same model machine for you
- \ We will offer free of charge maintenance service for machines which with hardware malfunction (except for the instrument damage caused by human factors) in warranty period. Please don't repair machine without factory permission

### **Below situations NOT included in warranty service:**

- \ Damage caused by use other type of fog fluid which is not from SHOWVEN<sup>®</sup> or SHOWVEN<sup>®</sup> authorized distributor.
- \ Damage caused by improper transportation, usage, management, and maintenance, or damage caused by human factors;
- \ Disassemble, modify or repair products without permission;
- \ Damage caused by external reasons (lightning strike, power supply etc.)
- \ Damage caused by improper installation or use;

For product damage not included in warranty range, we can provide paid service. Invoice is necessary when applying for maintenance service from SHOWVEN<sup>®</sup>.



# **SHOWVEN<sup>®</sup>**

**PREMIUM FACTORY SAS - DISTRIBUTEUR OFFICIEL**  
**1 Route Neuve, 71710 MONTCENIS - FRANCE Office**  
**+33 805 69 13 27 | +33 608 630 452**  
**[info@premiumfactory.eu](mailto:info@premiumfactory.eu) | [www.premiumfactory.eu](http://www.premiumfactory.eu)**