

United Compact Projection

Item Code : UFXPROJ-1

The United Compact Projection machine is a compact confetti and paper snow machine. Low noise and very reliable, with a powerful ventilation system, it is very easy to use. Working more particularly with rectangle or square stage confetti as well as with paper snow, it allows to carry out very targeted professional performances. Comes with a suction hose with handle.

NOMENCLATURE :

- 1 x United Compact Projection
- 1 x Suction hose 2m
- 1 x Power supply IEC 1.5m



TECHNICAL SPECIFICATIONS :

Size : Lg 94.7 x lg 38.3 x Ht 48.9 cm
Weight : 12.6 Kg

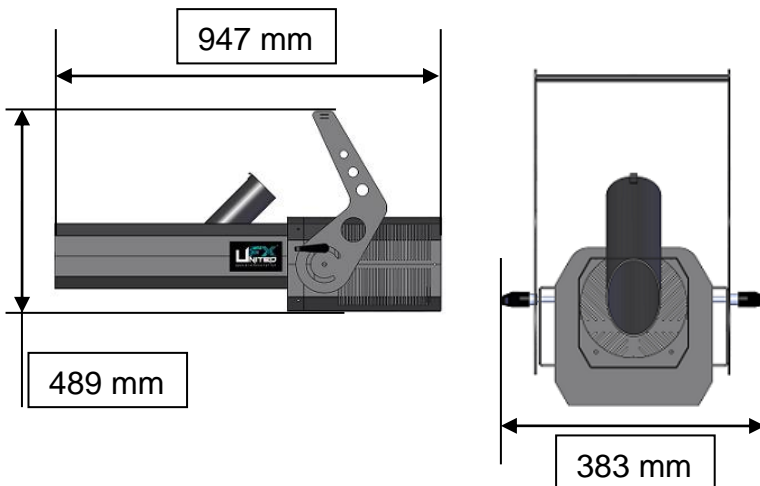
Electrical Specifications :
230V – 50/60Hz – 400W – 1.7A – IP 44 (Version Europe)
115V – 60Hz – 400W – 1.7A – IP 44 (Version US)

FEATURES :

IEC power supply

Delivered with a suction pipe of 2 meters equipped with a handle.

Projection of confetti from 8 to 10m.



CONSUMABLES :

Confetti of paper or metal scene.

Snow Paper or plastic.

Rose petal

OPTIONAL ACCESSORIES :

- UE Box Switch or Dimmer.
- UE Manual Tank.
- United Ground Foot FX

Made of STEEL, the United Compact Foam is built to last. Each element has been chosen for its quality and efficiency.

United FX, La Marque Simple et Extraordinaire Fabriqué en France